

# MICRO SWITCH

FREERPORT ILLINOIS, U.S.A  
A DIVISION OF HONEYWELL

FED. MFG. CODE 91929

# ACTUATOR-SWITCH

CATALOG LISTING

## JS-150

JS-150

M

DRAWING NUMBER

X

X

ISSUE

84

REPLACES

RELEASE NO. PR-2722

CHECK

REVISIONS

A MADE ETS

15 MAY 70

B PR-2722

19 JUN 72

C C079303

7 MAR 95

CHECK

CHECK

CHECK

CHECK

CHECK

CHECK

CHECK

CHECK

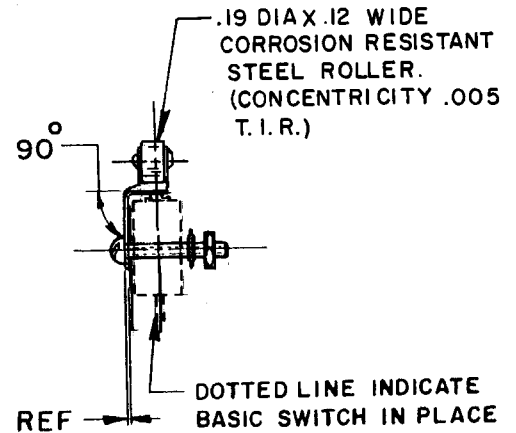
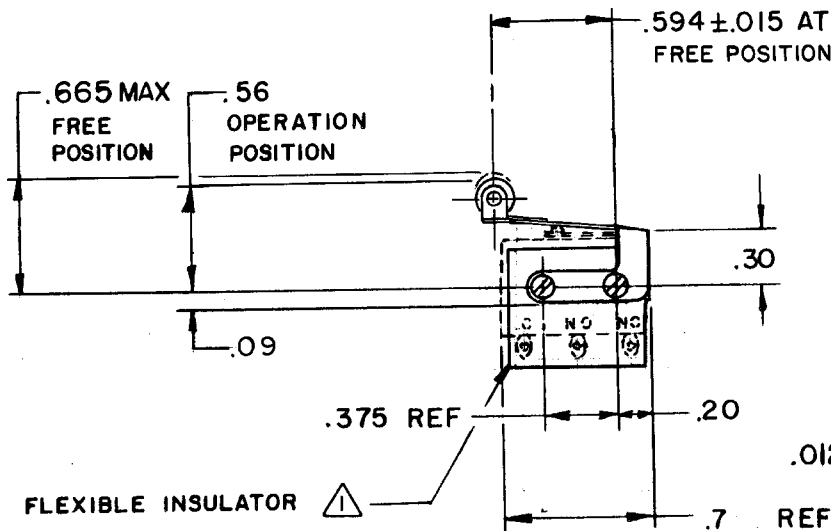
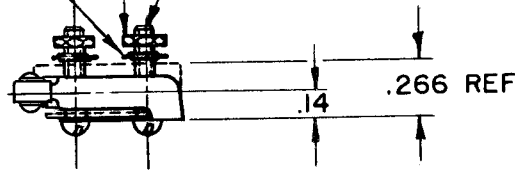
CHECK

CHECK

2-56 UNC CORROSION RESISTANT STEEL  
HEX NUT (2) <sup>1</sup>

CORROSION RESISTANT STEEL  
LOCKWASHER (2) <sup>1</sup>

2-56 UNC X .500 REF CORROSION RESISTANT  
STEEL ROUND HEAD MACHINE SCREW (2) <sup>1</sup>



NOTE -  
<sup>1</sup> - FURNISHED UNASSEMBLED  
<sup>2</sup> CHARACTERISTICS WITH IHM19 (MS27216-1)  
BASIC SWITCH INSTALLED

THIS DRAWING COVERS A PROPRIETARY ITEM AND IS THE PROPERTY OF MICRO SWITCH, A DIVISION OF HONEYWELL. THIS DRAWING IS NOT TO BE COPIED OR USED WITHOUT THE APPROVAL OF MICRO SWITCH.

### CHARACTERISTICS <sup>2</sup>

OPERATING FORCE	---	14 OZ MAX
RELEASE FORCE	---	2 OZ MIN
PRETRAVEL	---	.078 MAX
DIFFERENTIAL TRAVEL	---	.020 MAX
OVERTRAVEL	---	.014 MIN

### ELECTRICAL DATA

CONTACT ARRANGEMENT

### SCALE FULL

DO NOT SCALE PRINT

UNLESS OTHERWISE NOTED

DIMENSIONS ARE IN INCHES

TOLERANCES ARE:

ONE PLACE	(.0)	±.030
TWO PLACE	(.00)	±.015
THREE PLACE	(.000)	±.005
ANGLES		± 2°

WEIGHT