

MICRO SWITCH

A DIVISION OF MINNEAPOLIS-HONEYWELL REGULATOR COMPANY
 FREEPORT, MINNESOTA

FED. MFR. CODE 91929

ACTUATOR - SWITCH

CATALOG LISTING
ADT3723R

ADT3723R

M

DRAWING NUMBER

X2

ISSUE 34

REPLACES

RELEASE NO. SR 9486

CHECK

REVISIONS

A	SR 9486	K L B	15 FEB 61
B	CO 21727	M B F	29 AUG 66
C	CO79826	DLT	11 JAN 95

CHECK

18 JAN 61

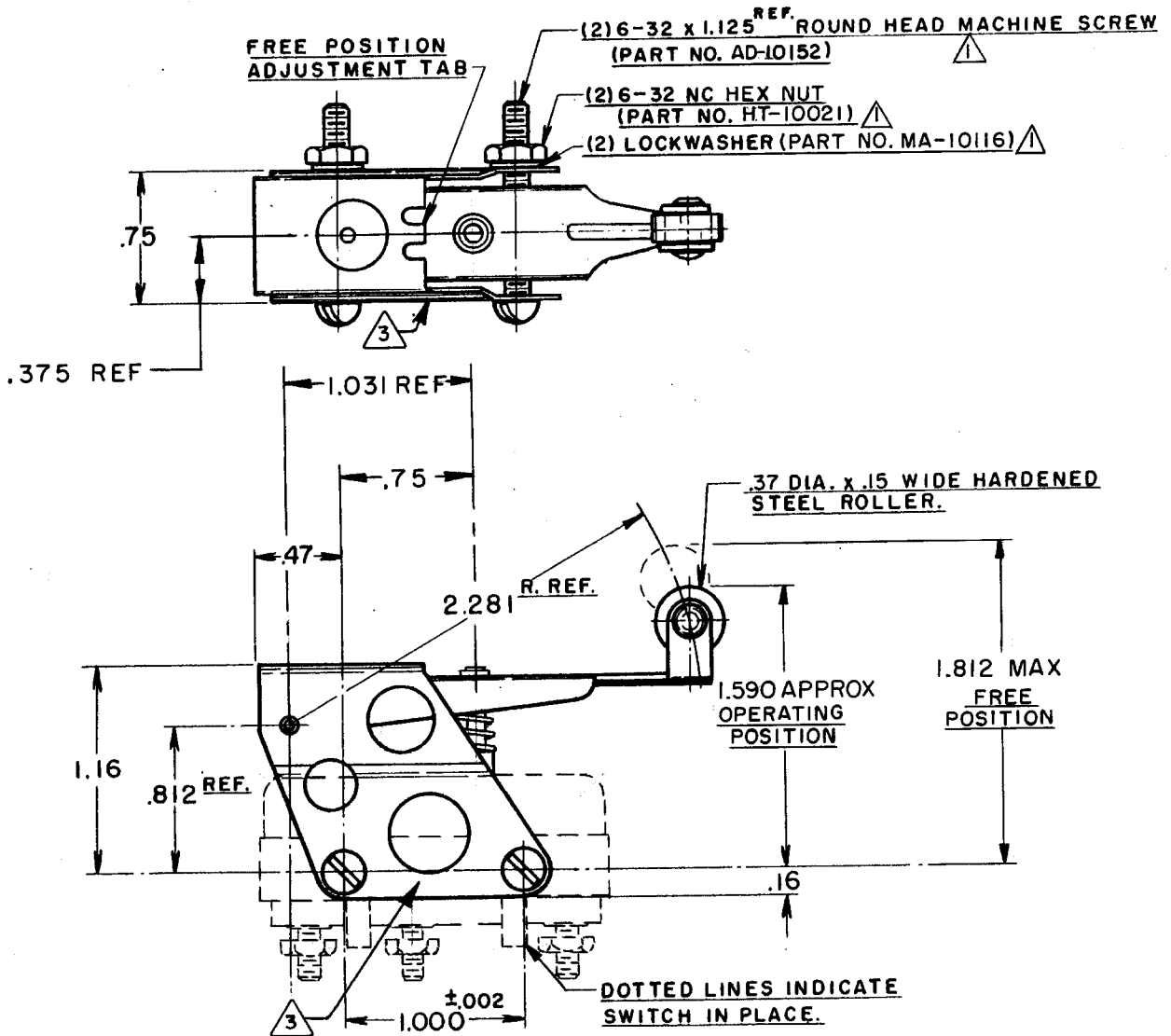
22 FEB 61

CHECK

18 JAN 61

DRAWN

FO-50378



THIS DRAWING COVERS A PROPRIETARY ITEM AND IS THE PROPERTY OF MICRO SWITCH, A DIVISION OF MINNEAPOLIS-HONEYWELL REGULATOR CO. THIS DRAWING IS NOT TO BE COPIED OR USED WITHOUT THE APPROVAL OF MICRO SWITCH.

CHARACTERISTICS WITH 2HT1 BASIC SWITCH INSTALLED

OPERATING FORCE	--- 1 1/2 LB MAX
RELEASE FORCE	--- 1/8 LB MIN
DIFFERENTIAL TRAVEL	--- .030 MAX
OVERTRAVEL	--- .375 APPROX

ELECTRICAL DATA

CONTACT ARRANGEMENT	BREAK DISTANCE
---------------------	----------------

SCALE FULL

DO NOT SCALE PRINT

UNLESS OTHERWISE SPECIFIED
 DIMENSIONS ARE IN INCHES
TOLERANCES ARE:
 ONE PLACE (.0) ±.030
 TWO PLACE (.00) ±.015
 THREE PLACE (.000) ±.005
 ANGLES ±

WEIGHT