

MICRO SWITCH

FREEPORT ILLINOIS, U.S.A
A DIVISION OF HONEYWELL

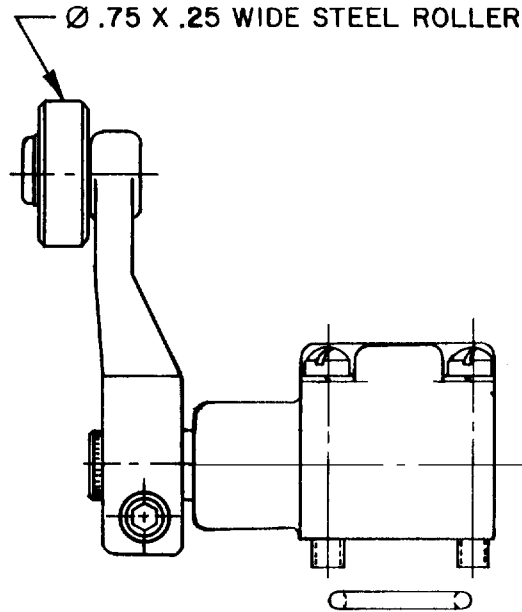
FED. MFG. CODE 91929

PACKET

CATALOG LISTING

9PA55

CATALOG LISTING		9PA55		PAGE 1 OF 1		RELEASE NO. PR-1976		REPLACES	
ISSUE		5		M		CHECK		CHECK	
REVISIONS		A PR-1976		R C 20 JULY 71		B CO 70394-B DAW 21 AUG 91		C 0001525 CSL 19 SEP 03	
DRAWN		R C R 20 JULY 71		CHECK L.S.D.		CHECK 22 JUL 71		CHECK	
3-50378-1A		R C R 20 JULY 71		CHECK		CHECK		CHECK	



NOTE -

- 1- SEAL RING FURNISHED UNASSEMBLED WITH PACKET
- 2- UNIT DESIGNED TO WITHSTAND TEMPERATURE OF 250° F

THIS DRAWING COVERS A PROPRIETARY ITEM AND IS THE PROPERTY OF MICRO SWITCH, A DIVISION OF HONEYWELL. THIS DRAWING IS NOT TO BE COPIED OR USED WITHOUT THE APPROVAL OF MICRO SWITCH.

CHARACTERISTICS

ELECTRICAL DATA

SCALE

CONTACT ARRANGEMENT

DO NOT SCALE PRINT

UNLESS OTHERWISE NOTED
DIMENSIONS ARE IN INCHES

TOLERANCES ARE:

ONE PLACE	(.0)	±.030
TWO PLACE	(.00)	±.015
THREE PLACE	(.000)	±.005
ANGLES		±

WEIGHT