

MICRO

MAKERS OF PRECISION SWITCHES
A DIVISION OF MINNEAPOLIS-HONEYWELL REGULATOR CO.
FREEPORT, ILLINOIS, U. S. A.

SWITCH-ACTUATOR

CATALOG LISTING

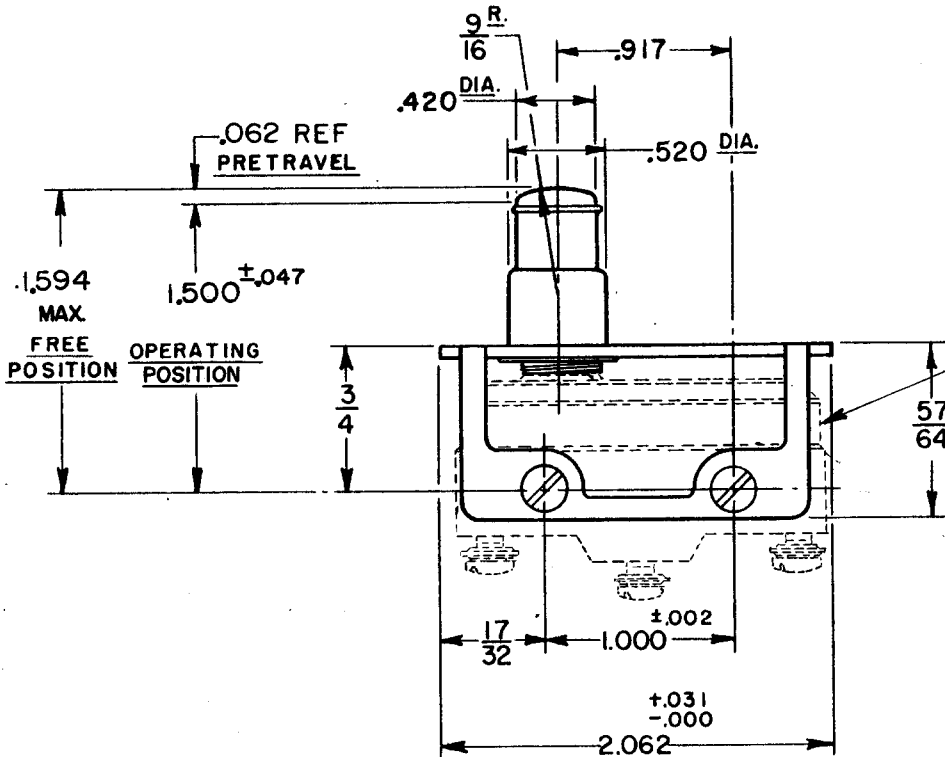
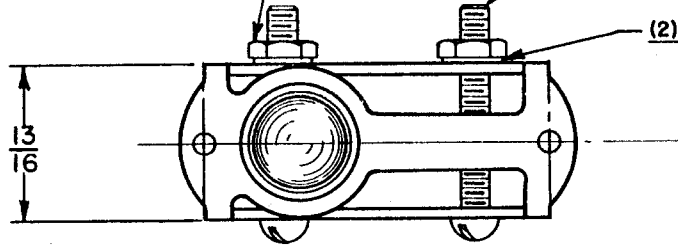
MD2721

FED. MFR. CODE 91929

(2) 6-32 UNC X $1\frac{1}{8}$ LONG ROUND
HEAD MACHINE SCREWS

(2) 6-32 UNC ST'D HEX. NUTS

(2) LOCKWASHERS



NOTE -

- ① NUTS, SCREWS, AND LOCKWASHERS ARE FURNISHED UNASSEMBLED.
- ② SWITCH WILL PERFORM SATISFACTORILY IN TEMPERATURE TO MINUS 65° F.

THIS DRAWING COVERS A PROPRIETARY ITEM AND IS THE PROPERTY OF MICRO SWITCH, A DIVISION OF HONEYWELL. THIS DRAWING IS NOT TO BE COPIED OR USED WITHOUT THE APPROVAL OF MICRO SWITCH.

CHARACTERISTICS

OVERTRAVEL ----- .187 MIN.
FORCE AT FULL TRAVEL ----- 7 LBS. MAX.

ELECTRICAL DATA

CONTACT ARRANGEMENT BREAK DISTANCE

SCALE FULL

DO NOT SCALE PRINT
UNLESS OTHERWISE SPECIFIED:
DIMENSIONS ARE IN INCHES
TOLERANCES ARE
FRACTIONS $\pm 1/64$
DECIMALS $\pm .010$
ANGLES \pm
WEIGHT

MD2721

M

DRAWING NUMBER

10

ISSUE

18/4

REVISIONS

A	NEW DRAWING
	P. R. H.
	19 OCT 53
B	C09870
	J. P. S.
	15 JULY 54
C	C.09614
	W. H. B.
	24 MAY 55
D	CO-36836
	J. A. L.
	25 MAR 76
E	CO44130
	S. J. S.
	25 APR 78
F	CO 79303
	S. A. D.
	6 MAR 95

(M) MD2721
REPLACES ISSUE 8

RELEASE NO. 15 JUNE 53

CHECK C.N.T. 15 JUNE 53

CHECK BLS

CHECK 18 JUNE 53

CHECK F.R.N.

P. R. H. 19 OCT 53

DRAWN