

**MICRO SWITCH**  
a Honeywell Division

FED. MFG. CODE 91929

PACKET

CATALOG LISTING  
19PA184-NT

CATALOG LISTING

19PA184-NT

REPLACES

RELEASE NO. PR-20912



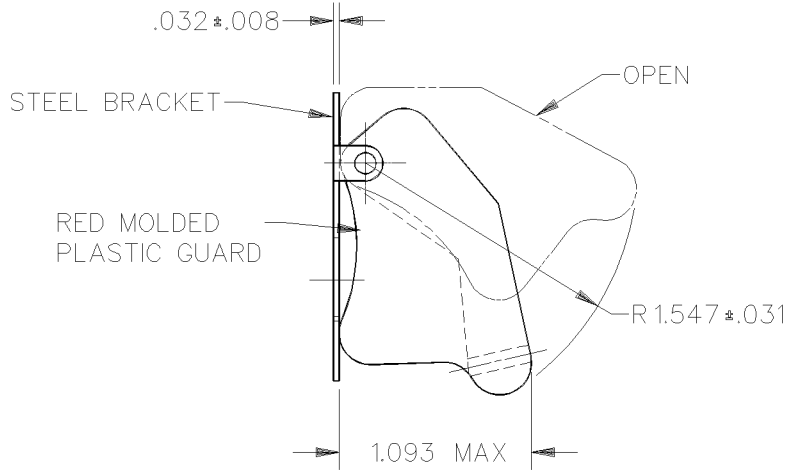
ISSUE

1

CHECK

REVISIONS

CHECK



ANSI Y14.5M-1982 APPLIES

THIS DRAWING COVERS A PROPRIETARY ITEM AND IS THE PROPERTY OF MICRO SWITCH, A DIVISION OF HONEYWELL. THIS DRAWING IS NOT TO BE COPIED OR USED WITHOUT THE APPROVAL OF MICRO SWITCH.

THIRD ANGLE PROJECTION



CHARACTERISTICS

ELECTRICAL DATA

SCALE FULL

DO NOT SCALE PRINT

CONTACT ARRANGEMENT

**UNLESS OTHERWISE SPECIFIED TOLERANCES ARE**

ONE PLACE (.0) ±.030

TWO PLACE (.00) ±.015

THREE PLACE (.000) ±.005

ANGLES ±

WEIGHT

DDM/CAD

DRAWN

CHECK

J A L 13 APR 94