

MICRO SWITCH
a Honeywell Division

FED. MFG. CODE 91929

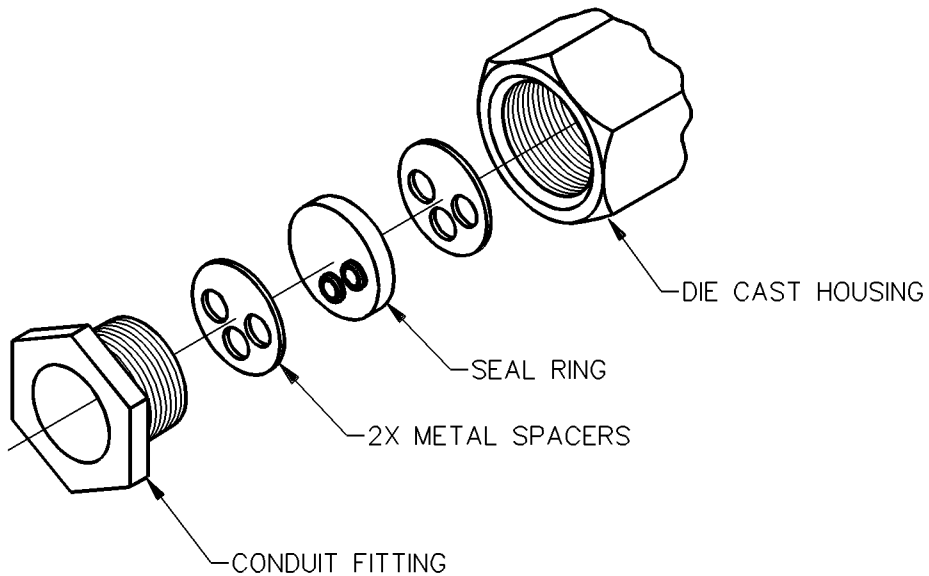
PACKET

CATALOG LISTING

2PA21

THIS DRAWING COVERS A PROPRIETARY ITEM AND IS THE PROPERTY OF MICRO SWITCH, A DIVISION OF HONEYWELL. THIS DRAWING IS NOT TO BE COPIED OR USED WITHOUT THE APPROVAL OF MICRO SWITCH.

CATALOG LISTING
M
2PA21
ISSUE
1
REPLACES
RELEASE NO. PR-20210
CHECK
CHECK
REVISIONS
CHECK
CHECK
DRAWN
S A V 18 AUG 92
DDM/CAD



NOTE
1 - FOR USE WITH NO. 14 STRANDED WIRE (O.D. .140)

THIRD ANGLE PROJECTION		
SCALE	NONE	
DO NOT SCALE PRINT		
UNLESS OTHERWISE SPECIFIED TOLERANCES ARE		
ONE PLACE	(.0)	±.030
TWO PLACE	(.00)	±.015
THREE PLACE	(.000)	±.005
ANGLES		±
WEIGHT		

ANSI Y14.5M-1982 APPLIES