

# MICRO SWITCH

A DIVISION OF MINNEAPOLIS-HONEYWELL REGULATOR COMPANY  
 FREEPORT, MASSACHUSETTS

FED. MFR. CODE 91929

# SWITCH - ACTUATOR

CATALOG LISTING

JX-25

5

JX-25

M

DRAWING NUMBER

8

7

X 6

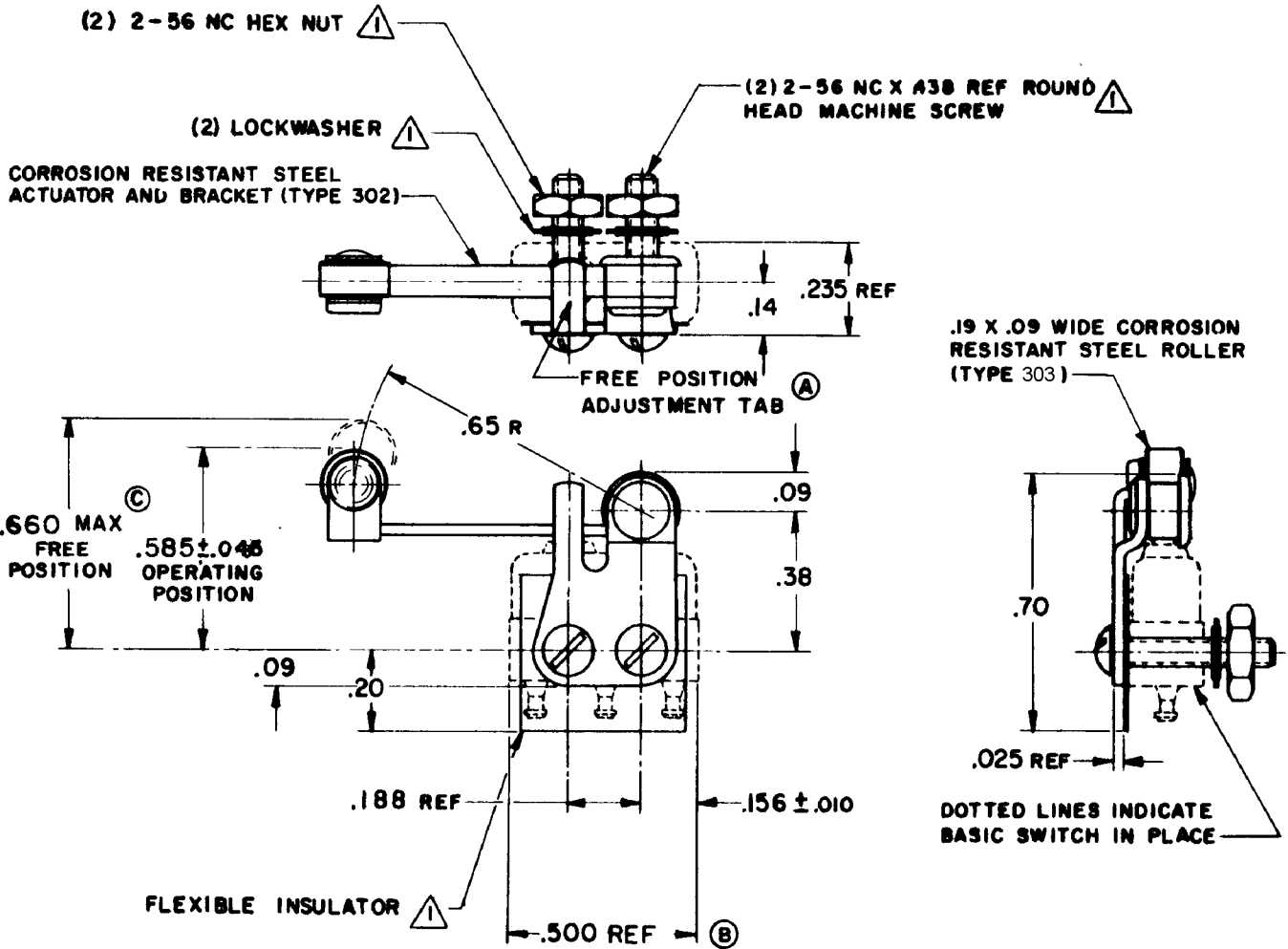
ISSUE

★

REVISIONS

A	SR 7916	13 NOV 58
B	CO14274	23 SEPT 58
C	CO14723	23 SEPT 58
D	CO47771	23 SEPT 58
E	CO74163	23 SEPT 58
F	0015428	22 APR 95

REPLACES  
 RELEASE NO. SR-7916  
 CHECK BLS 13 NOV 58  
 CHECK RED 23 SEPT 58  
 CHECK GCH 24 NOV 58  
 CHECK 14 SEP 05



CHECK RJ 14SEP05

THIS DRAWING COVERS A PROPRIETARY ITEM AND IS THE PROPERTY OF MICRO SWITCH, A DIVISION OF MINNEAPOLIS-HONEYWELL REGULATOR CO. THIS DRAWING IS NOT TO BE COPIED OR USED WITHOUT THE APPROVAL OF MICRO SWITCH.

CHARACTERISTICS WITH ISX1-T BASIC SWITCH INSTALLED

OPERATING FORCE	1.5 OZ MAX
RELEASE FORCE	4 GRAMS MIN
DIFFERENTIAL TRAVEL	.030 MAX
OVERTRAVEL	.020 MIN

ELECTRICAL DATA

CONTACT ARRANGEMENT      BREAK DISTANCE

SCALE 2 TO 1

DO NOT SCALE PRINT

UNLESS OTHERWISE SPECIFIED  
 DIMENSIONS ARE IN INCHES

**TOLERANCES ARE:**

ONE PLACE	(.0)	±.030
TWO PLACE	(.00)	±.015
THREE PLACE	(.000)	±.005
ANGLES		±

WEIGHT

FO-50378

R.E.R. 22 SEPT 58  
 CHECK GCH 24 NOV 58  
 CHECK 14 SEP 05