



40x40x28 mm

DC Axial Fan

FD 4028 24B 85T

PN: 200335



Specifications

Supply Voltage	VDC	24
Operating Voltage	VDC	12.0 ~ 27.6
Current	A	1.0 ± 10%
Power	W	2.4 ± 10%
Speed	RPM	8500 ± 10%
Airflow	CFM	> 11.45
Pressure	mmH2O	7.0
Sound Level	dBA	35
Operating Temp.	°C	-10 ~ +70
Optional Function	-	FG signal

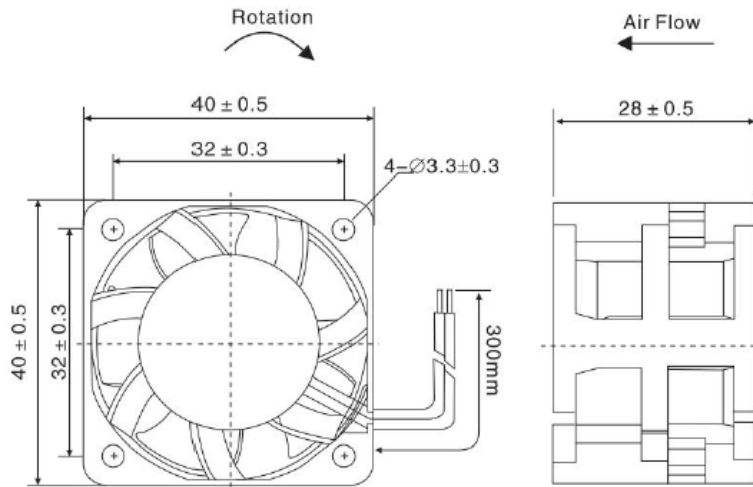
*: above specifications are subject to change without prior notice.

Technical Data		
Dimensions	mm	40x40x28
Impeller Material	-	PBT Black (UL94V-0)
Housing Material	-	PBT Black (UL94V-0)
Weight	g	48
Rotation Direction	-	Clockwise from label side
Bearing	-	Ball
Life	hrs.	50000
Lead Wire	-	3 wires (UL1007 26AWG, 300mm): Red "+"; Black "-"; Yellow "FG"

Environmental		
Operating Temp.	°C	-10 ~ +70
Storage Temp.	°C	-10 ~ +70
Humidity	%RH	35 ~ 85
Storage Humidity	%RH	35 ~ 85

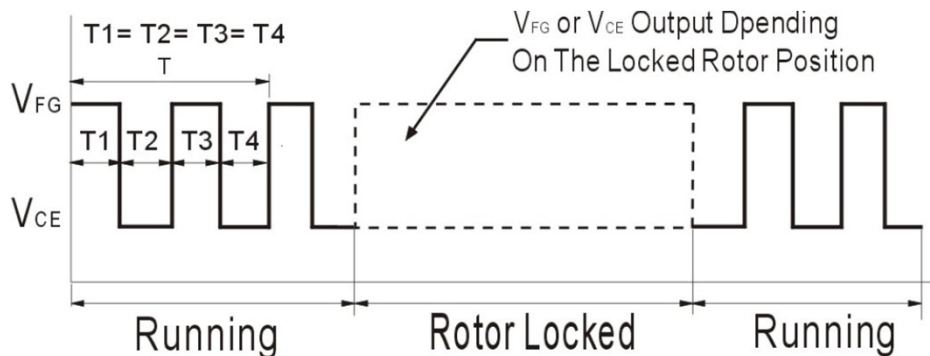
Electrical		
Insulation Resistance	Ohm	10M between unshielded lead wires and housing at 500 VDC.
Dielectric Strength	-	Withstand max. 5 mA @500VAC, 1min. Between both lead wires and housing.
Motor Protection	-	Circuit won't be burned within 5s when Vcc and GND are exchanged.
Optional Function	-	FG

Dimensions Drawing



Tacho Signal (FG output)

FG Output circuit: Open collect mode



$$N = \text{RPM};$$

$$T = 60/N \text{ (sec.)};$$

$$FG = 1/T \cdot 2 \text{ (Hz)};$$

$$N = FG \cdot 30$$

$$V_{FG} = V_{CC} = 5 \text{ VDC}$$

$$V_{CE}(\text{sat}) = 0.5 \text{ VDC (max.)}$$

Notes:

Open collector circuit, accepted voltage range is 2 ~ 24 VDC;

Choose the pullup resistor wisely (not too small) to avoid damage;

Do not make contact between FG signal wire and the "+" and "-" lead wires.

When Fan is locked, the FG signal output voltage is either V_{FG} or 0V (max. 0.5V).