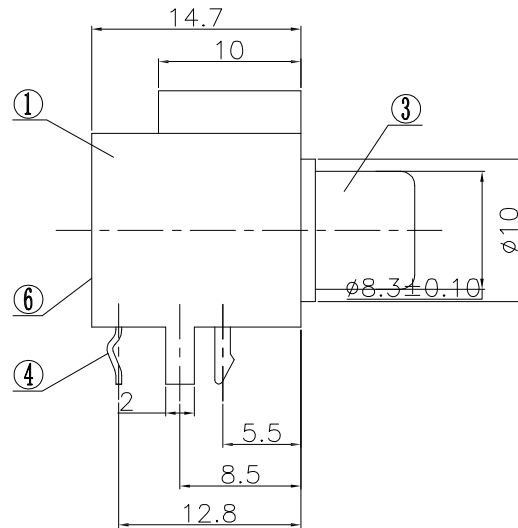
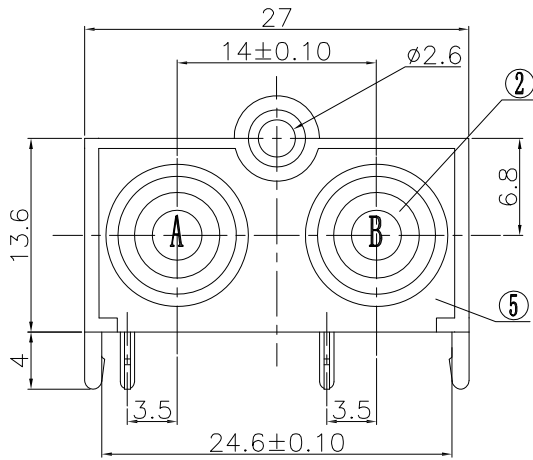


REVISIONS

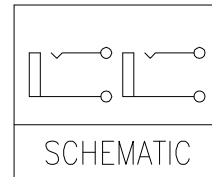
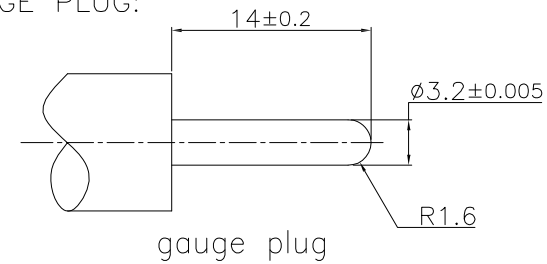
REV.LTR	DESCRIPTION	SIGN	DATE



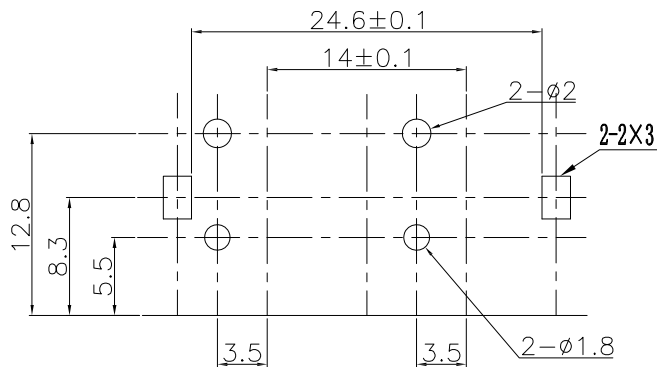
Specification of AV Pin Jack Board Series

1. Temperature:  $-40^{\circ}\text{C} \sim 70^{\circ}\text{C}$
2. Rated Load: DC50V 0.2A
3. Contact Resistance:  $\leq 0.03\Omega$
4. Insulation Resistance:  $\geq 100\text{M}\Omega$  DC500V
5. Withstand Voltage: AC500V(50HZ)/min
6. Insertion and Extraction Force: 3~25N
7. Life: 1000times

8. GAUGE PLUG:



COLOR TABLE			
NO	001	A	B
		WHITE	RED
002		A	B
		RED	WHITE



RECOMMENDED P.C.B LAYOUT  
 PCB TOP VIEW  
 TOLERANCE:  $\pm 0.05\text{mm}$   
 RECOMMEND P.C.B THICKNESS:  $t=1.6\text{mm}$

NO.	DESCRIPTION	MATERIAL	QTY.	REMARK
⑥	REAR COVER	ABS	1	Black
⑤	COVER PLATE	ABS	1	Black
④	PIN	H62 t=0.3	2	CuSn plated
③	OUT CONTACT1	H65 t=0.30	2	CuSn plated
②	WASHER	ABS	2	COLOR TABLE
①	HOUSING	ABS	1	Black

UNIT: MM	TYPE:	MODEL NO:	PAPER NO: A4	PAGE 1 OF 1
	RCA JACK	L-KLS1-RCA-604-N-YE-WH	TOLERANCE	ANGLES
			±0.3	±2°
			SCALE	VER
			FULL	2

DESIGNER BY:	NINGBO KLS ELECTRONIC CO.,LTD
CHECK BY:	
APPROVED BY:	