

DWG. IO.  
SD-35047-001

SIMILAR ITEM

PROJECT NO.

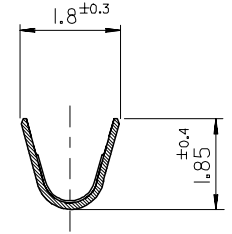
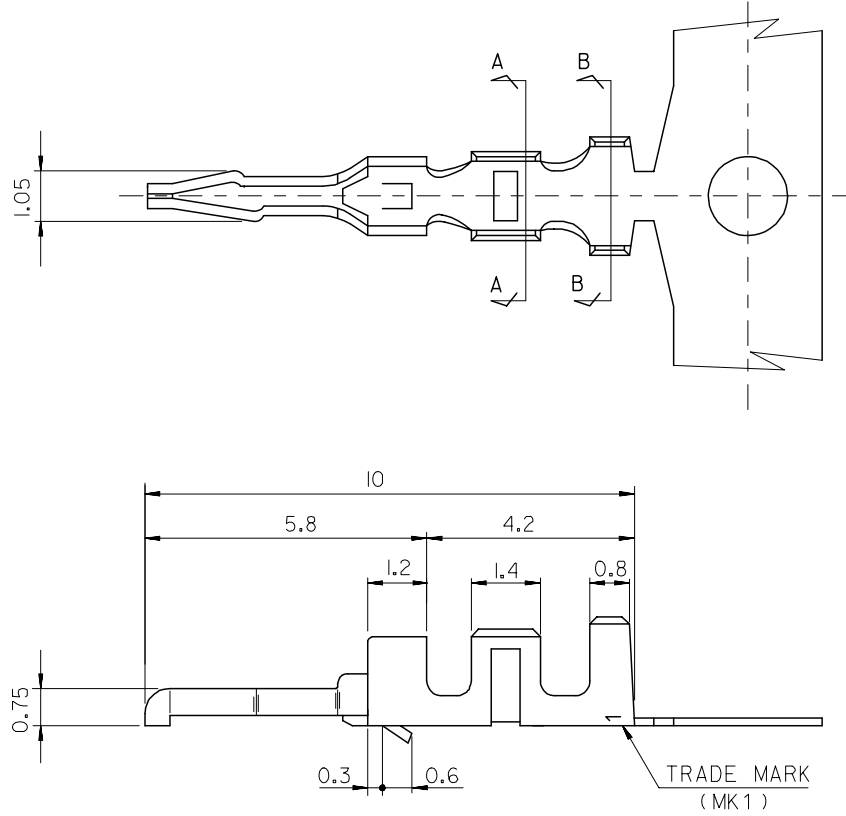
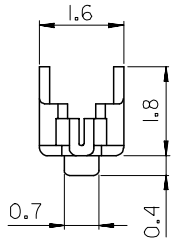
C

B

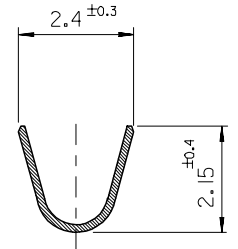
DO NOT SCALE DRAWING  
DIMENSION IN METRIC

- NOTE
- MATERIAL : BRASS
  - FINISHES
    - PRE-PLATING:TIN(Sn) 0.9µM MIN OVER Cu 0.5 µM MIN.
    - POST PLATING:TIN 1±3µM MIN OVER NI 1±3µM.
  - P.C BOARD HOLE :  $\varnothing 1.0^{+0.05}$
  - P.C BOARD THICKNESS : 1.6
  - USED WITH HOUSING:35164-\*\*\*0\*
  - PRODUCT SPECIFICATION : PS-35047-002

LEAD FREE



SECT. A-A



SECT. B-B

PRE-PLATING	350479802	35047-9802
POST-PLATING	350479810	35047-9810
PLATING	MAT'L NO.	ENG NO.

REVISED EC NO. KOR2005-0197 DRWN: D.Y. JANG (05/05/02) CHK: Y.SIK-KIM APPR: C.W.LEE	DESCRIPTION REV	QUALITY SYMBOLS MAJOR = CRITICAL =	GENERAL TOLERANCES: (UNLESS SPECIFIED)		SCALE 10/1	DESIGN UNITS <input checked="" type="checkbox"/> MM <input type="checkbox"/> INCH	THIRD ANGLE PROJECTION 	DIMENSIONS: <input type="checkbox"/> MM <input type="checkbox"/> INCH <input type="checkbox"/> MM <input checked="" type="checkbox"/> ONLY		SHT	REV
			mm	INCH	DRAWN BY & DATE D.J.KIM 93/12/6	TITLE: 2.5 BOARD IN CONN. TERMINAL -LEAD FREE-					
			4 PLACES	±0.	±.	CHECKED BY & DATE J.K.OH	MOLEX INCORPORATED KOREA				
			3 PLACES	±0.	±.	APPROVED BY & DATE C.W.LEE					
			2 PLACES	±0.3	±.	CAD FILENAME SD35047.DGN	MATERIAL NO. SEE TABLE	DRAWING NO. SD-35047-001	SHEET NO. 1 of 1		
			1 PLACE	±0.3	±.	THIS DRAWING CONTAINS INFORMATION THAT IS PROPRIETARY TO MOLEX INCORPORATED AND SHOULD NOT BE USED WITHOUT WRITTEN PERMISSION.					SIZE B
			ANGULAR: ± 2 °		DRAFT WHERE APPLICABLE MUST REMAIN WITHIN DIMENSIONS						

MX-A3