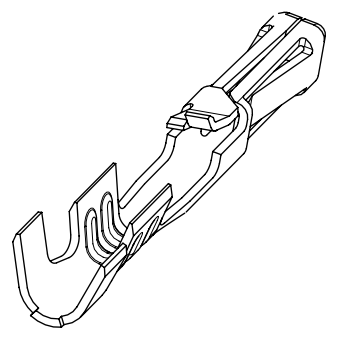


NOTES:

1. MATERIAL: PHOSPHOR BRONZE
2. PLATING:
  - 124 = SELECT BRIGHT TIN: 3.75 MICROMETERS MIN OVER NICKEL
  - 207 = SELECT HARD GOLD: 0.38 MICROMETERS MIN.  
SELECT TIN: 2.0 MICROMETERS MIN BOTH OVER NICKEL
  - 206 = SELECT HARD GOLD: 0.75 MICROMETERS MIN.  
SELECT TIN: 2.0 MICROMETERS MIN BOTH OVER NICKEL
  - P124 = PREPLATED OVERALL BRIGHT TIN: 3.75 MICROMETERS MIN OVER NICKEL  
(MAY HAVE UNPLATED EDGES)
3. PRODUCT SPECIFICATION: TERMINALS CONFORM TO PS-70058 AND PS-70400 WHEN CRIMPED WITH MOLEX CRIMP TOOLS.
4. COSMETIC SPECIFICATION: PS-45499-002 CLASS B
5. TERMINAL FOR USE WITH HOUSING SERIES 70066 AND 70450
6. WIRE SPECIFICATION: TERMINALS STAMPED WITH THE LETTER:
  - A = ACCEPTS 24-30 AWG STRANDED WIRE WITH A 1.52 MAX INSULATION DIA
  - B = ACCEPTS 32-36 AWG STRANDED WIRE WITH A 0.64 MAX INSULATION DIA.
  - C = ACCEPTS 22-24 AWG STRANDED WIRE WITH A 1.63 MAX INSULATION DIA

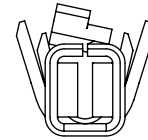
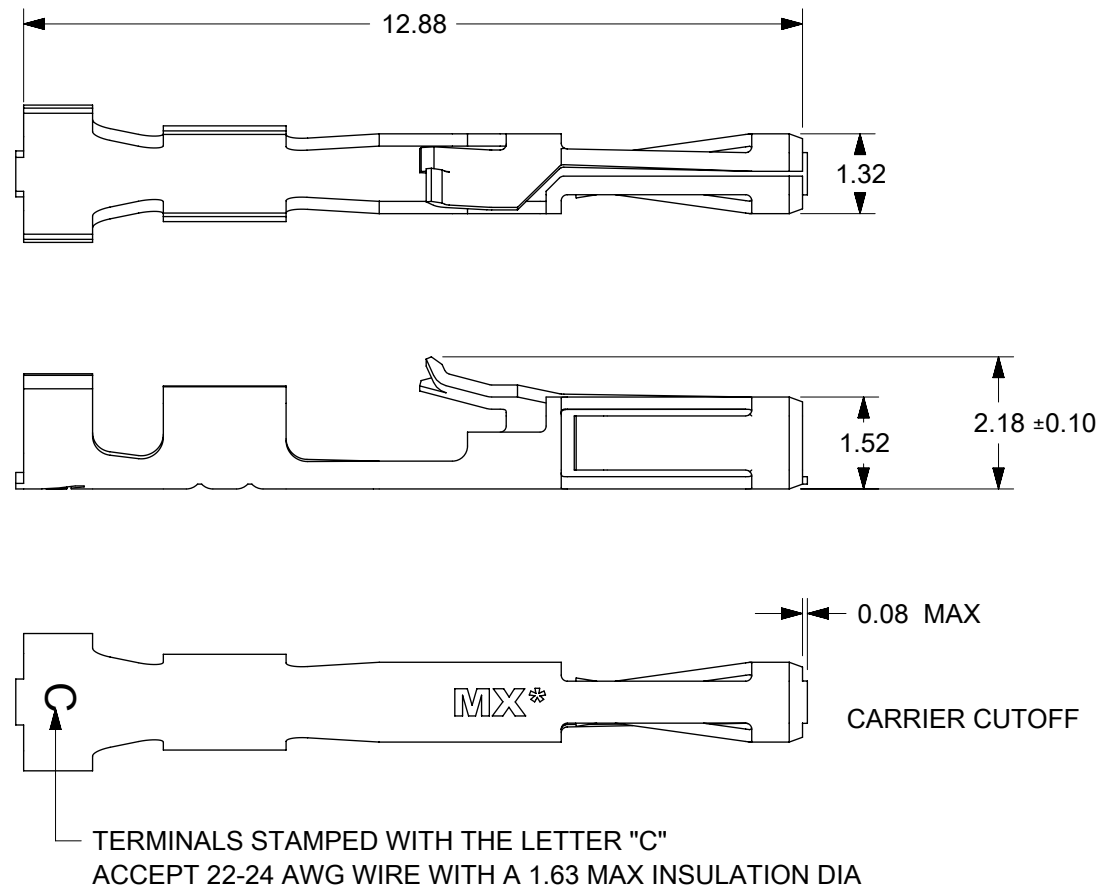
**TERMINALS ON THIS SHEET ARE FOR USE  
WITH 24-30 AWG WIRE.  
SEE SHEETS 2 FOR OTHER WIRE SIZES**



| MATERIAL NO: | PACKAGING | PLATING<br>SEE NOTE 2 | WIRE<br>SIZE | MAX<br>INSULATION DIA |
|--------------|-----------|-----------------------|--------------|-----------------------|
| 70058-1069   | REEL      | 124<br>SELECT TIN     | 24-30<br>AWG | 1.52 DIA MAX          |
| 70058-1096   | LOOSE     |                       |              |                       |
| 70058-0082   | REEL      | 207<br>0.38 GOLD      |              |                       |
| 70058-0097   | LOOSE     |                       |              |                       |
| 70058-0083   | REEL      | 206<br>0.75 GOLD      |              |                       |

|   |                     |   |               |              |  |                |          |          |                        |
|---|---------------------|---|---------------|--------------|--|----------------|----------|----------|------------------------|
| THIS DRAWING CONTAINS INFORMATION THAT IS PROPRIETARY TO MOLEX ELECTRONIC TECHNOLOGIES, LLC AND SHOULD NOT BE USED WITHOUT WRITTEN PERMISSION |                     |   |               |              |  |                |          |          |                        |
| DIMENSION UNITS<br><b>mm</b>  | SCALE<br><b>8:1</b> | CURRENT REV DESC: REMOVED OBSOLETE PART NUMBER AS PER PCN#511695. |               |              | <b>molex</b>                           |                |          |          |                        |
| GENERAL TOLERANCES (UNLESS SPECIFIED)   |                     | EC NO: 730178   |               |              |  |                |          |          |                        |
| ANGULAR TOL   | ± °                 | DRWN: SANTHN 2022/12/02   |               |              | SL CRIMP TERMINAL<br>(24-30 AWG WIRE)  |                |          |          |                        |
| 4 PLACES  | ±                   | CHKD: GGA 2023/01/04  |               |              |  |                |          |          |                        |
| 3 PLACES  | ±                   | APPR: GGA 2023/01/04  |               |              | PRODUCT CUSTOMER DRAWING               |                |          |          |                        |
| 2 PLACES  | ± 0.15              | INITIAL REVISION:   |               |              |  |                |          |          |                        |
| 1 PLACE   | ± 0.25              | DRWN: KSAMIEC 2017/05/03  |               |              | DOCUMENT NUMBER<br><b>700580000-SD</b> |                |          |          |                        |
| 0 PLACES  | ± 0.0               | APPR: FSMITH 2017/06/16   |               |              |  |                |          |          |                        |
| DRAFT WHERE APPLICABLE MUST REMAIN WITHIN DIMENSIONS  |                     | THIRD ANGLE PROJECTION  | DRAWING       | SERIES       | MATERIAL NUMBER                        | CUSTOMER       | DOC TYPE | DOC PART | REVISION               |
|   |                     |   | <b>B-SIZE</b> | <b>70058</b> | SEE TABLE                              | GENERAL MARKET | PSD      | 000      | <b>B3</b>              |
|   |                     |   |               |              |  |                |          |          | SHEET NUMBER<br>1 OF 3 |

|                 |    |              |            |          |
|-----------------|----|--------------|------------|----------|
| DOCUMENT STATUS | P1 | RELEASE DATE | 2023/01/04 | 04:25:01 |
|-----------------|----|--------------|------------|----------|



NOTES:

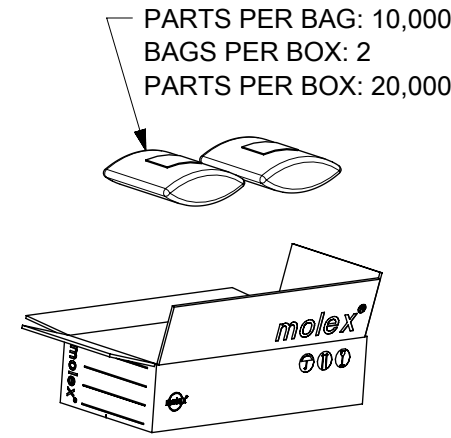
1. MATERIAL: PHOSPHOR BRONZE
2. PLATING:
  - 124 = SELECT BRIGHT TIN: 3.75 MICROMETERS MIN OVER NICKEL
  - 207 = SELECT HARD GOLD: 0.38 MICROMETERS MIN.  
SELECT TIN: 2.0 MICROMETERS MIN BOTH OVER NICKEL
  - 206 = SELECT HARD GOLD: 0.75 MICROMETERS MIN.  
SELECT TIN: 2.0 MICROMETERS MIN BOTH OVER NICKEL
  - P124 = PREPLATED OVERALL BRIGHT TIN: 3.75 MICROMETERS MIN OVER NICKEL  
(MAY HAVE UNPLATED EDGES)
3. PRODUCT SPECIFICATION: TERMINALS CONFORM TO PS-70058 AND PS-70400 WHEN CRIMPED WITH MOLEX CRIMP TOOLS.
4. COSMETIC SPECIFICATION: PS-45499-002 CLASS B
5. TERMINAL FOR USE WITH HOUSING SERIES 70066 AND 70450
6. WIRE SPECIFICATION: TERMINALS STAMPED WITH THE LETTER:
  - A = ACCEPTS 24-30 AWG STRANDED WIRE WITH A 1.52 MAX INSULATION DIA
  - B = ACCEPTS 32-36 AWG STRANDED WIRE WITH A 0.64 MAX INSULATION DIA.
  - C = ACCEPTS 22-24 AWG STRANDED WIRE WITH A 1.63 MAX INSULATION DIA

**TERMINALS ON THIS SHEET ARE FOR USE  
WITH 22-24 AWG WIRE.  
SEE SHEETS 1 FOR OTHER WIRE SIZES**

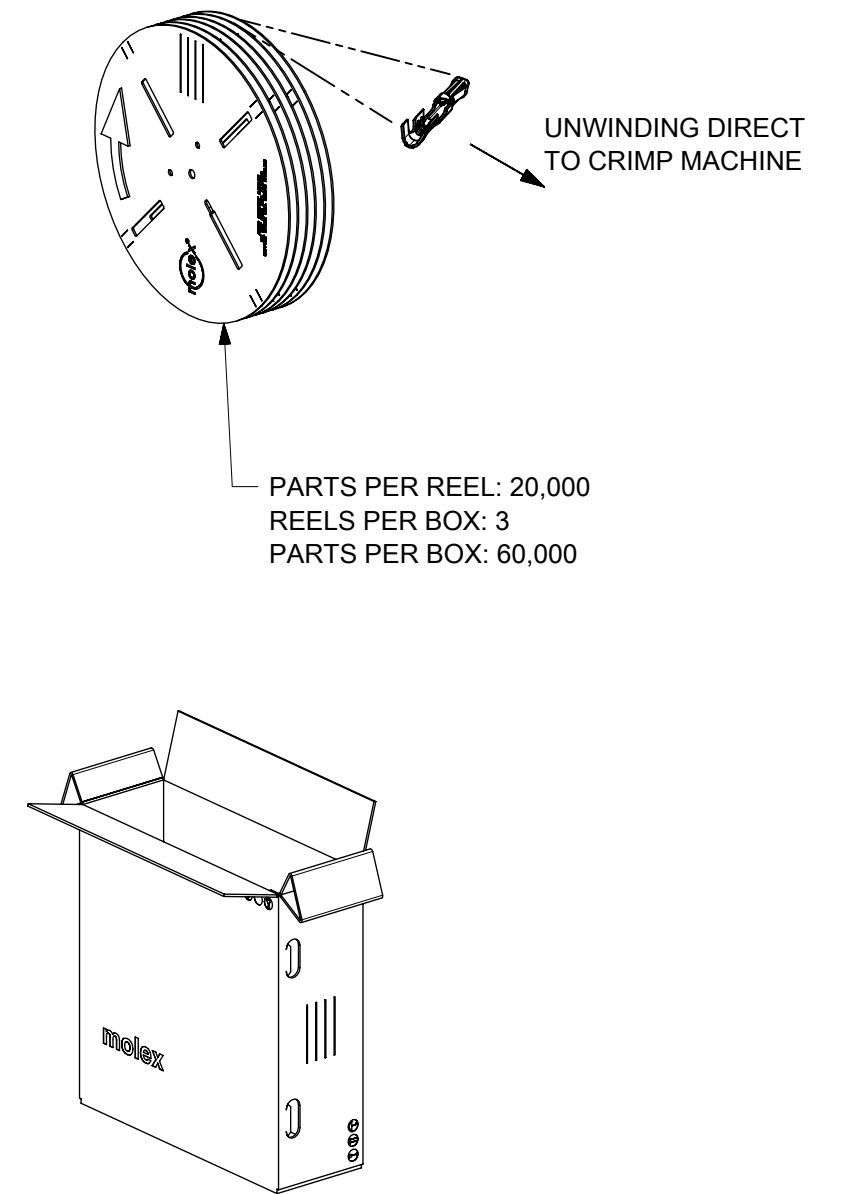
| MATERIAL NO: | PACKAGING | PLATING<br>SEE NOTE 2 | WIRE<br>SIZE | MAX<br>INSULATION DIA |
|--------------|-----------|-----------------------|--------------|-----------------------|
| 70058-1086   | REEL      | 124<br>SELECT TIN     | 22-24<br>AWG | 1.63 DIA MAX          |
| 70058-0086   | REEL      | P124<br>OVERALL TIN   |              |                       |
| 70058-0087   | REEL      | 207<br>0.38 GOLD      |              |                       |
| 70058-0103   | LOOSE     | 206<br>0.75 GOLD      |              |                       |
| 70058-0088   | REEL      | 206<br>0.75 GOLD      |              |                       |

|   |                     |   |                          |                        |  |                            |                 |                 |                       |                        |
|---|---------------------|---|--------------------------|------------------------|--|----------------------------|-----------------|-----------------|-----------------------|------------------------|
| THIS DRAWING CONTAINS INFORMATION THAT IS PROPRIETARY TO MOLEX ELECTRONIC TECHNOLOGIES, LLC AND SHOULD NOT BE USED WITHOUT WRITTEN PERMISSION |                     |   |                          |                        |  |                            |                 |                 |                       |                        |
| DIMENSION UNITS<br><b>mm</b>  | SCALE<br><b>8:1</b> | CURRENT REV DESC: REMOVED OBSOLETE PART NUMBER AS PER PCN#511695. |                          |                        | <b>molex</b>                           |                            |                 |                 |                       |                        |
| GENERAL TOLERANCES (UNLESS SPECIFIED)   |                     | EC NO: 730178   |                          |                        |  |                            |                 |                 |                       |                        |
| ANGULAR TOL   | ± °                 | DRWN: SANTHN 2022/12/02   |                          |                        | SL CRIMP TERMINAL<br>(22-24 AWG WIRE)  |                            |                 |                 |                       |                        |
| 4 PLACES  | ±                   | CHKD: GGA 2023/01/04  |                          |                        |  |                            |                 |                 |                       |                        |
| 3 PLACES  | ±                   | APPR: GGA 2023/01/04  |                          |                        | PRODUCT CUSTOMER DRAWING               |                            |                 |                 |                       |                        |
| 2 PLACES  | ± 0.15              | INITIAL REVISION:   |                          |                        |  |                            |                 |                 |                       |                        |
| 1 PLACE   | ± 0.25              | DRWN: KSAMIEC 2017/05/03  |                          |                        | DOCUMENT NUMBER<br><b>700580000-SD</b> |                            |                 |                 |                       |                        |
| 0 PLACES  | ± 0.0               | APPR: FSMITH 2017/06/16   |                          |                        |  |                            |                 |                 |                       |                        |
| DRAFT WHERE APPLICABLE MUST REMAIN WITHIN DIMENSIONS  |                     | THIRD ANGLE PROJECTION  | DRAWING<br><b>B-SIZE</b> | SERIES<br><b>70058</b> | MATERIAL NUMBER<br>SEE TABLE           | CUSTOMER<br>GENERAL MARKET | DOC TYPE<br>PSD | DOC PART<br>000 | REVISION<br><b>B3</b> | SHEET NUMBER<br>2 OF 3 |

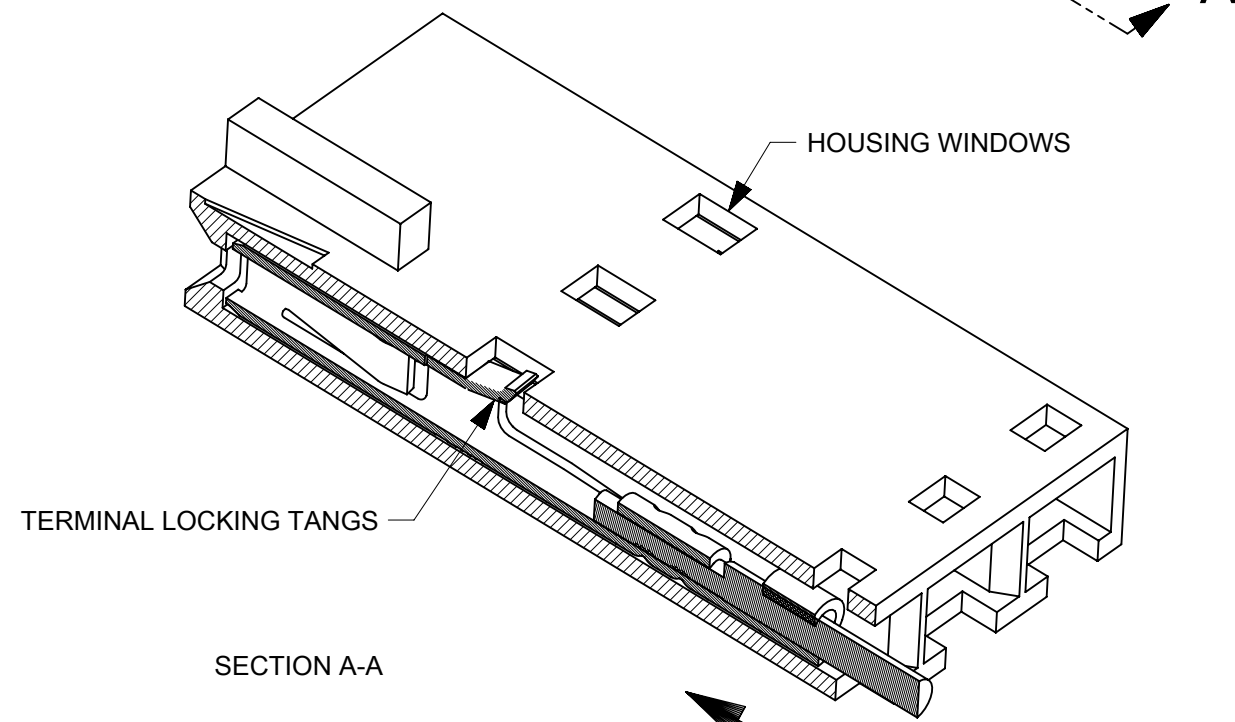
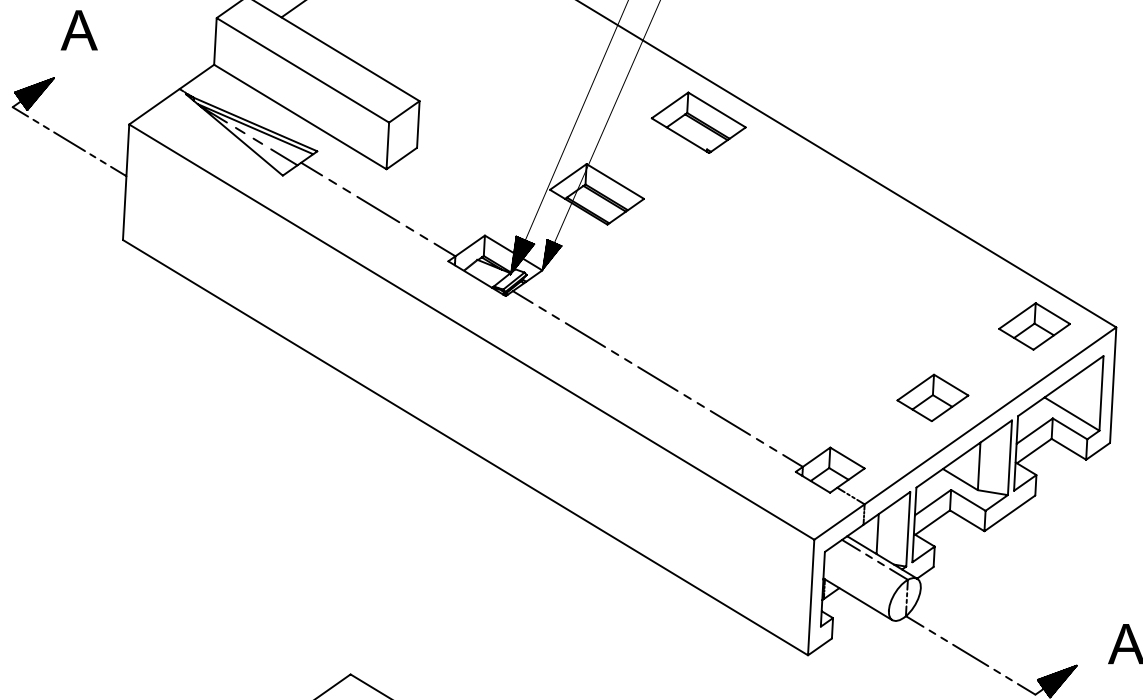
### LOOSE PACKED



### REEL PACKED



WHEN TERMINALS ARE FULLY INSERTED INTO THE HOUSINGS. THE TERMINAL'S LOCKING TANG SHOULD BE VISABLE IN THE HOUSING'S WINDOWS



CRIMPED TERMINALS SHOULD BE INSERTED INTO THE HOUSING IN THIS DIRECTION WITH THE LOCKING TANGS FACING UP TOWARD THE HOUSING WINDOWS

|   |        |   |         |        |                 |                          |          |    |              |
|---|--------|---|---------|--------|-----------------|--------------------------|----------|----|--------------|
| THIS DRAWING CONTAINS INFORMATION THAT IS PROPRIETARY TO MOLEX ELECTRONIC TECHNOLOGIES, LLC AND SHOULD NOT BE USED WITHOUT WRITTEN PERMISSION |        |   |         |        |                 |                          |          |    |              |
| DIMENSION UNITS   | SCALE  | CURRENT REV DESC: REMOVED OBSOLETE PART NUMBER AS PER PCN#511695. |         |        |                 | <b>molex</b>             |          |    |              |
| mm  | 1:15   |   |         |        |                 |                          |          |    |              |
| GENERAL TOLERANCES (UNLESS SPECIFIED)   |        | EC NO: 730178   |         |        |                 | SL CRIMP TERMINAL        |          |    |              |
| ANGULAR TOL   | ± °    | DRWN: SANTHN 2022/12/02   |         |        |                 | PRODUCT CUSTOMER DRAWING |          |    |              |
| 4 PLACES  | ±      | CHKD: GGA 2023/01/04  |         |        |                 | DOCUMENT NUMBER          |          |    |              |
| 3 PLACES  | ±      | APPR: GGA 2023/01/04  |         |        |                 | 700580000-SD             |          |    |              |
| 2 PLACES  | ± 0.15 | INITIAL REVISION:   |         |        |                 | DOC TYPE                 |          |    |              |
| 1 PLACE   | ± 0.25 | DRWN: KSAMIEC 2017/05/03  |         |        |                 | PSD                      |          |    |              |
| 0 PLACES  | ± 0.0  | APPR: FSMITH 2017/06/16   |         |        |                 | DOC PART                 |          |    |              |
| DRAFT WHERE APPLICABLE MUST REMAIN WITHIN DIMENSIONS  |        | THIRD ANGLE PROJECTION  | DRAWING | SERIES | MATERIAL NUMBER | CUSTOMER                 | REVISION |    |              |
|   |        |   | B-SIZE  | 70058  | SEE TABLE       | GENERAL MARKET           | 000      | B3 | SHEET NUMBER |
|   |        |   |         |        |                 |                          |          |    | 3 OF 3       |