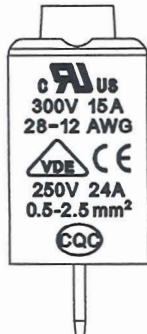
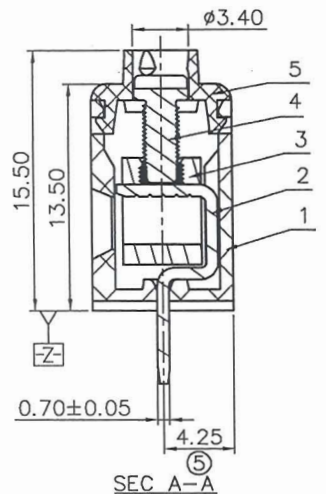
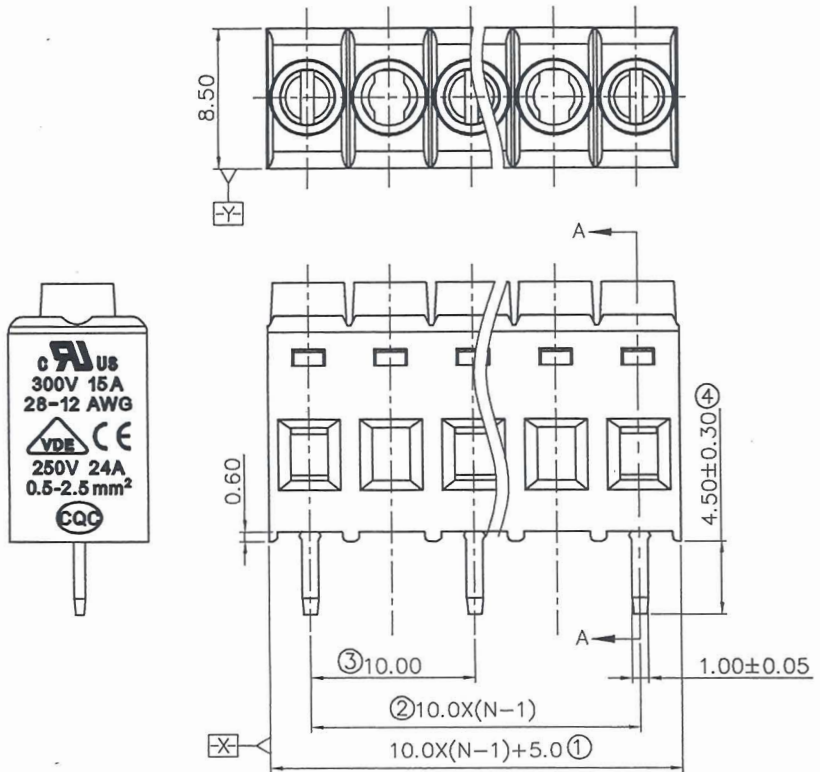


REVISION RECORD				
REV	ECN	DESCRIPTION	DRFT	DATE
△1	13-0050	应客户要求修改标签	Ellen	04/03/13"
△2	13-0216	图纸BOM更改	YJZ	10/25/13"
△3	16-0064	修改去掉图面上标签资料	HGW	03/08/16"



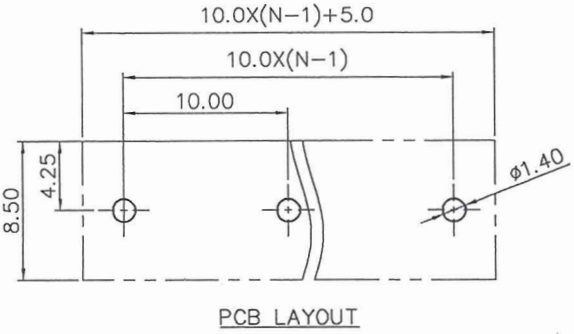
- 备注一:
UL 标准
1. 额定电压与电流 : 300V / 15A
2. 螺丝扭力 : M2.5, 3.54Lb.in
3. 线径范围 : 28~12AWG

- IEC 标准
1. 额定电压与电流 : 250V / 24A
2. 螺丝扭力 : M2.5, 0.4N.m
3. 线径范围 : 0.5~2.5mm²

- 备注二:
1. 尺寸标注符合标准 ASME Y14.5-2009
2. P距 : 10.0mm, P数范围 : N=02~10P
3. 剥线长度 : 5-6mm
4. 工频耐压 : AC2000V/1Min.
5. 使用温度范围 : -40°C~+105°C
6. "⊗" 为重点管控尺寸
7. 与-00A区分 : 与00A相同, A090-080特殊标签, 包装作业规范文件编号: SOP-Y-0197
8. 未注公差表:

P距方向公差(mm)		其他尺寸公差(mm)					
≤6	6 ~ 10	10 ~ 24	≤30	30 ~ 60	60 ~ 100	100 ~ 150	0.05/10
±0.10	±0.15	±0.25	±0.20	±0.30	±0.50	±0.70	±1.00

9. 须符合RoHS环保要求



齐贤专用
2016.3.31
(仅限内部使用,对外无效)

5	DG632-5.0 盖板	4085C0Y(2XX-1)A(H)	1	PA66	UL94V-0
4	DG632 "-"字螺丝	S000007770(H)	N	钢	M2.5/镀锌

3	DG128 方块	X000000020(H)	N	黄铜	M2.5/镀镍
2	DG632-5.0 焊脚	4085B00010(H)	N	黄铜	镀锡
1	DG632-5.0 塑件	4085AYY(2XX-1)A(H)	1	PA66	UL94V-0
ITEM	NAME OF PART	NO. OF PART	Q"TY	MATERIAL	NOTES
PART NO.: /		NINGBO DEGSON ELECTRICAL CO., LTD			
APPD: <i>Dayon 3/28/16</i>		NAME: DEGSON®			
CHKD: <i>YJ 3/28/16</i>		DG632-5.0-XXP-2Y-13A(H)			
DRFT: Ellen 03/18/13"		TITLE: ASSEMBLY DRAWING		REV	T3
THIRD ANGLE PROJECTION		DRAWING NO.: DG632-5.0-E09		SHEET	1/1
		DO NOT SCALE DRAWING		SCALE	1:1

REVISION RECORD

REV	ECN	DESCRIPTION	DRFT	DATE
-----	-----	-------------	------	------

NOTES1:

UL Standard

- 1.Rated Voltage/Current : 300V / 15A
- 2.Torque Value : M2.5 , 3.54Lb.in
- 3.Wire Range : 28~12AWG

IEC Standard

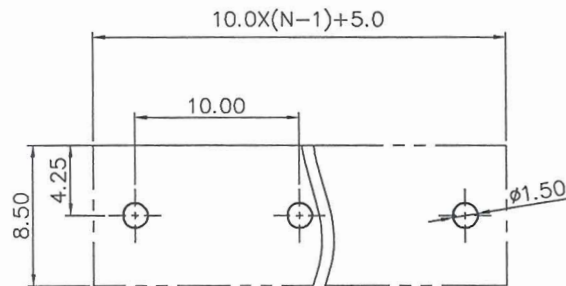
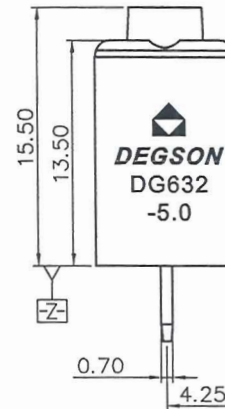
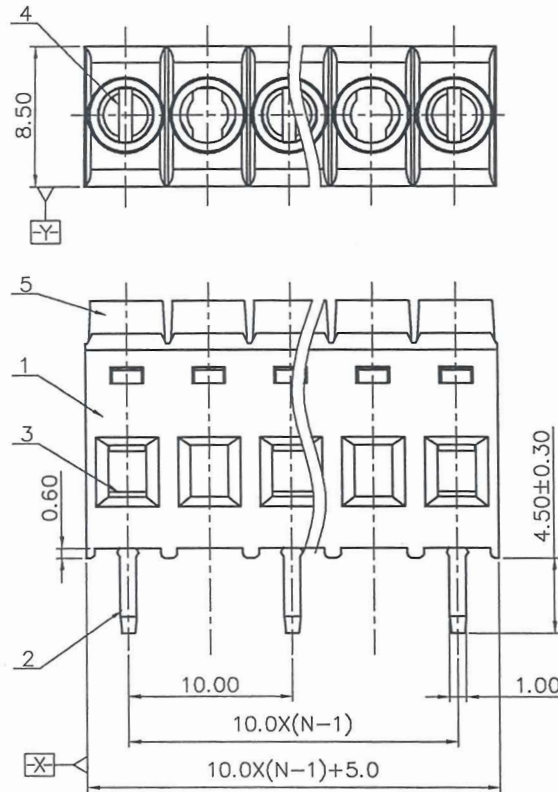
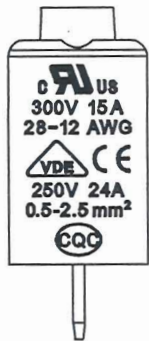
- 1.Rated Voltage/Current : 250V / 24A
- 2.Torque Value : M2.5 , 0.4N.m
- 3.Wire Range : 0.5~2.5mm²

NOTES2:

- 1.Dimension shall be interpreted per ASME Y14.5-2009
- 2.Pitch : 10.0mm, Poles : N=02~10P
- 3.Stripping length : 5-6mm
- 4.Withstanding Voltage : AC2000V/1Min.
- 5.Operating temperature: -40°C~+105°C
- 6.Undimensioned Tolerances:

Pitch Range In mm		Nominal Dimension Range In mm						-	∩	∠
TO	Over	Over	TO	Over	Over	Over	Over	0.1/10		
6	10	10	30	60	100	150	150	<		
±0.15	±0.20	±0.30	±0.30	±0.50	±0.70	±1.00	±1.30	±2'		

7.RoHS Compliance



PCB LAYOUT

2016.3.31
(仅限内部使用对外无效)

ITEM	NAME OF PART	MATERIAL	NOTES
5	COVER	PA66	UL94V-0
4	SCREW	STEEL	M2.5/Zn plated
3	CAGE	COPPER ALLOY	M2.5/Ni plated
2	HEADER	COPPER ALLOY	Sn plated
1	HOUSING	PA66	UL94V-0

DETACHED LISTS	PART NO.: /	NINGBO DEGSON ELECTRICAL CO., LTD		
	APPD: Axon 3/17/16	NAME: DG632-5.0-XXP-2Y-13A(H)		
	CHKD: LK 3/19/16	TITLE: CUSTOMER DRAWING		
	DRFT: HGW 08/03/16"	REV	TO	
THIRD ANGLE PROJECTION		DRAWING NO.: DG632-5.0-C09	SHEET	1/1
		MM (INCH)	DO NOT SCALE DRAWING	SCALE 1:1