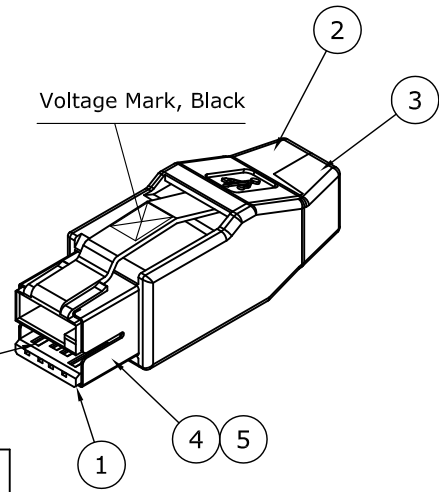
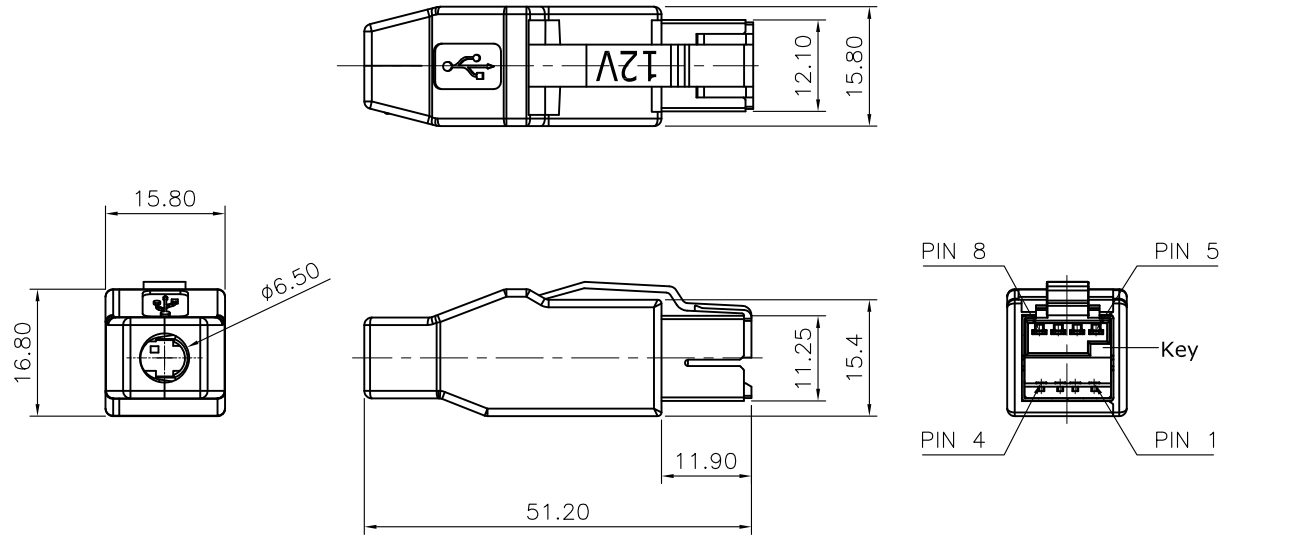


REV.	DESCRIPTION	DRAWN	DATE
1	INITIAL RELEASE	FROS	2015/04/16
2	CORRECTED	FROS	2015/11/11

**SPECIFICATION:**

1. ELECTRICAL
  - 1.1 Current Rating: 1.5A (USB Section)  
3.0A (Powered Section)
  - 1.2 Voltage Rating:  
USB: 5.25V DC  
Powered: 12V
  - 1.3 Contact Resistance: 40mΩ Max.
  - 1.4 Insulation Resistance: 1000MΩ at 500V DC
  - 1.5 Dielectric Withstanding Voltage: 750V AC
2. MECHANICAL
  - 2.1 Durability: 1,500 Cycle
  - 2.2 Mating Force: 67N max.
  - 2.3 UN-Mating Force: 10N max.
3. ENVIRONMENTAL
  - 3.1 Operating temperature range: -20°C~+85°C
  - 3.2 Storage temperature range: -20°C~+85°C
4. SOLDER ABILITY
  - 4.1 Recommend Temperature: 245°C



Contact Number	Signal Name	Plugging Sequence
Shell	Shield	1
1	VBUS	2
2	D-	3
3	D+	3
4	USB Ground	2
5	PWR Ground	2
6	VPLUS	3
7	VPLUS	3
8	PWR Ground	2

Insulator Key Position	Key 3	Key 1	Key 2
Voltage Rate	5V	12V	24V
Insulator Color	Black color	Green color	Red color

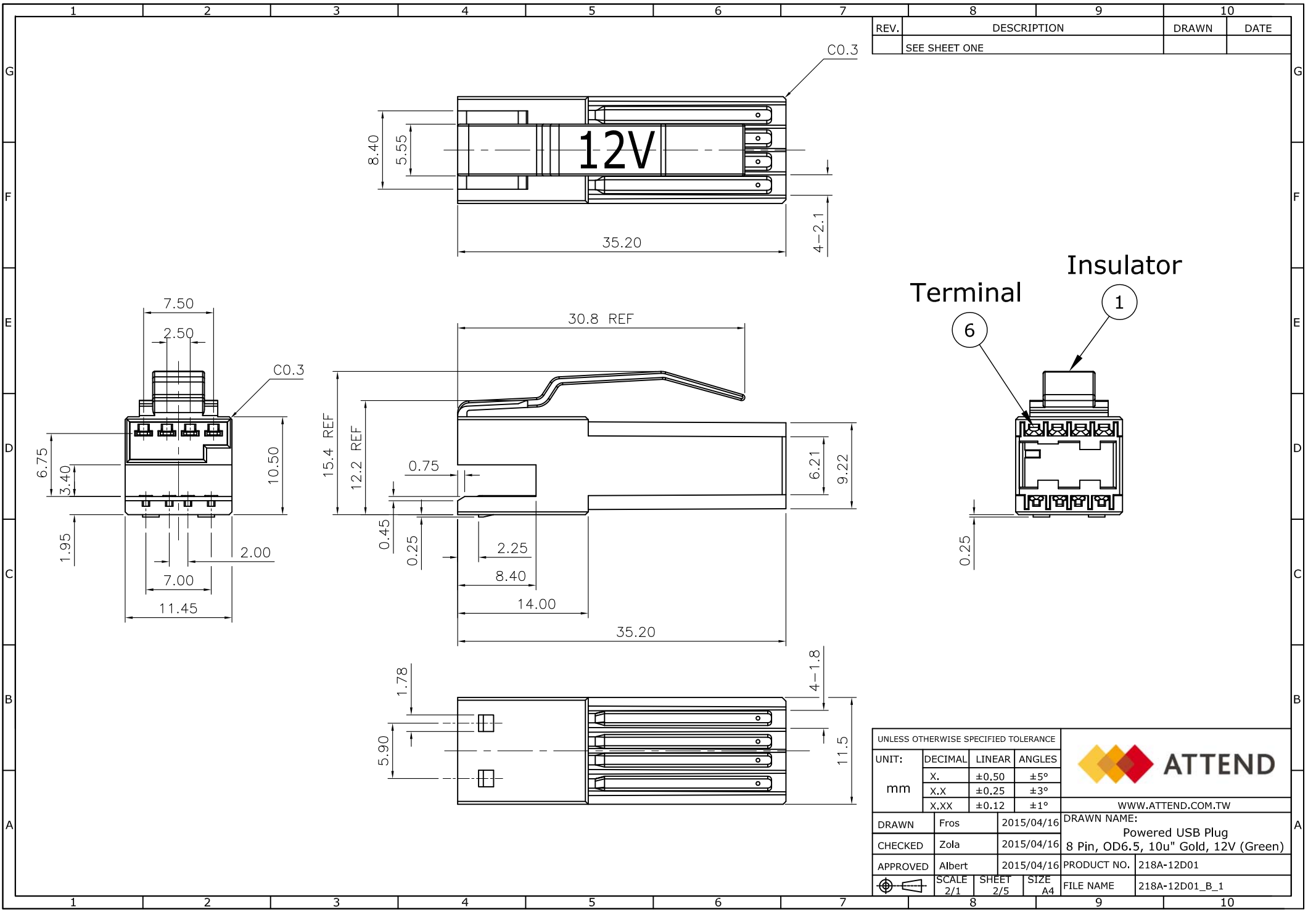
6	TERMINAL	PHOSPHOR BRONZE, GOLD 10u" MIN ON CONTACT AREA SHINE TIN 80u" MIN ON SOLDER TAILS UNDER-PLATED NICKEL OVER ALL 50u" MIN.
5	SHORT SHELL	PHOSPHOR BRONZE, TIN OVER ALL
4	LONG SHELL	PHOSPHOR BRONZE, TIN OVER ALL
3	BOTTOM COVER	ABS, BEIGE COVER
2	TOP COVER	ABS, BEIGE COVER
1	INSULATOR	NYLON 66, UL94V-0
NO.	PART NAME	DESCRIPTION

UNLESS OTHERWISE SPECIFIED TOLERANCE			
UNIT:	DECIMAL	LINEAR	ANGLES
mm	X.	±0.50	±5°
	X.X	±0.25	±3°
	X.XX	±0.12	±1°
DRAWN: Fros			2015/04/16
CHECKED: Zola			2015/04/16
APPROVED: Albert			2015/04/16
SCALE 1/1		SHEET 1/5	SIZE A4
DRAWN NAME: Fros		DRAWN NAME: Fros	
PRODUCT NO. 218A-12D01		PRODUCT NO. 218A-12D01	
FILE NAME 218A-12D01_B_1		FILE NAME 218A-12D01_B_1	




WWW.ATTEND.COM.TW

Powered USB Plug  
8 Pin, OD6.5, 10u" Gold, 12V (Green)

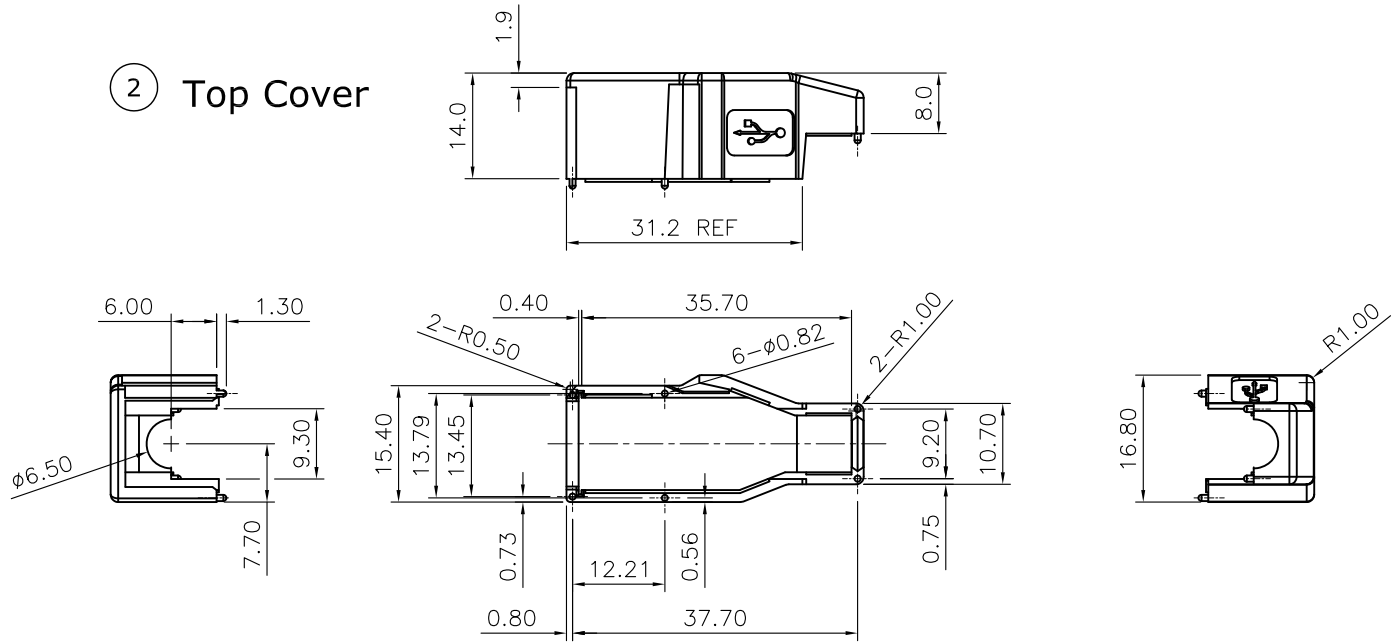


REV.	DESCRIPTION	DRAWN	DATE
	SEE SHEET ONE		

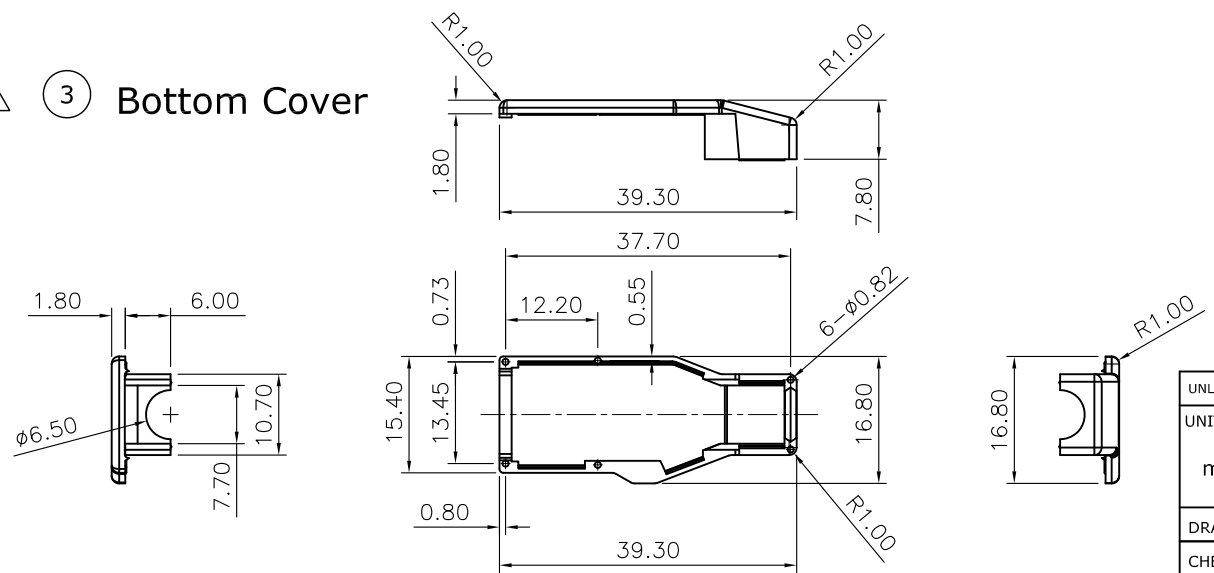
UNLESS OTHERWISE SPECIFIED TOLERANCE					
UNIT:	DECIMAL	LINEAR	ANGLES		
mm	X.	±0.50	±5°	WWW.ATTEND.COM.TW	
	X,X	±0.25	±3°		
	X,XX	±0.12	±1°		
DRAWN	Fros	2015/04/16	DRAWN NAME:		
CHECKED	Zola	2015/04/16	Powered USB Plug		
APPROVED	Albert	2015/04/16	8 Pin, OD6.5, 10u" Gold, 12V (Green)		
SCALE	SHEET	SIZE	PRODUCT NO.	FILE NAME	
2/1	2/5	A4	218A-12D01	218A-12D01_B_1	


REV.	DESCRIPTION	DRAWN	DATE
	SEE SHEET ONE		

② Top Cover



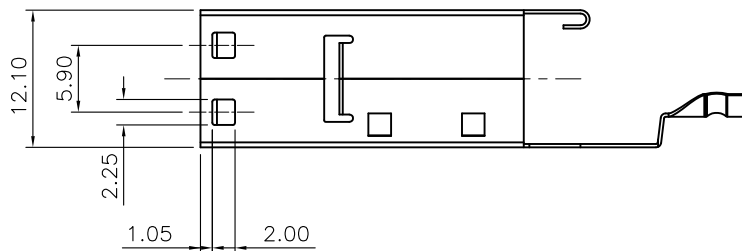
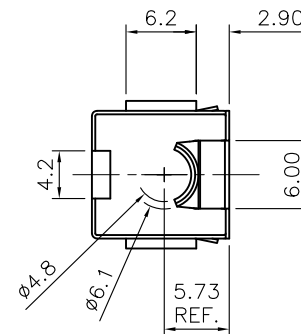
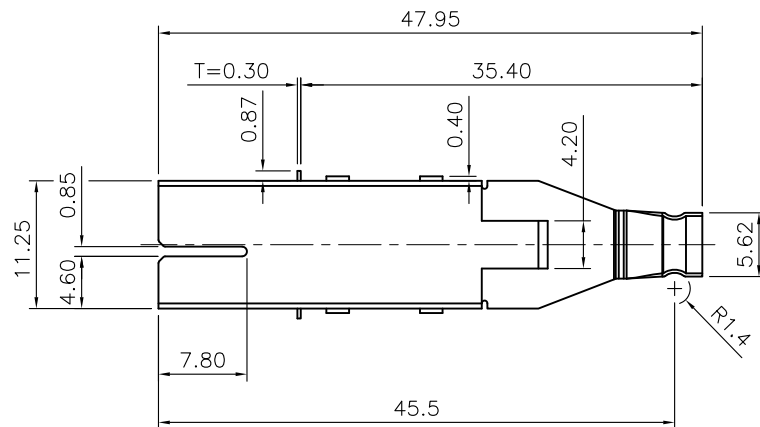
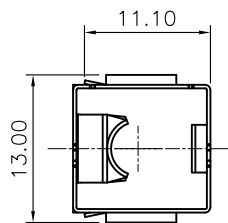
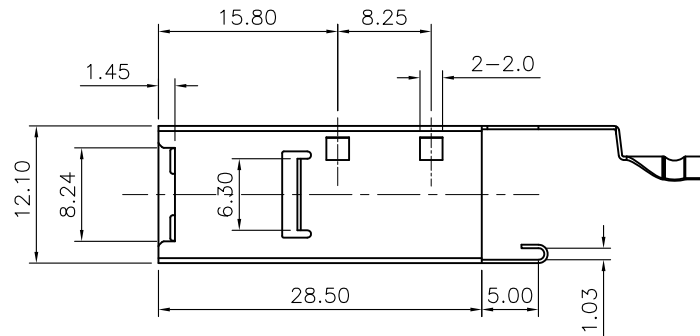
③ Bottom Cover




UNLESS OTHERWISE SPECIFIED TOLERANCE				 <a href="http://WWW.ATTEND.COM.TW">WWW.ATTEND.COM.TW</a>
UNIT:	DECIMAL	LINEAR	ANGLES	
mm	X.	±0.50	±5°	
	X.X	±0.25	±3°	DRAWN NAME: Powered USB Plug 8 Pin, OD6.5, 10u" Gold, 12V (Green)
	X.XX	±0.12	±1°	
DRAWN	Fros	2015/04/16	DRAWN NAME:	
CHECKED	Zola	2015/04/16	8 Pin, OD6.5, 10u" Gold, 12V (Green)	
APPROVED	Albert	2015/04/16	PRODUCT NO. 218A-12D01	
SCALE	2/1	SHEET 3/5	SIZE A4	FILE NAME 218A-12D01_B_1

REV.	DESCRIPTION	DRAWN	DATE
	SEE SHEET ONE		

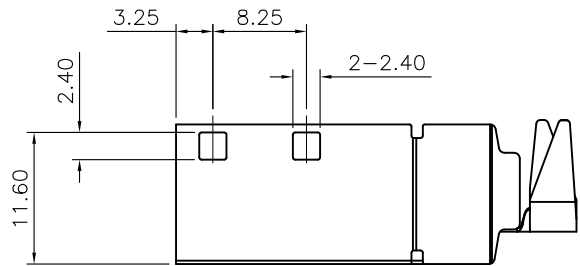
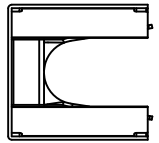
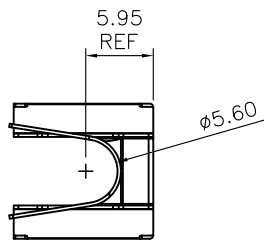
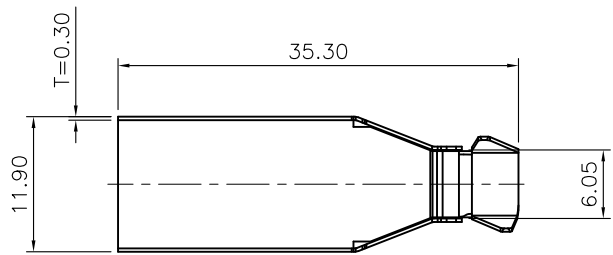
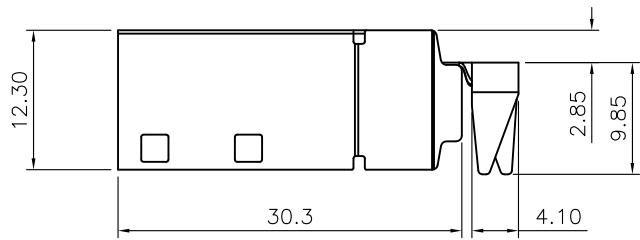
④ Long Shell




UNLESS OTHERWISE SPECIFIED TOLERANCE					
UNIT:	DECIMAL	LINEAR	ANGLES		
mm	X.	±0.50	±5°	WWW.ATTEND.COM.TW	
	X.X	±0.25	±3°		
	X.XX	±0.12	±1°		
DRAWN	Fros	2015/04/16	DRAWN NAME:		
CHECKED	Zola	2015/04/16	Powered USB Plug		
APPROVED	Albert	2015/04/16	8 Pin, OD6.5, 10u" Gold, 12V (Green)		
SCALE	SHEET	SIZE	PRODUCT NO.	218A-12D01	
1.6/1	4/5	A4	FILE NAME	218A-12D01_B_1	

REV.	DESCRIPTION	DRAWN	DATE
	SEE SHEET ONE		

⑤ Shot Shell



UNLESS OTHERWISE SPECIFIED TOLERANCE					
UNIT:	DECIMAL	LINEAR	ANGLES		
mm	X.	±0.50	±5°	WWW.ATTEND.COM.TW	
	X.X	±0.25	±3°		
	X.XX	±0.12	±1°		
DRAWN	Fros	2015/04/16	DRAWN NAME:		
CHECKED	Zola	2015/04/16	Powered USB Plug		
APPROVED	Albert	2015/04/16	8 Pin, OD6.5, 10u" Gold, 12V (Green)		
SCALE	SHEET	SIZE	PRODUCT NO.	218A-12D01	
1.6/1	5/5	A4	FILE NAME	218A-12D01_B_1	