

1
RoHS Compliance

2

3

4

5

6

7

8

A

A

B

B

C

C

D

D

E

E

F

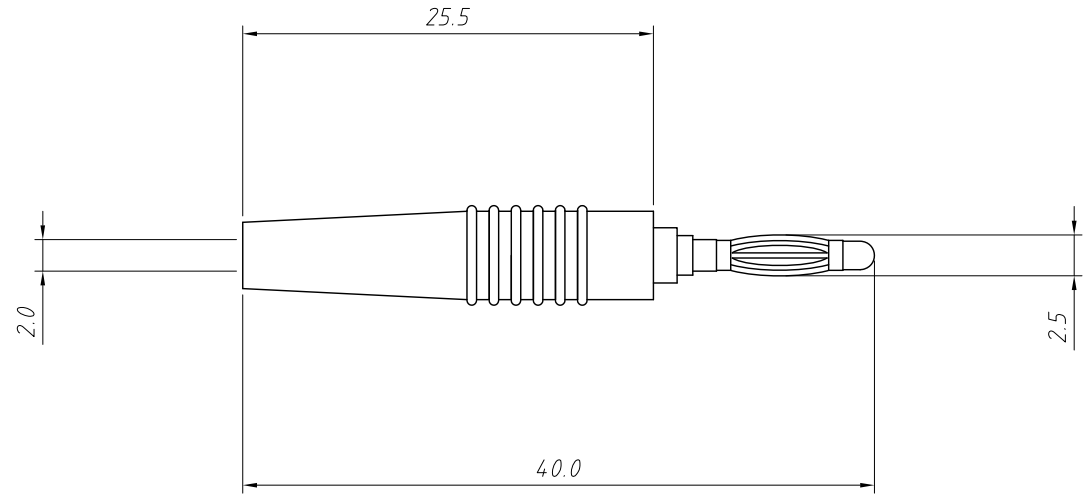
F

G

G

H

H



Order Information:
L-KLS1-BAP-037-B
 L: RoHS
 Banana plug
 Serial number
 Color: B-Black
 G-Green L-Blue R-Red
 Y-Yellow

Material:
 Insulator: PVC
 Contact: Brass
 Plating: Gold plated / Nickel plating
 Rated voltage: 30Vac-60Vdc
 Rated current: 10A Max.
 Remark: Optional Green, Blue, Yellow Color.

ANGLE TOLERANCE	PROJECTION	Description:	
±3°		2.5mm Banana plug	
GENERAL TOLERANCE	UNITS	mm	KLS P/N:
x.x ±0.30	SHEET SIZE	A4	2:1
x.xx ±0.20	Draw:	Daniel	2020-11-11
x.xxx ±0.10	Check:	Daniel	2020-11-11
		NingBo KLS ELECTRONIC CO.,L TD.	

1

2

3

4

5

6

7

8