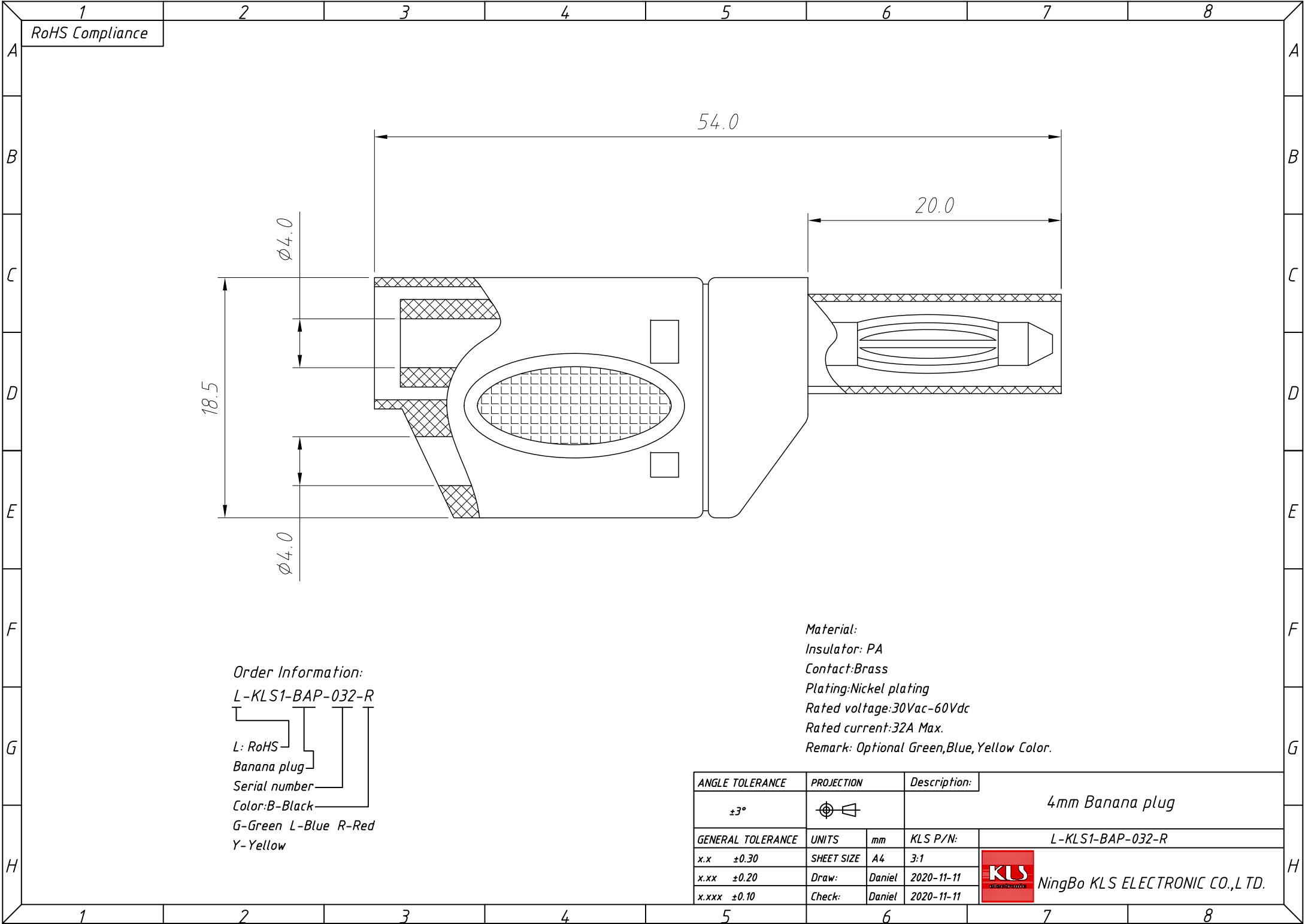
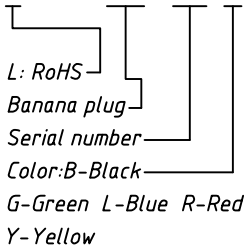


1
RoHS Compliance



Order Information:

L-KLS1-BAP-032-R



Material:
Insulator: PA
Contact: Brass
Plating: Nickel plating
Rated voltage: 30Vac-60Vdc
Rated current: 32A Max.
Remark: Optional Green, Blue, Yellow Color.

ANGLE TOLERANCE	PROJECTION	Description:		
±3°		4mm Banana plug		
GENERAL TOLERANCE	UNITS	mm	KLS P/N:	L-KLS1-BAP-032-R
x.x ±0.30	SHEET SIZE	A4	3:1	NingBo KLS ELECTRONIC CO.,L TD.
x.xx ±0.20	Draw:	Daniel	2020-11-11	
x.xxx ±0.10	Check:	Daniel	2020-11-11	