

Tactile Switches

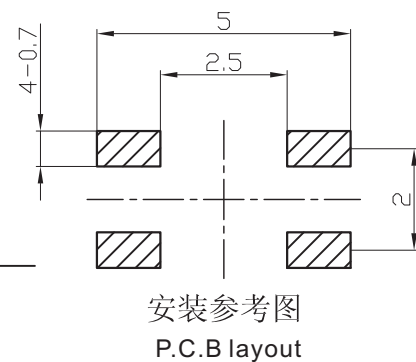
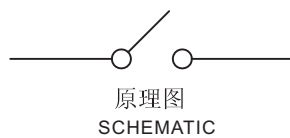
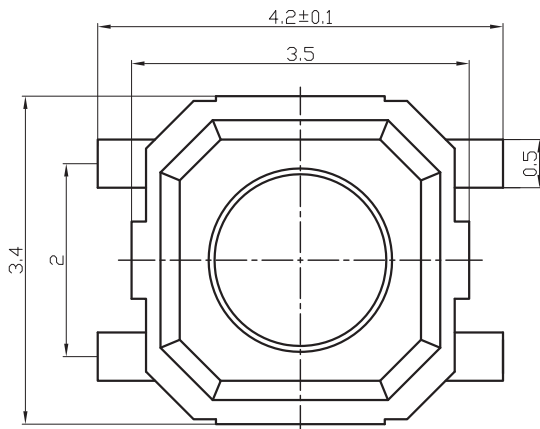
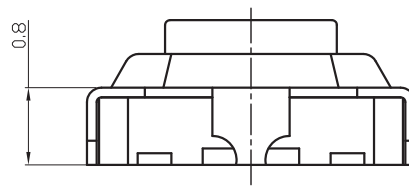
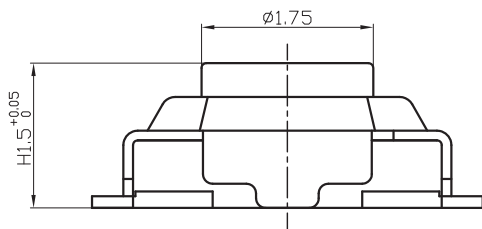
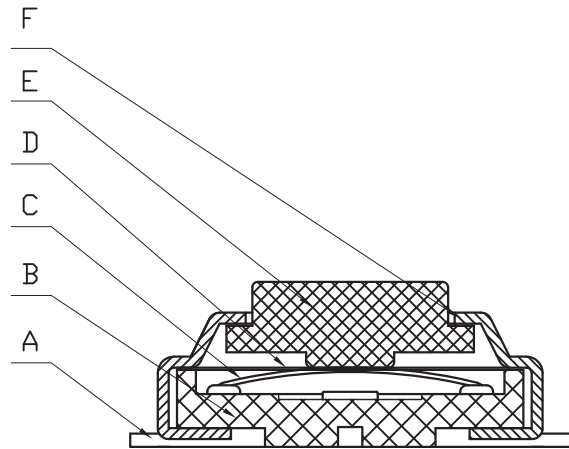
KLS7-TS3302 3x3mm Tact Switch

Electrical:

1. Rating: 50mA 12V DC
2. Contact Resistance: 100mΩ Max.
3. Insulation Resistance: 100MΩ Min, 100V DC
4. Dielectric voltage proof: 250V AC for 1min
5. Electrically Life: 100000 cycles Min.
6. Operating Force: 250±50gf
7. Environment temperature: -30°C~+80°C

Materials:

- A. Cards: Phosphor 0.15
- B. Pedestal: LCP, Black
- C. Shrapnel: Stainless steel
- D. Waterproof membrane: 0.05
- E. Push button: LCP, Black
- F. Cover: Stainless steel 0.1



ORDER INFORMATION

Product NO.: KLS7-TS3302-1.5-250-B

