

## Han 100A single module, female

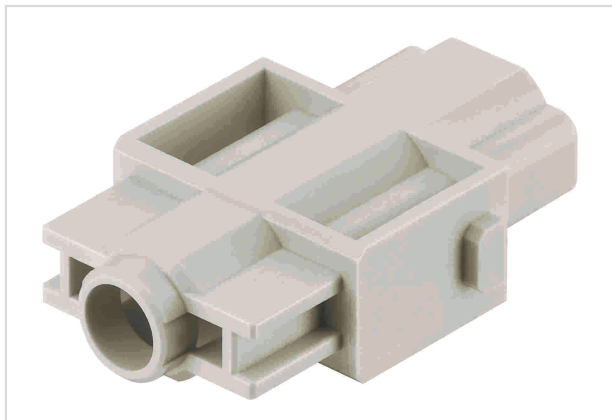


Image is for illustration purposes only. Please refer to product description.

|                    |   |
|--------------------|---|
| Part number        | 09 14 001 3131  |
| Specification      | Han 100A single module, female  |
| HARTING eCatalogue | <a href="https://b2b.harting.com/09140013131">https://b2b.harting.com/09140013131</a> |

### Identification

|                           |                   |
|---------------------------|-------------------|
| Category                  | Modules           |
| Series                    | Han-Modular®      |
| Type of module            | Han® 100 A module |
| Description of the module | Single module     |

### Version

|                    |                                   |
|--------------------|-----------------------------------|
| Gender             | Female                            |
| Number of contacts | 1                                 |
| Details            | Please order contacts separately. |

### Technical characteristics

|                          |                           |
|--------------------------|---------------------------|
| Conductor cross-section  | 10 ... 35 mm <sup>2</sup> |
| Rated current            | 100 A                     |
| Rated voltage            | 830 V                     |
| Rated impulse voltage    | 8 kV                      |
| Pollution degree         | 3                         |
| Rated voltage acc. to UL | 600 V                     |
| Insulation resistance    | >10 <sup>10</sup> Ω       |
| Contact resistance       | ≤0.3 mΩ                   |
| Limiting temperature     | -40 ... +125 °C           |
| Mating cycles            | ≥500                      |



Pushing Performance

## Material properties

|   |                        |
|---|------------------------|
| Material (insert)                         | Polycarbonate (PC)     |
| Colour (insert)                           | RAL 7032 (pebble grey) |
| Material flammability class acc. to UL 94 | V-0                    |
| RoHS                                      | compliant              |
| ELV status                                | compliant              |
| China RoHS                                | e                      |
| REACH Annex XVII substances               | No                     |
| REACH ANNEX XIV substances                | No                     |
| REACH SVHC substances                     | No                     |
| California Proposition 65 substances      | No                     |

## Specifications and approvals

|                |   |
|----------------|---|
| Specifications | EN 60664-1<br>IEC 61984   |
| Approvals      | DNV GL  |
| UL / CSA       | UL 1977 ECBT2.E235076<br>UL 2237 PVVA2.E318390<br>CSA-C22.2 No. 182.3 PVVA8.E318390 |

## Commercial data

|                                |   |
|--------------------------------|---|
| Packaging size                 | 2   |
| Net weight                     | 5 g   |
| Country of origin              | Germany   |
| European customs tariff number | 85389099  |
| eCl@ss                         | 27440217 Module for industrial connectors (power/signals) |