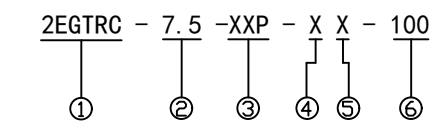
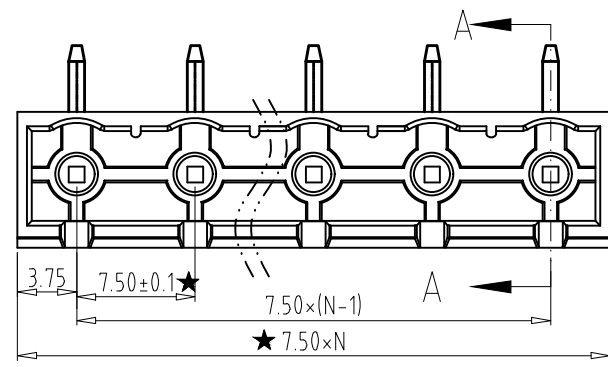


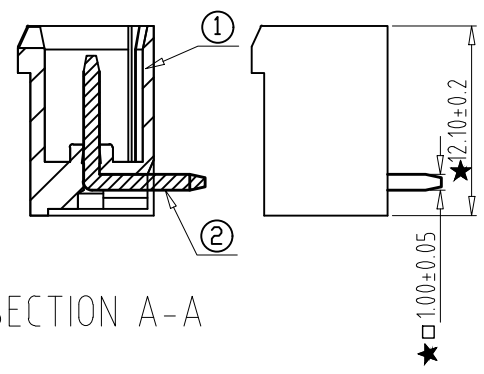
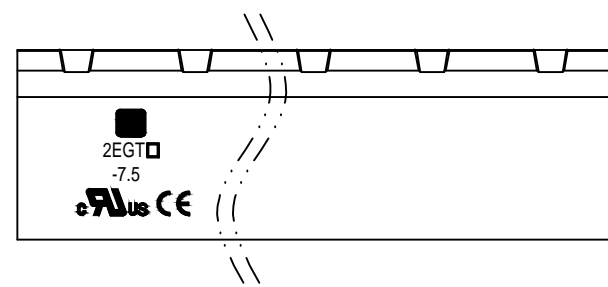
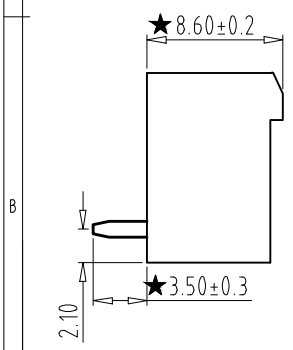
REV	CONTENT	CHK	DATE
VO.0	CONTENT	CXL	22.02.18

Electrical :

	UL	IEC
1. Rated Voltage :	300V	400V
2. Rated Current :	15A	20A
3. Withstanding Voltage :	AC1600V/1Min.	
4. Operating Temperature :	-40°C~+105°C	
5. RoHS Compliance		
6. Safety Approval :	eRus CE	
7. "★" is the key quality control point		



- ① Series NO.
- ② Pitch
- ③ Poles
02 02Contacts
03 03Contacts
...
24 24Contacts
- ④ 1 Single Pitch
2 Double Pitch
- ⑤ Color: 1 Grey
2 Blue
3 Black
4 Green
5 Orange
6 Red
7 Transparent
8 Yellow
9 White
- ⑥ Customer Request: 100--Standard



SECTION A-A

Total Pitch Tolerances in mm										Nominal dimension range in mm										⊥	≡	-	//					
over	over	over	over	over	over	over	over	over	over	over	over	over	over	over	over	over	over	over	over	0	over	0	over	0	over	0	over	
0	30	53	70	90	115	150	250	350	500	0	30	53	70	90	115	150	200	250	320	0	10	0	100	0	100	0	150	
±0.18	±0.20	±0.25	±0.3	±0.35	±0.44	±0.60	±0.70	±0.85	±0.20	±0.25	±0.30	±0.35	±0.44	±0.55	±0.70	±0.80	±0.90	0.2	0.3	0.3	0.3	0.2	0.3	0.2	0.3	0.2	0.3	0.5

2	PIN HEADER	XX	P	BRASS	Tin Plated
1	HOUSING	XX	1	PA66 UL94V-0	SEE NOTE
ITEM	NAME OF PART	NO. OF PART	Q'TY	MATERIAL	NOTE
DWG.	MYZ	DATE	21.06.05	SIZE	A4 UNITS mm SHEET/OF 1 / 1
CHK.	DATE		SCALE	1:1	
APP.	DATE				
			NAME	2EGTRC-7.5-XXP-XX-100	
宁波冠泰电子有限公司 NINGBO GOLTEN ELECTRONICS CO., LTD.			DWGNO.	XXXXX	