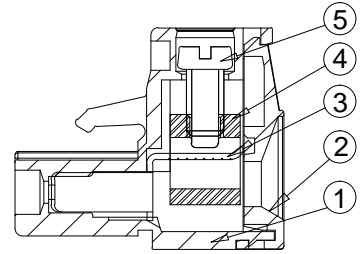
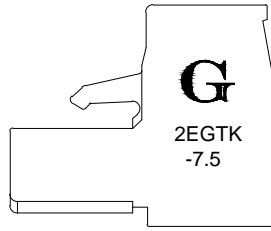
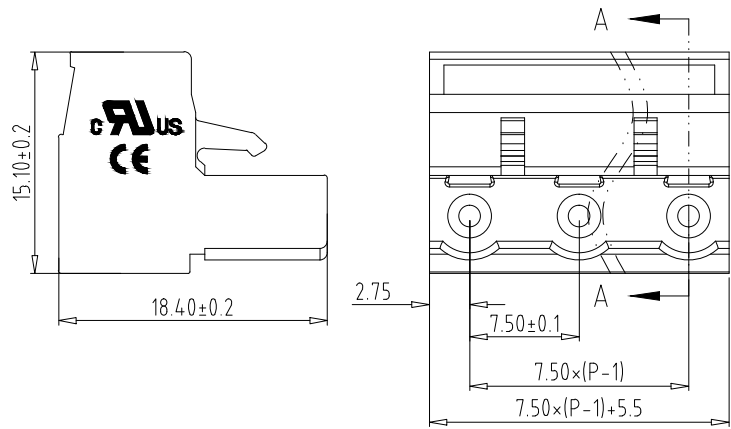
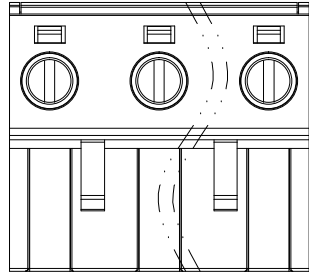


REV	CONTENT	CHK	DATE
V0.0	CONTENT	MYZ	21.12.04

Electrical :

- | | | |
|----------------------------------------|------------------|--------------------|
| | UL | IEC |
| 1. Rated Voltage : | 300V | 320V |
| 2. Rated Current : | 15A | 20A |
| 3. Torque Value : | M2.5 , 3.54Lb.in | M2.5, 0.4N.m |
| 4. Wire Range: | 28-12AWG | 2.5mm ² |
| 5. Stripping Length : | 7-8mm | |
| 6. Withstanding Voltage : | AC1600V/1Min. | |
| 7. Operating Temperature : | -40°C~-105°C | |
| 8. RoHS Compliance | | |
| 9. Safty Approval : | UL CE | |
| 10. ★ is the key quality control point | | |



SECTION A-A

2EGTK - 7.5 - XXP - X X - 100

- | | | |
|---------------|---------------------------------|------------------|
| ① | Series NO. | ④ 1 Single Pitch |
| ② | Pitch | 2 Double Pitch |
| ③ Poles | ⑤ Color: | 1 Grey |
| 02 02Contacts | | 2 Blue |
| 03 03Contacts | | 3 Black |
| ... | | 4 Green |
| 24 24Contacts | | 5 Orange |
| | | 6 Red |
| | | 7 Transparent |
| | | 8 Yellow |
| | | 9 White |
| ⑥ | Customer Request: 100--Standard | |

5	SCREW	XX	P	STEEL	Zn Plated
4	BLOCK	XX	P	BRASS	Ni Plated
3	CLAMP	XX	P	PHOSPHOR BRONZE	Ni Plated
2	COVER	XX	1	PA66 UL94V-0	GREEN
1	HOUSING	XX	1	PA66 UL94V-0	GREEN

ITEM	NAME OF PART	NO. OF PART	Q'TY	MATERIAL	NOTE
DWG.	MYZ	DATE	21.12.04	SIZE	A4 UNITS mm SHEET/OF 1 / 1
CHK.	DATE			SCALE	1:1
APP.	DATE			NAME	2EGTK-7.5-XXP-XX-100

Golten 宁波冠泰电子有限公司
NINGBO GOLTEN ELECTRONICS CO., LTD. DWGNO: XXXX

Total Pitch Tolerances in mm										Nominal dimension range in mm														
over	over	over	over	over	over	over	over	over	over	over	over	over	over	over	over	over	over	over	over	≡	//	over	over	
0	30	53	70	90	115	150	250	350	500	0	30	53	70	90	115	150	200	250	320	0	over	0	100	over
to	to	to	to	to	to	to	to	to	to	to	to	to	to	to	to	to	to	to	to	all		to	to	150
±0.18	±0.20	±0.25	±0.3	±0.35	±0.44	±0.60	±0.70	±0.85	±0.20	±0.20	±0.25	±0.30	±0.35	±0.44	±0.55	±0.70	±0.80	±0.90	0.2	0.3	0.3	0.2	0.3	0.5