

SPECIFICATION

MATERIAL:

Housing:PBT+30%G.F UL94V-0

Contacts:Copper Alloy

ELECTRICAL:

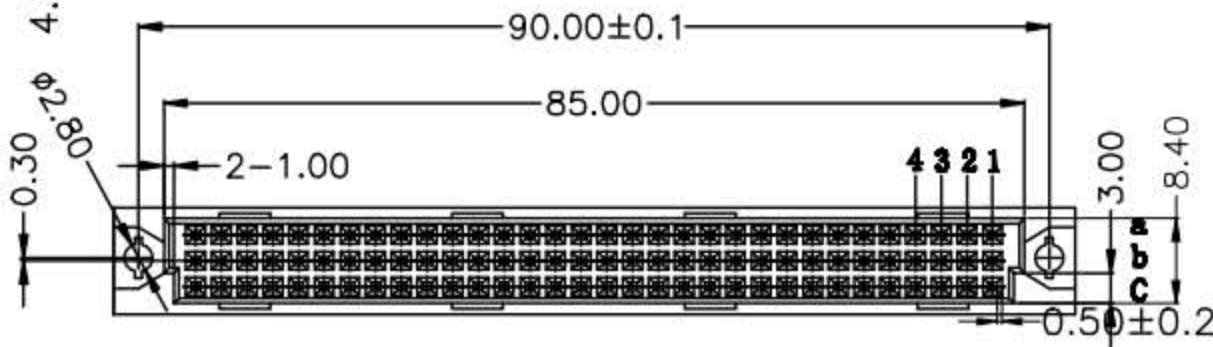
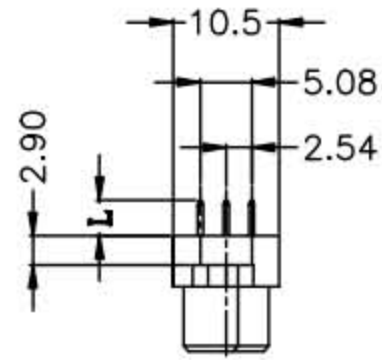
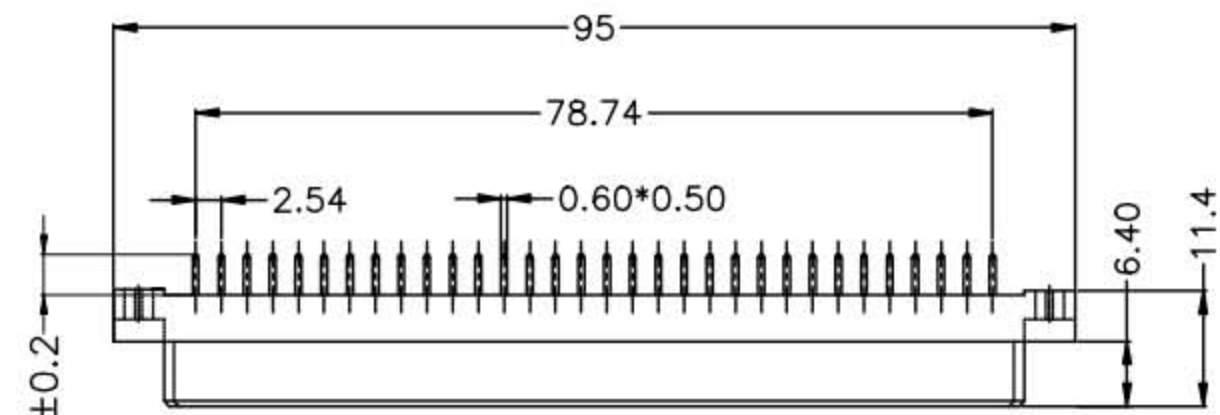
Current rating: 2 Amps .

Contact resistance: 20 mΩ initial

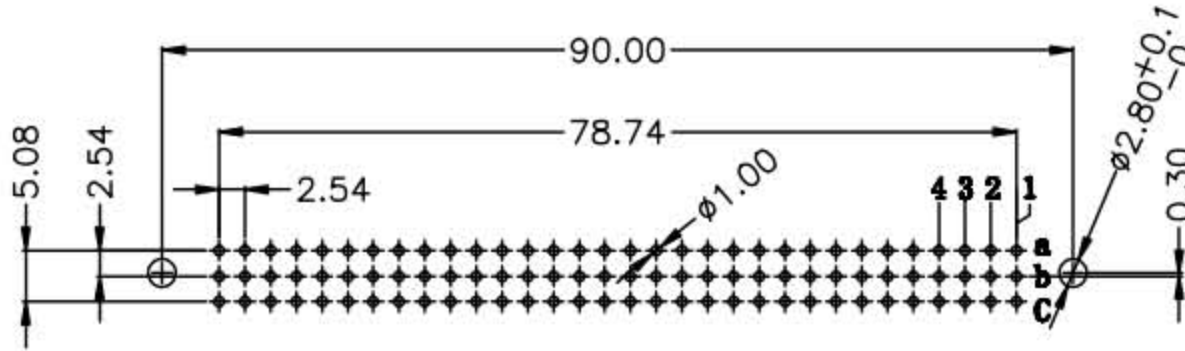
Insulation resistance: 1000 MΩ min @ 500 VDC

Dielectric withstanding voltage:1000 VAC/minute

Operating temperature: -55° C TO +125° C



	Length	1	2	W1	W2
	L	4.0	2.5	13	17
Pitch	Position	Rows with Contacts	Contact Arrange		
2.54	96	A B C			
	64	A - C			
	32	A - -			
5.08	48	A B C			
	32	A - C			
	16	A - -			



PCB LAYOUT(RECOMMENDED)

(TOP VIEW TOL. :±0.05)

公差一览表				NINGBO KLS ELECTRONIC CO.,LTD					
TOLERANCE UNLESS OTHERWISE									
X.	±0.25	X'	±5'	单位	mm	制图	OD	产品名称	
.X	±0.20	.X'	±2'	角法		设计	FGD		
.XX	±0.15	.XX'	±1'	比例	1:1	审核	FGD	产品料号	L-KLS1-D3-33E48-FS
.XXX	±0.02	.XXX'	±0.5'	版本	AD	核准	ZY	PART NO.	
日期	2008.04.15			VER		APPD		图号	
								DRAW NO.	