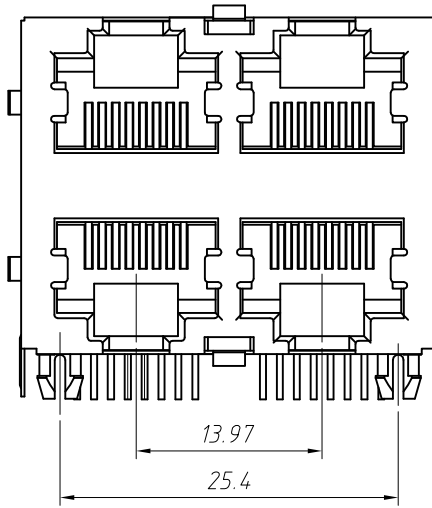
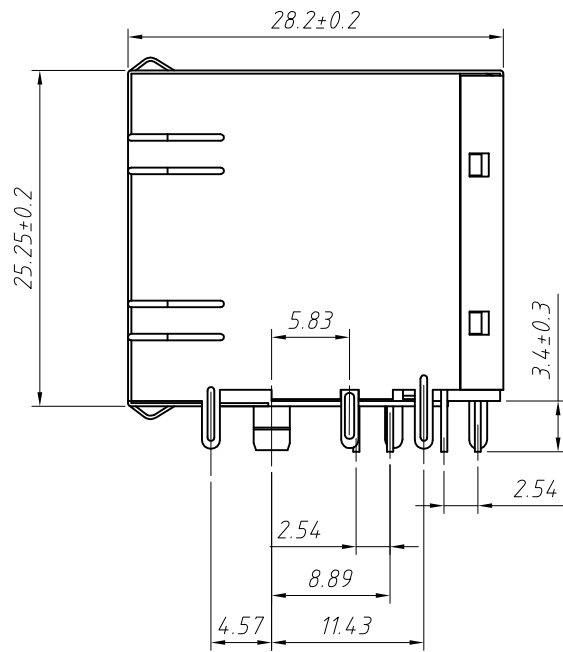
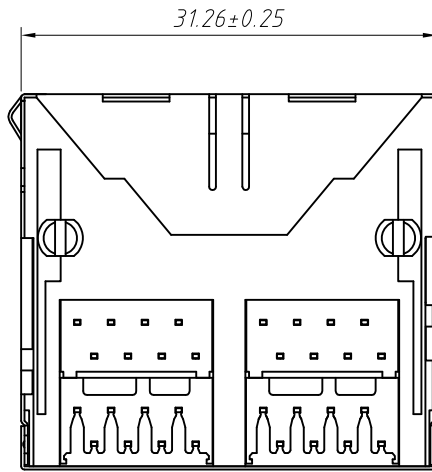


PCB Layout



Material:  
Housing: PBT+Glass Filled Polyester  
Flammability Rating : UL94V-0  
Contacts: Phosphor Bronze  $\phi 0.46\text{mm}$   
Plating: Gold Plating  
Shield: Brass, Tin Plating  
Electrical:  
Voltage Rating: 125VAC  
Current Rating: 1.5A  
Contact Resistance: 30m $\Omega$  Max.  
Insulation Resistance: 500M $\Omega$  Min.  
Dielectric Strength: 1000VAC Rms  
50Hz, 1 Min.  
Durability: 600 cycles Min.  
Operation Temperature: -40°C ~ +70°C

Order Information

L-KLS12-102-8P8C-2x2-X-XX

RoHS

Contacts: 8P8C

Shield Code:

W - With EMI

W/O - Without EMI

Plating Code:

01-Fu" Gold Plating

02-3u" Gold Plating

03-6u" Gold Plating

04-15u" Gold Plating

05-30u" Gold Plating

GENERAL TOLERANCE	PROJECTION		Description:
X. $\pm 0.30$	UNITS	mm	Modular jacks, RJ45-8P8C Jack, 2x2 with Shield
.X $\pm 0.25$	SCALE	1:1	
.XX $\pm 0.20$	Draw by:	Jenny	KLS P/N: L-KLS12-102-8P8C-2x2-X-xx
ANGLE TOLERANCE	Check by:	Daniel	
X. $\pm 3^\circ$	Date	2018-03-01	NingBo KLS ELECTRONIC CO.,LTD.
.X $\pm 2^\circ$	SHEET	1 OF 1	
.XX $\pm 1^\circ$			