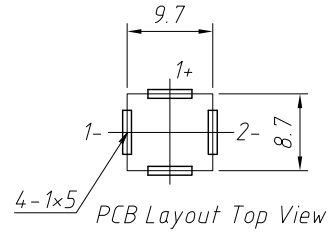
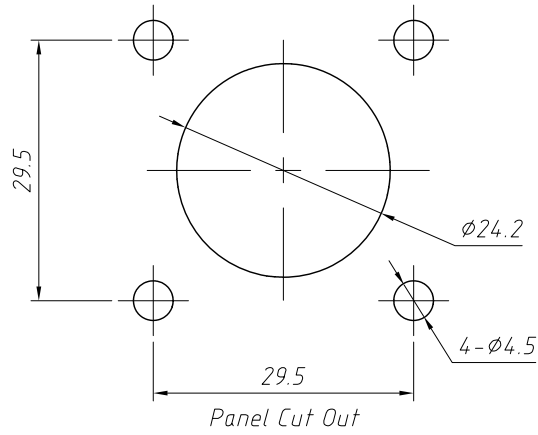


1 RoHS Compliance



Order Information:

L-KLS1-SL S-0609-04-BK

L: RoHS  
speakON series

Type: S-Socket P-Plug

Order Number

No. of 04 pins

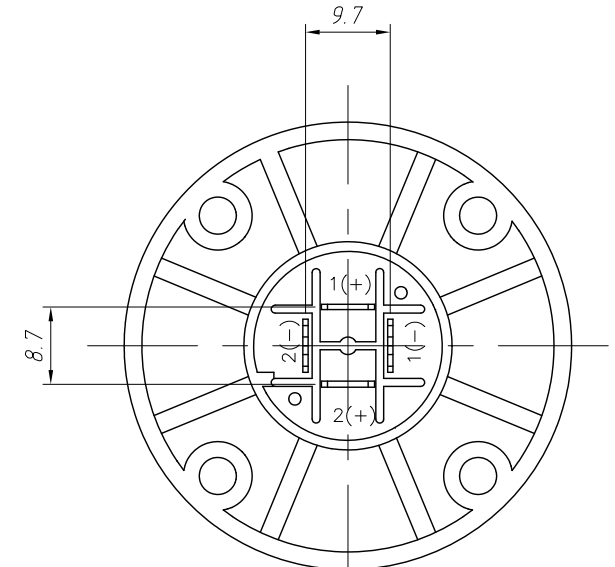
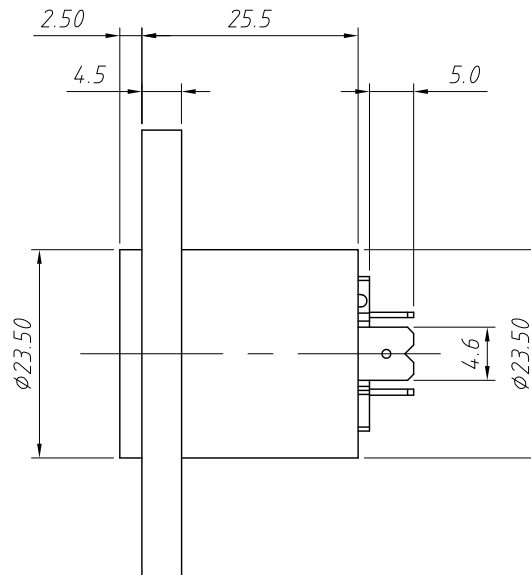
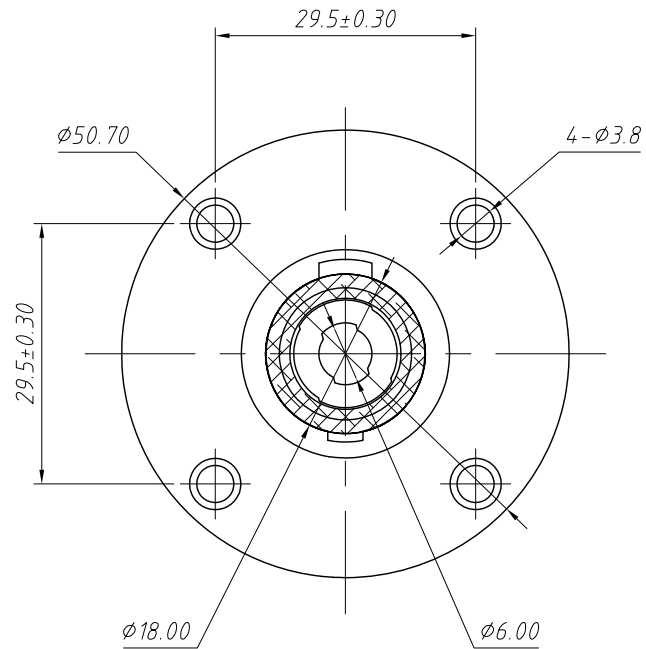
Color: BK-Black

Electrical:

1. Voltage Rating: 250VAC
2. Current Rating: XLR: 20A Max. JACK: 15A Max.
3. Contact Resistance: 30mΩ Max.
4. Insulation Resistance: 1000MΩ Min.
5. Withstanding Resistance: 1000VAC Min.

Mechanical:

1. Durability: 1000 cycles Min.
2. Insertion Force: 5~20N
3. Withdrawal Force: 5~20N.



ANGLE TOLERANCE	PROJECTION	Description:	
±3°		4 Pole Chassis Connector Flange	
GENERAL TOLERANCE	UNITS	mm	KLS P/N:
x.x ±0.30	SHEET SIZE	A4	L-KLS1-SLS-0609-04-BK
x.xx ±0.20	Draw:	Daniel	2021-08-28
x.xxx ±0.10	Check:	Daniel	2021-08-28



NingBo KLS ELECTRONIC CO.,LTD.