

Drawing of testing phase

-xxx-01

| REV. (版本) | DESCRIPTION (修改内容) | DATE. (日期) |
|-----------|--------------------|------------|
| | | |
| | | |
| | | |

产品说明 Product Description:

1.表面处理 Surface treatment :

电镀Ni Nickel plating

2.外观 Appearance:

>30CM距离, <5S目视, 无腐蚀、刮伤、氧化

No corrosion, scratches, oxidation on surface

Inspection condition:

Inspect from >30cm away and for <5 seconds

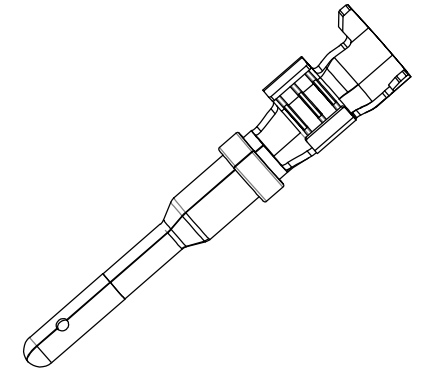
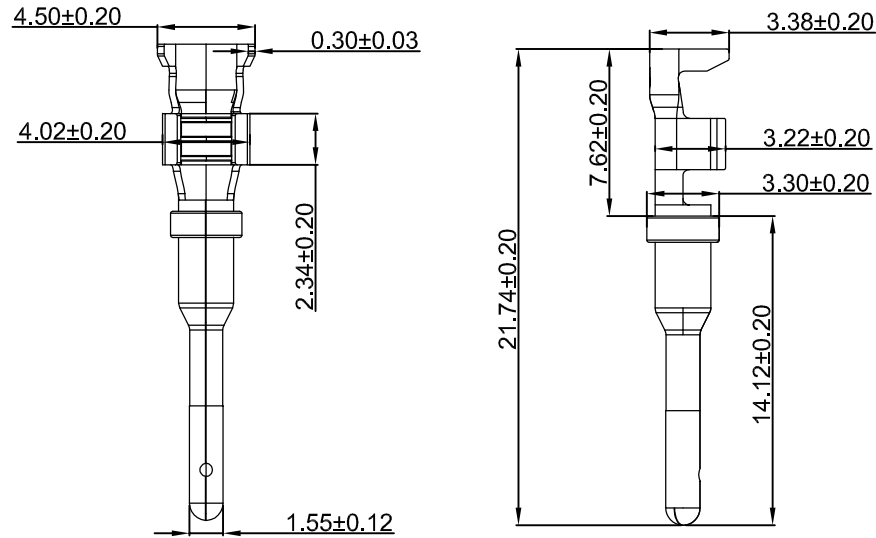
3.盐雾测试 Salt spray test:

24h, 等级7级(GB)

24 hours, grade 7 (GB)

4.环保: 符合ROHS&REACH

RoHS&REACH compliance: Yes



| | | | | |
|---|--------------------------|----------------------|---------------|---------------|
| 未标注尺寸公差参考 Unmarked dimensional tolerance reference | | 导线导体规格 Conductor | 14~18AWG | |
| 0 ± 0.2 | $0^\circ \pm 5^\circ$ | 电线绝缘OD Insulation | - | |
| 0.0 ± 0.2 | $0.0^\circ \pm 3^\circ$ | 核准 APPROVED | 制图 DRAWING | 尺寸单位 Units |
| 0.00 ± 0.1 | $0.00^\circ \pm 1^\circ$ | 审核 CHECKED | 郭士宾 | mm |
| 0.000 ± 0.05 | | | | 日期 DATE |
| | | | | 2019.11.01 |
| | | | | 版本 REV. |
| | | | | A |

| | | | |
|-----------------------------|------------|---------------------------|------------------------------|
| 产品料号 Part NO. | C155013PS1 | 文件名称 File Name | 规格图 Product Specification |
| 产品规格 Note | - | 文件编号 File NO. | - |
| 客户料号 Customer's Part NO. | - | 单重 Single Weight | - |
| 材质 Material | 磷铜(C5191) | 包装数量 Packing Q' TY | 5000Pcs/R |
| 适配端子 Mating Part/ Spec. | - | 认证编号 Certification NO. | - |

