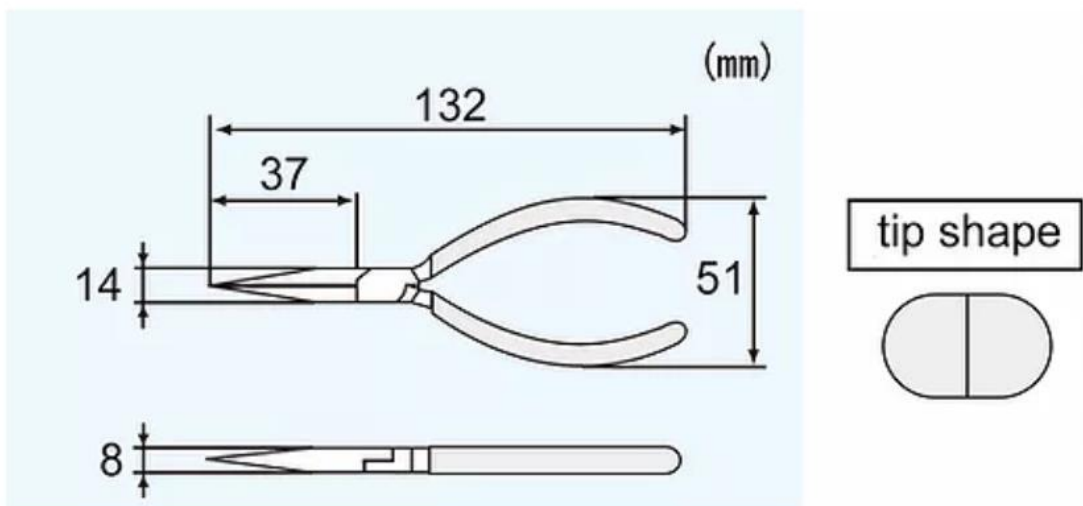


# PS-01 PLIER



## Ideal for precision work

- Compact size fits within the palm, suitable for work on PCB
- With side cutting blades and a coiled spring
- Jaws with inside serrations
- Soft touch handle



Item no.	Size	Material	Hardness	Cutting Capacity
PS-01	125mm	S58C	HRC58±4	dia. 2mm (Copper Wire)