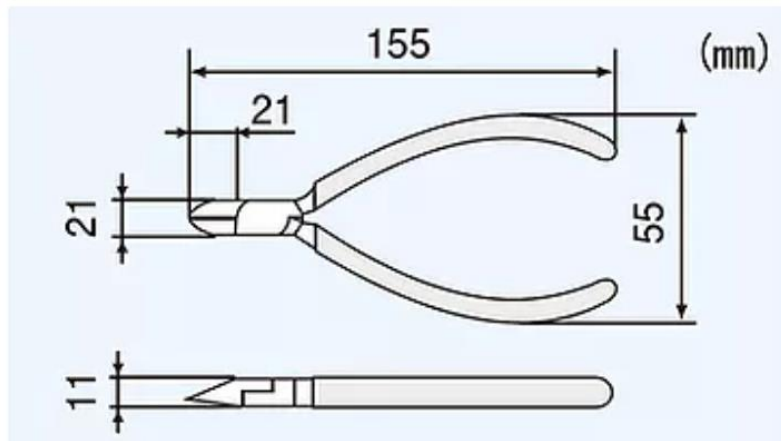


NK-36 NIPPER



Heavy-duty type durable cutting pliers

- Elaborately-sharpened robust cutting blade - Blade edging on each cutter is made from both sides (front & reverse) featuring fine and long-lasting cutting performance.
- Ideal for professional-use
- Material : High carbon steel
- Blades hardened up to HRC 60±4
- Cutting Capacity - Soft steel wire : 2.0mm diameter
Copper wire : 3.2mm diameter



Item no.	Size	Material	Hardness	Cutting Capacity
NK-36	155mm	S58C	HRC60±4	dia. 3.2mm (Copper Wire)