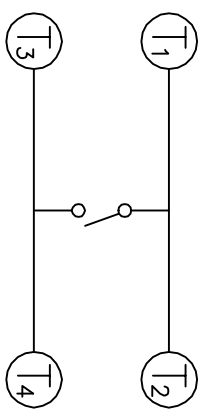
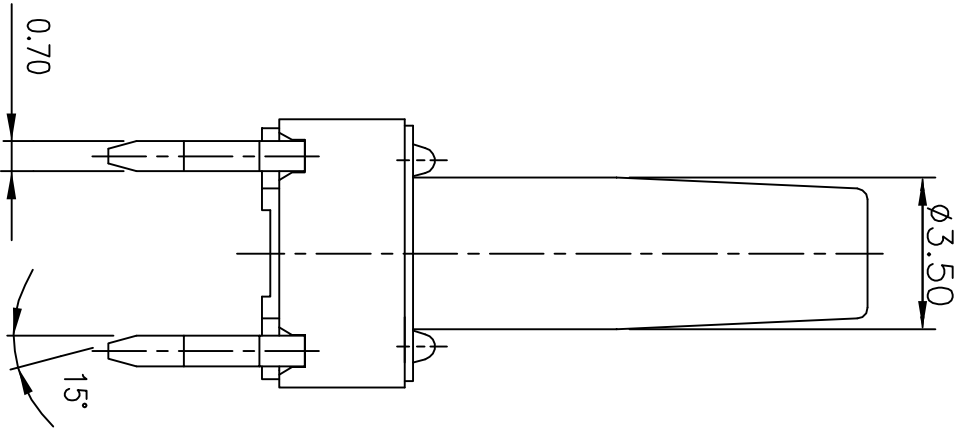
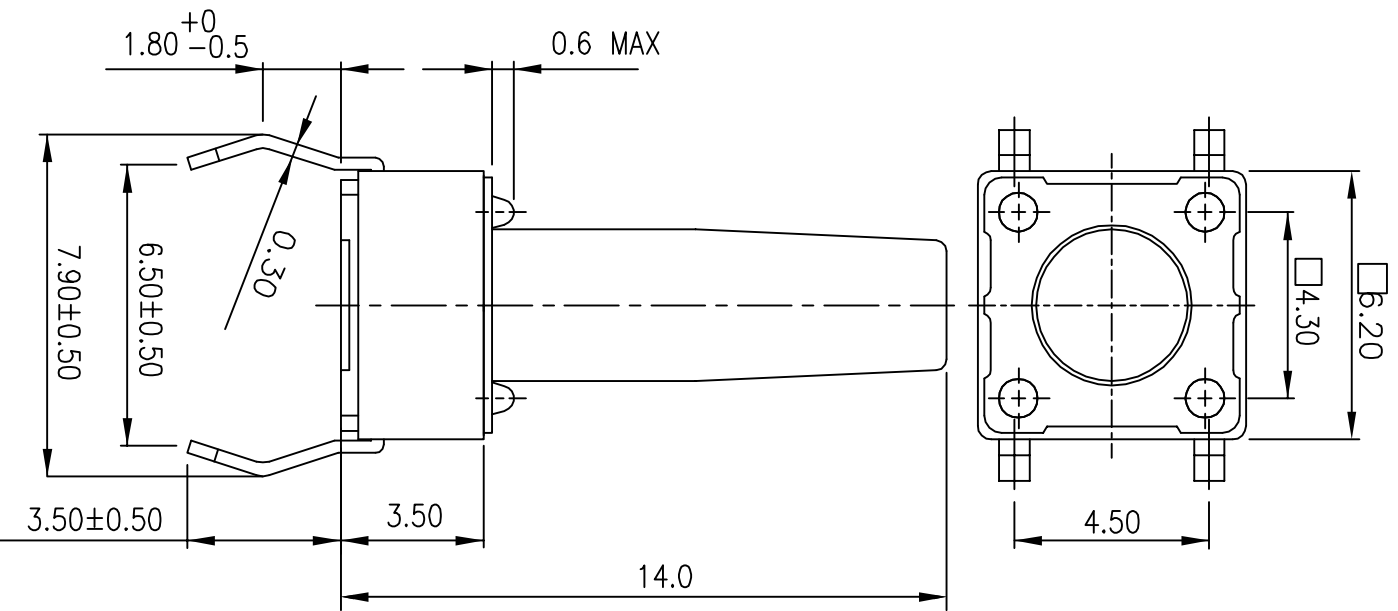
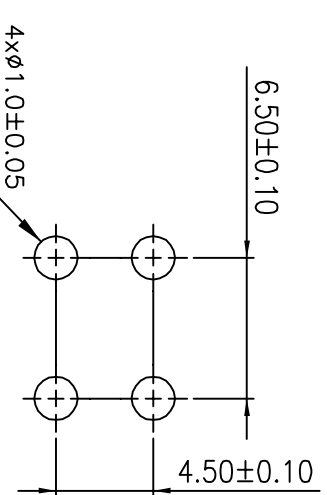


NOTE:
 1. ALL DIMENSIONS ARE IN MILLIMETERS BRACKETED DIMENSIONS ARE IN INCHES.
 2. GENERAL TOLERANCES MAX. ±0.20mm.



CIRCUIT DIAGRAM



P.C.B. LAYOUT

ZONE/REV.	A	DWG/REL.	12.30'06	DATE	APPD.												
<table border="1"> <tr> <td>APPD:</td> <td>QTY:</td> </tr> <tr> <td>CHKD:</td> <td>SCALE: 8 : 1</td> </tr> <tr> <td>DR: PAGOY</td> <td>REV: A</td> </tr> <tr> <td>DESIGN:</td> <td>UNITS: mm</td> </tr> <tr> <td></td> <td>PART NO: DTS-66-V-14</td> </tr> <tr> <td></td> <td>MATL: FINISH:</td> </tr> </table>						APPD:	QTY:	CHKD:	SCALE: 8 : 1	DR: PAGOY	REV: A	DESIGN:	UNITS: mm		PART NO: DTS-66-V-14		MATL: FINISH:
APPD:	QTY:																
CHKD:	SCALE: 8 : 1																
DR: PAGOY	REV: A																
DESIGN:	UNITS: mm																
	PART NO: DTS-66-V-14																
	MATL: FINISH:																
<p style="text-align: center;">圖達實業股份有限公司 DIPTRONICS MANUFACTURING INC.</p>																	
<p style="text-align: center;">PART NAME: TACTILE SWITCH 6X6 (MECHANICAL CONTACT TYPE) DWG NO: R D 5 P 6 -V-14</p>																	