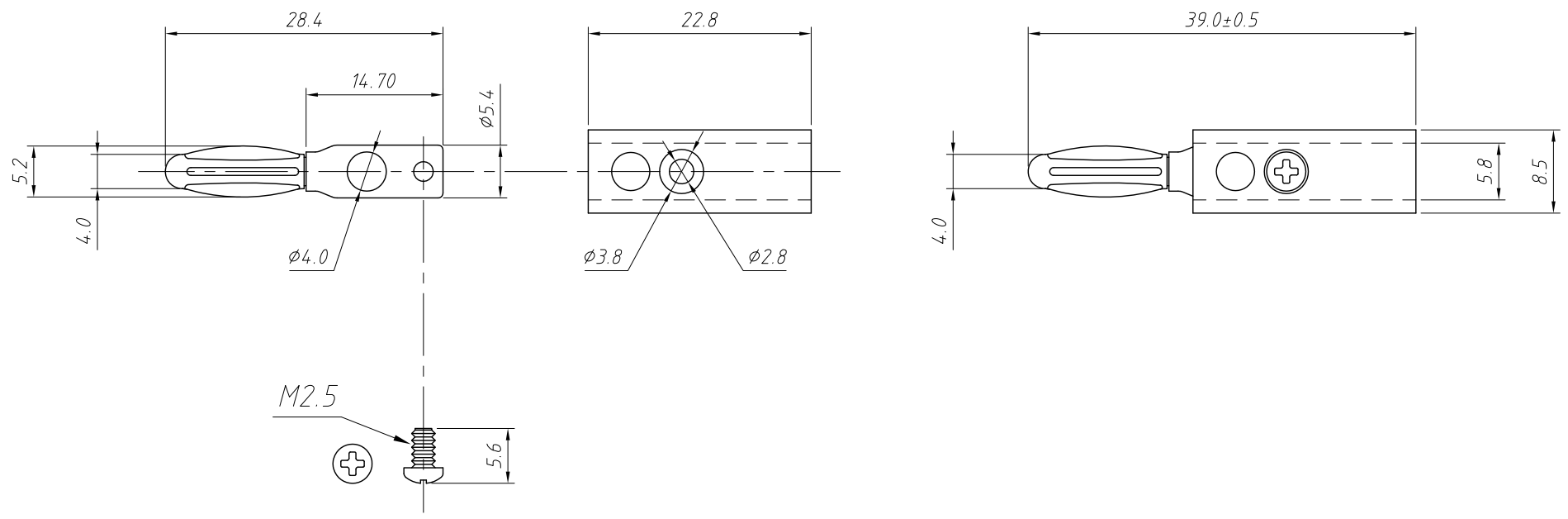
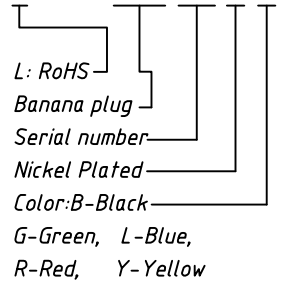


1  
RoHS Compliance



Order Information:  
L-KLS1-BAP-010-N-B



Note:  
RoHS JT-1887, Nickel Plated, Black

GENERAL TOLERANCE	PROJECTION		Description:
X. ±0.50	UNITS	mm	4mm Banana plug
.X ±0.25	SCALE	1:1.5	
.XX ±0.10	Draw by:	Jenny	KLS P/N: L-KLS1-BAP-010-N-B
ANGLE TOLERANCE	Check by:		NingBo KLS ELECTRONIC CO.,L TD.
X. ±5°	Date	2021-04-15	
.X ±3°	SHEET	1 OF 1	
.XX ±2°			