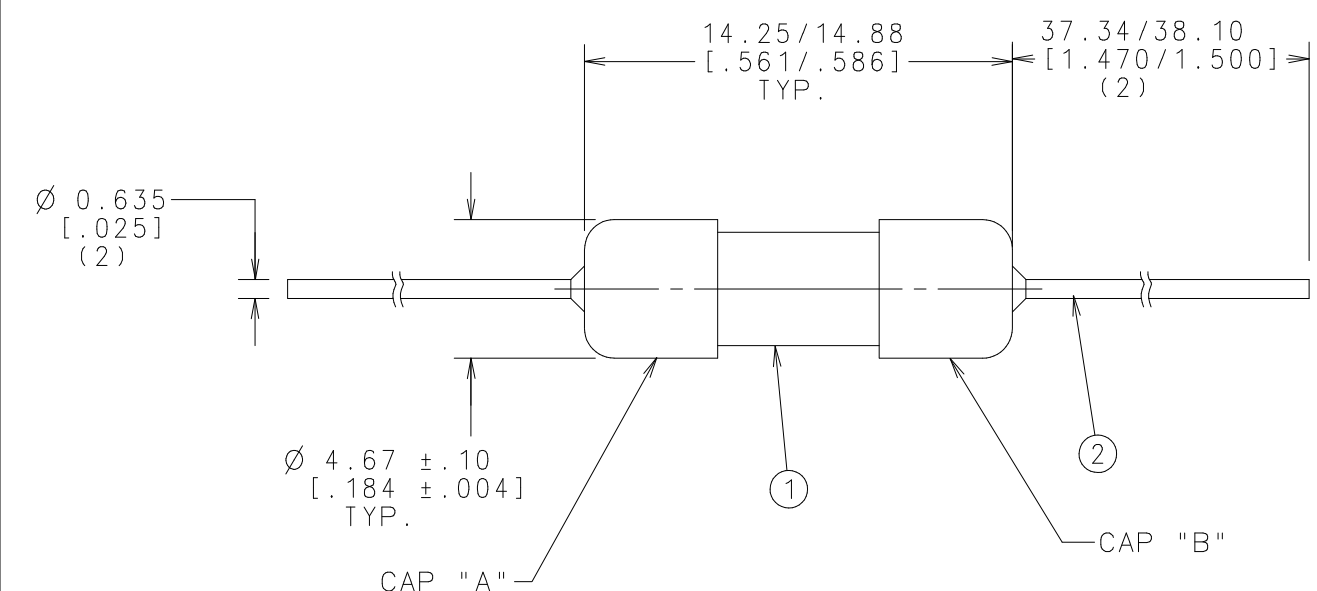


PART NUMBER	AMPS	VOLTS	FUSE SUB-ASSEMBLY	CATALOG NUMBER	DESCRIPTION	UPC CODE	CE LOGO	CSA LOGO	I.R. REQ'D	UL RECOGNIZED	RoHS LOGO	Pb-FREE LOGO
047901.5MXEP	1.5	600	47901.5W-P	047901.5	FUSE 600V FA PT 2AG PB-FREE 1.5A	079458 15669	YES	NO	20A 600V AC	YES	YES	YES
0479002.MXEP	2	600	479002W-P	0479002.	FUSE 600V FA PT 2AG PB-FREE 2A	079458 15670	YES	NO	20A 600V AC	YES	YES	YES
047902.5MXEP	2.5	600	47902.5W-P	047902.5	FUSE 600V FA PT 2AG PB-FREE 2.5A	079458 15671	YES	NO	20A 600V AC	YES	YES	YES
0479003.MXEP	3	600	479003W-P	047903.	FUSE 600V FA PT 2AG PB-FREE 3A	079458 15965	YES	NO	20A 600V AC	YES	YES	YES
0479004.MXEP	4	600	479004W-P	047904.	FUSE 600V FA PT 2AG PB-FREE 4A	079458 15966	YES	NO	20A 600V AC	YES	YES	YES
0479005.MXEP	5	600	479005W-P	047905.	FUSE 600V FA PT 2AG PB-FREE 5A	079458 15967	YES	NO	20A 600V AC	YES	YES	YES

LTR	DATE	REVISION	CHK	APD
A	1/14/08	000272ER - RELEASED	RP	
B	2/07/08	000295ER - RELEASED 3, 4 & 5A	RP	



- NOTES:**
- MEASURE COLD RESISTANCE PER ES-001030.
 - CAP TO LEAD WELD SHALL WITHSTAND A PULL OF 10 LBS. WITHOUT SEPARATING.

- PACKAGING NOTES:**
- PACK 1000 FUSES IN CARTON, FILL WITH FOAM PAD. CLOSE AND SEAL WITH TAPE 088120 AND LABEL.
 - LABEL TO BE APPLIED TO THE END OF THE BOX WITH BAR CODE PORTION WRAPPED AROUND THE SIDE.

NO	COMPONENT NO	DESCRIPTION	QTY/M	U/M
-	580460	CARTON	1	EAD
2	082706	LEAD WIRE	214	G
1	SEE CHART	FUSE SUB-ASSEMBLY	1000	EA

BILL OF MATERIAL

UNLESS OTHERWISE SPECIFIED, DIMENSIONS ARE IN MILLIMETERS. DIMENSIONS IN BRACKETS [] ARE INCHES.
UNLESS OTHERWISE SPECIFIED, DIMENSIONS DO NOT INCLUDE PLATING.

○	DENOTES CRITICAL CHARACTERISTICS.
CPK	DENOTES CPK DIMENSIONS, -MINIMUM CPK VALUE
(ST)	DENOTES A CHARACTERISTIC THAT PROVIDES AN INDICATION OF PROCESS PERFORMANCE. PROCEDURE FOR MEASUREMENT AND TRACKING TO BE DEFINED IN LITTELFUSE INSPECTION INSTRUCTIONS.
CP	DENOTES CP DIMENSIONS, -MINIMUM CP VALUE. MUST BE WITHIN THE DIMENSIONAL LIMITATIONS SHOWN ON DRAWING AND INITIALLY LOCATED TO ALLOW FOR MAXIMUM TOOL LIFE.

COPIES TO	MATL SPEC
1 9 18	FINISH DRW RP DATE 1/14/07 SCALE 4:1 CHK DATE SUPER DR APPS DATE FINISH GOOD WT GRAMS/PIECE TOLERANCE UNLESS OTHERWISE SPECIFIED TWO PLACE DEC ± 0.25 [0.01] FRACTION ± THREE PLACE DEC ± 100 [0.004] ANGULAR ± 1° 3RD ANGLE PROJECTION TITLE 2AG FAST ACTING FUSE WITH WELDED LEADS 1000 PACK
2 10 19	
3 12 20	
4 13 21	
5 14 23	
6 15 33	
7 16 43	
8 17 93	

(1P) PART NO 047901.5MXEP	精リテールユース 電子機器用
0 79458 15669 0	RoHS
CATALOG/PREVIOUS No: 047901.5	(Pb)
(11) LOT NO TEST 2AG	UL
FUSE 600V FA PT 2AG PB-FREE 1.5A	CE
10/03/07	
MM/DD/YY	
LITTELFUSE INC. COUNTRY OF ORIGIN CHINA	

NOTE: LABEL ILLUSTRATION(S) IS FOR REFERENCE ONLY. THE ACTUAL COPY AND REGULATORY MARKINGS WILL VARY BY THE INDIVIDUAL PART NUMBER. SEE CHART.

Littelfuse
DES PLAINES, ILLINOIS 60016

REVISION B DRAWG. NO. 0479000.MXEP FINAL SERIES

CAD GENERATED DRAWING - NO PENCIL CHANGES ALLOWED