

# 54100 SERIES TOGGLE SWITCH

## Water Resistant Toggle Switches



54100-01



54100



54103



54109

### Features and Benefits

- Silver contacts for corrosion resistance
- O-Ring Sealed Bushing

### Specifications

<b>Voltage Rating:</b>	80 V DC or max rating of the fuse
<b>Max Continuous Current:</b>	400A
<b>Available Fuse Rating:</b>	40- 600A
<b>Fuse Terminal Torque:</b>	M8 Nut: 14 ± 2 Nm
<b>Operating Temp:</b>	-40° to 105° C

### Applications

- Construction Equipment
- Agricultural Equipment
- Material Handling Equipment
- Commercial Vehicles

### Web Resources

Download 2D print, 3D model and more at:  
[littelfuse.com/54100](http://littelfuse.com/54100)

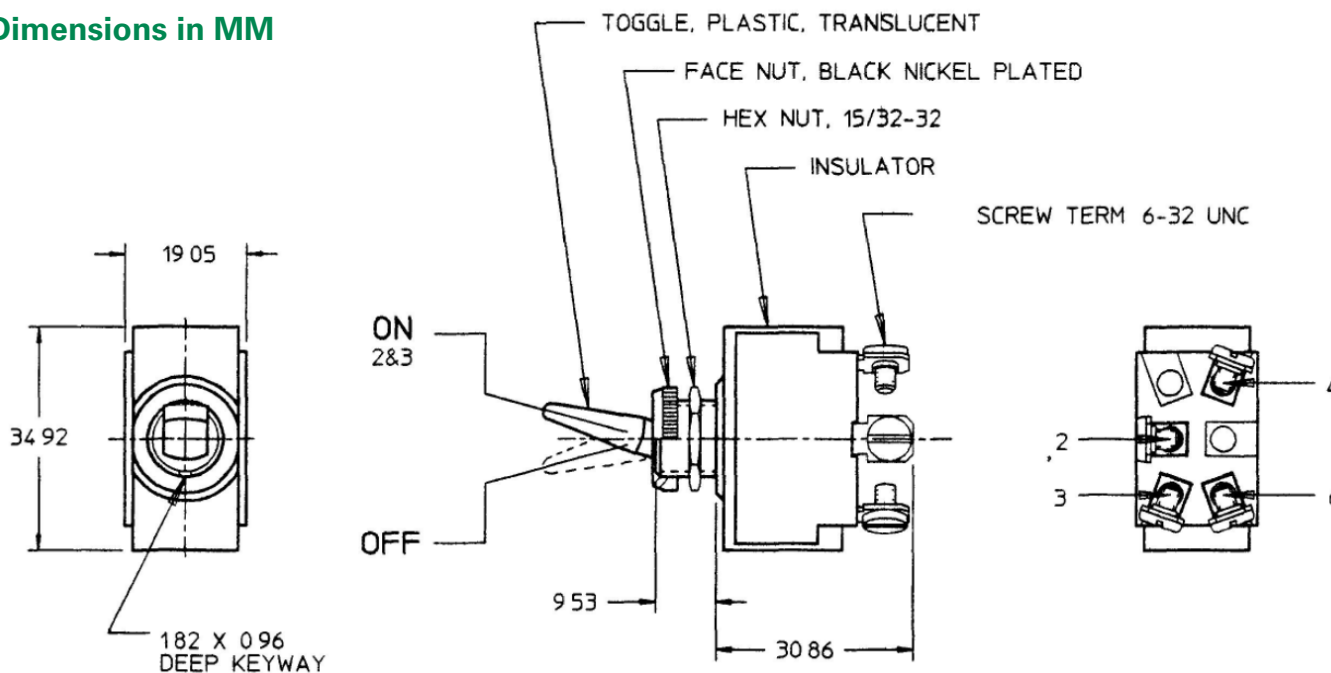
### Ordering Information

Please see page 2 for more information

### Description

Littelfuse Toggle Switches are designed for universal applications within harsh environments. Their mounting, body, and actuator features are designed for ease-of-use and extended product lifecycle. The 54100 series includes part 54109 which features an illuminated toggle indicating position.

### Dimensions in MM



\* Dimensions shown for 54109, Dimensions may vary per part number

# 54100 SERIES TOGGLE SWITCH

## Water Resistant Toggle Switch

### Ordering Information

PART NUMBER	ELECTRICAL RATING	CIRCUITRY	UP POSITION	CENTER POSITION	DOWN POSITION	HOUSING	HANDLE TYPE	TERMINALS
54100 *	25A at 12V DC	SPST	On	None	Off	Black plastic	Wedge	2 Screw
54100-01 *	25A at 12V DC	SPST	On	None	Off	Black plastic	Wedge	2 Blade
54101	25A at 12V DC	SPST	Momentary On	None	Off	Black plastic	Wedge	2 Blade
54101-01	25A at 12V DC	SPST	Momentary On	None	Off	Black plastic	Wedge	2 Blade
54103 *	25A at 12V DC	SPDT	On	Off	On	Black plastic	Wedge	3 Screw
54104 *	25A at 12V DC	SPDT	Momentary On	Off	Momentary On	Black plastic	Wedge	3 Screw
54105	25A at 12V DC	DPST	On	—	Off	Black plastic	Wedge	4 Screw
54107	25A at 12V DC	DPDT	On	Off	On	Black plastic	Wedge	6 Screw
54107-01 *	25A at 12V DC	DPDT	On	Off	On	Black plastic	Wedge	6 Blade
54109 *	25A at 12V DC	SPST	On/Red	None	Off/White	Black plastic	Wedge	4 Screw
54109-01	25A at 12V DC	SPST	On/Red	None	Off/White	Black plastic	Wedge	4 Blade
54110	25A at 12V DC	SPST	On/Red	Off	On/White	Black plastic	Wedge	5 Screw
54110-01	25A at 12V DC	SPST	On/Red	Off	On/White	Black plastic	Wedge	5 Screw

\* Box and Retail Blister Pack Available



Visit [Littelfuse.com](http://Littelfuse.com) for the most up-to-date product information. Littelfuse products are designed for specific applications and should not be used for any purpose (including, without limitation, automotive applications) not expressly set forth in applicable Littelfuse product documentation. Warranties granted by Littelfuse shall be deemed void for products used for any purpose not expressly set forth in applicable Littelfuse product documentation. Littelfuse shall not be liable for any claims or damages arising out of products used in applications not expressly intended by Littelfuse as set forth in applicable Littelfuse product documentation.