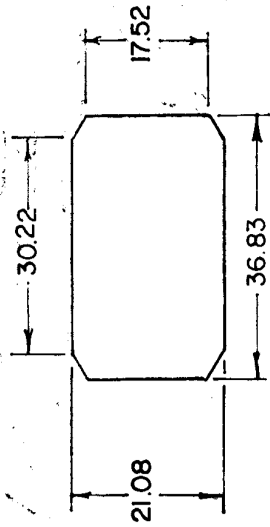


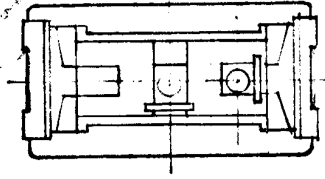
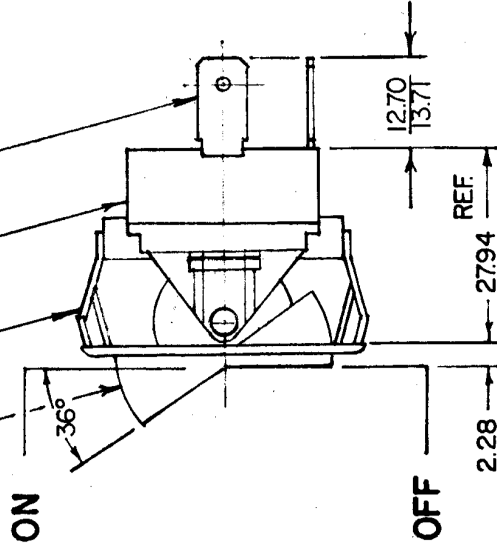
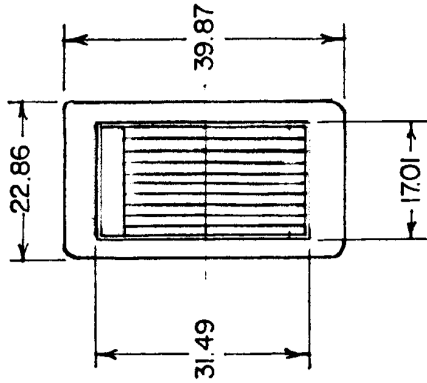
MM: .610  
 .725  
 2.28  
 9.65  
 12.70  
 19.71  
 17.01  
 17.52  
 21.09  
 22.86  
 27.94  
 30.49  
 31.49  
 36.53  
 39.87

57000-01  
 57000-05

ROCKER, WHITE  
 BEZEL, STEEL, NICKEL PLT., BRIGHT FIN.  
 TERM. INSUL., MOLDED PHENOLIC  
 MALE BLADE TERM., BRASS, SAE J858  
 TYPE IB (2 REQ'D)



MOUNTING HOLE DETAIL



NOTE:

1. HEAVY DUTY
2. SILVER CONTACT RIVETS & SILVER CONTACT PAD
3. 25 AMPS AT 12 VDC LAMP LOAD

**METRIC**

DO NOT SCALE

57000-05 SAME AS 57000-01 EXCEPT  
 BEZEL, NICKEL PLATE, DULL FINISH

LET.	WAS	DATE	BY LET	WAS	DATE	BY	MATERIAL	DRAWN	CHECKED	APPR'D	SCALE	DATE DRAWN
							#	CF	✓		1:1	9-19-67
							FINISH					DATE BLUEPRINT
 Cole Hersee Co. 20 COLONY AVENUE SOUTH BOSTON, MA, U.S.A. 02127												
S. P. - S. T. <b>ROCKER SWITCH</b>												
TOLERANCES DECIMAL ± .010 METRIC ± .25												
				H REDRAWN	5-18-79	H						57000-01
												57000-05

CH-188(4-78)