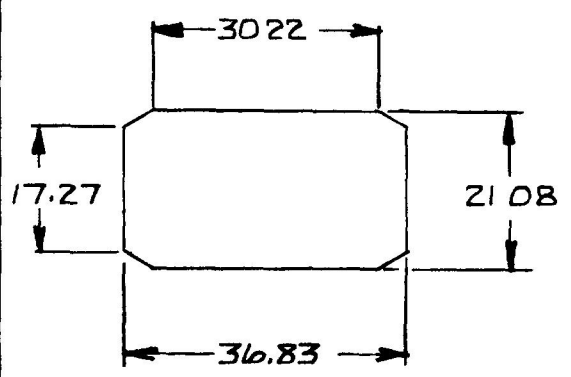
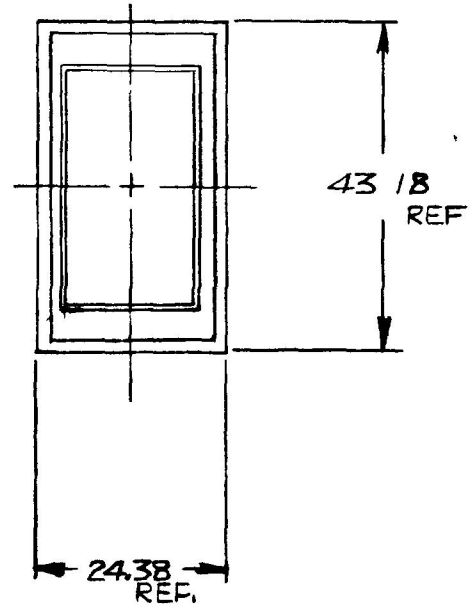


MM	IN
75	.010
17.27	.680
21.08	.830
24.38	.960
30.22	1.190
35.60	1.401
36.83	1.450
43.18	1.700

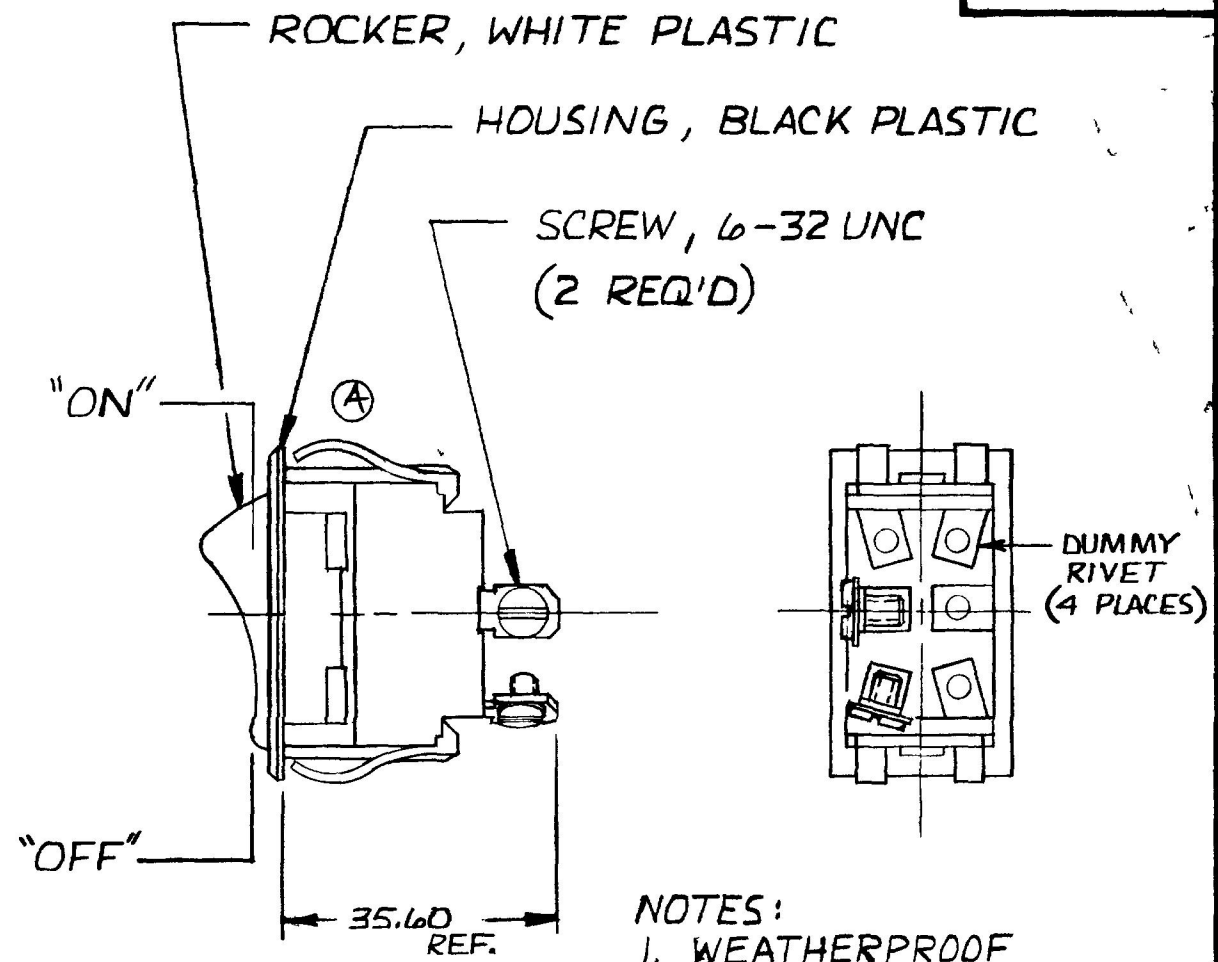
56000-08



MTG. HOLE DETAIL



METRIC



- NOTES:
1. WEATHERPROOF
 2. SILVER CONTACTS
 3. HEAVY DUTY
 4. 25 AMP @ 12V DC LAMP LOAD

DO NOT SCALE

LET	WAS	DATE	BY	LET	WAS	DATE	BY	MATERIAL	DRAWN	CHECKED	APPR'D	SCALE	56000 01 WEATHERPROOF	DATE DRAWN
								— # —	DPS	RJA		1:1		4-23-80
								FINISH	 <small>20 OLD COLON ENUE SOUTH BOSTON MA 02 27</small>					DATE BLUEPRINT
				A	ECN 23335	12-1-86	ZW	— # —						
					ISSUED	10 7 81	RJA	TOLERANCES	SP-ST ROCKER SWITCH					56000-08
					RE DRAWN	11 14 83	K.G	DECIMAL ±						
								METRIC ± .25						

CH 188(4 78)