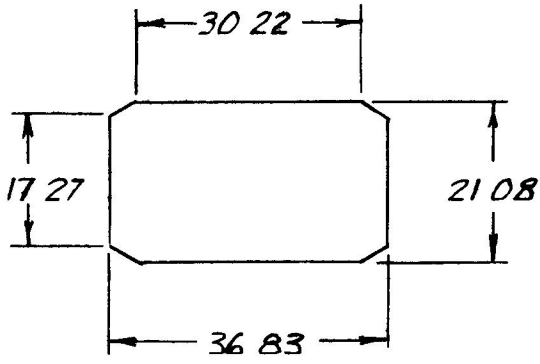


56012-04

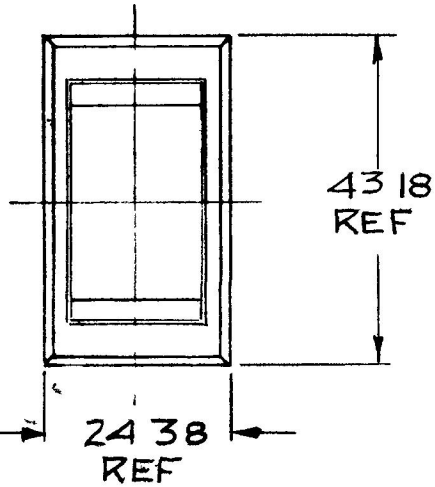
MM IN
 1727 680
 2108.830
 2438 960
 3022 1190
 3560 1401
 3683 1450
 4318 1700

REF
 BLADE
 57004-10

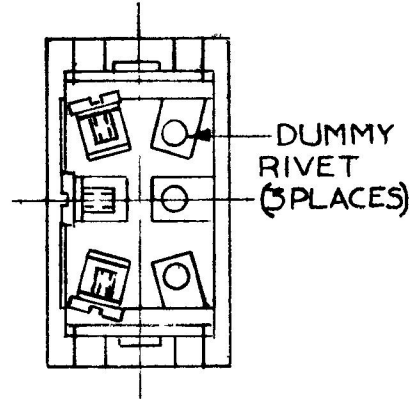
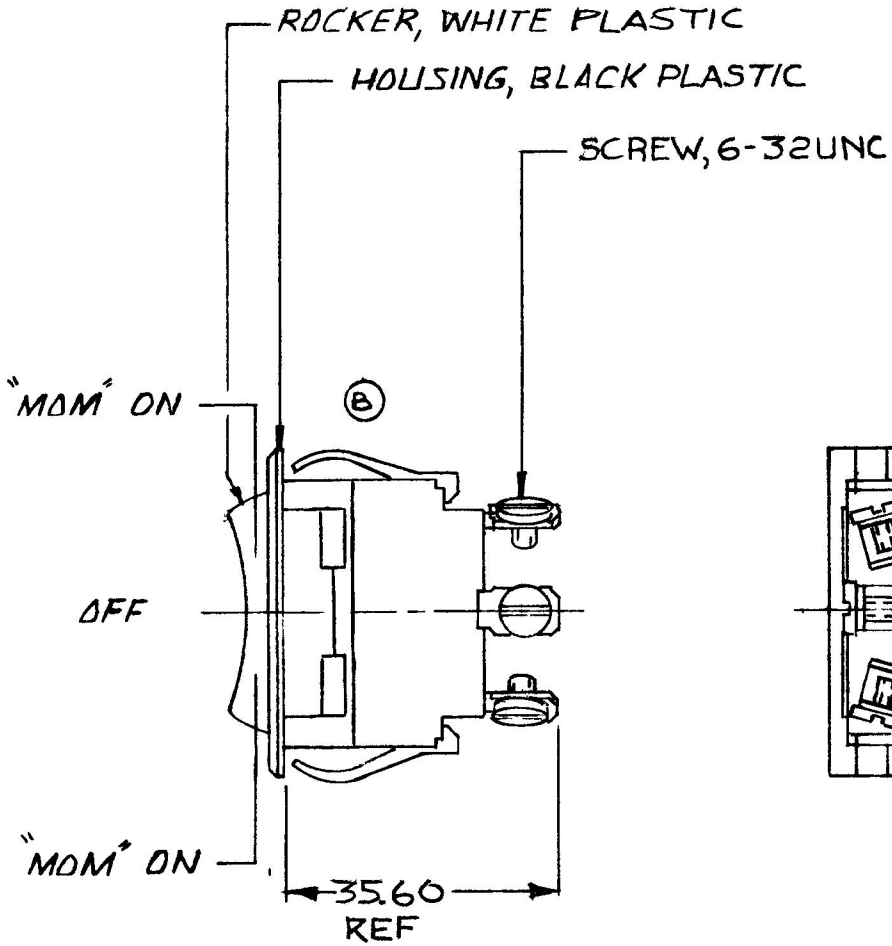
EX-18867-D



MTG HOLE DETAIL



METRIC



- NOTES
 1. WEATHER PROOF
 2. SILVER CONTACTS
 3. HEAVY DUTY
 4. 25 AMP 12 VDC LAMP LOAD

DO NOT SCALE

| LET | WAS | DATE | BY | LET | WAS | DATE | BY | MATERIAL | DRAWN | CHECKED | APPRV D | SCALE | 56012-01 WEATHER PROOF | DATE DRAWN |
|-----|-----|------|----|-----|-----------|----------|-----|--------------|-----------------|---------|---------|-------|------------------------|----------------|
| | | | | | | | | X | DPS | 4-2-80 | | 1:1 | | 3-31-80 |
| | | | | | | | | FINISH | Cole Hersee Co. | | | | | DATE BLUEPRINT |
| | | | | B | ECN 23335 | 12-11-86 | ZU | X | | | | | | |
| | | | | | ISSUED | 10-7-81 | RJR | TOLERANCES | SPDT ROCKER SW | | | | | 56012-04 |
| | | | | A | REVISED | 6-8-81 | PS | DECIMAL ± | | | | | | |
| | | | | | | | | METRIC ± .25 | | | | | | |