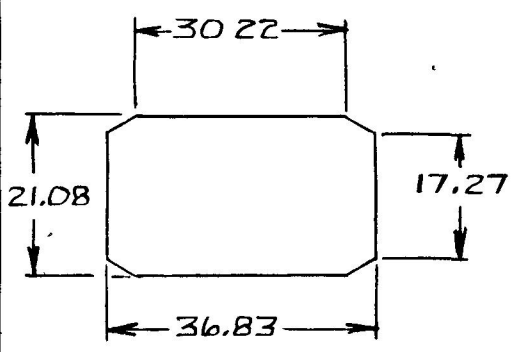
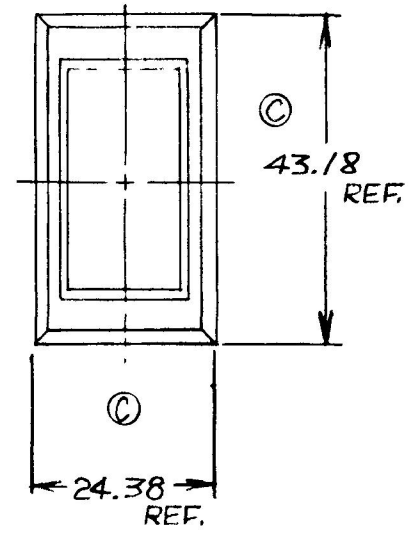


57014-03

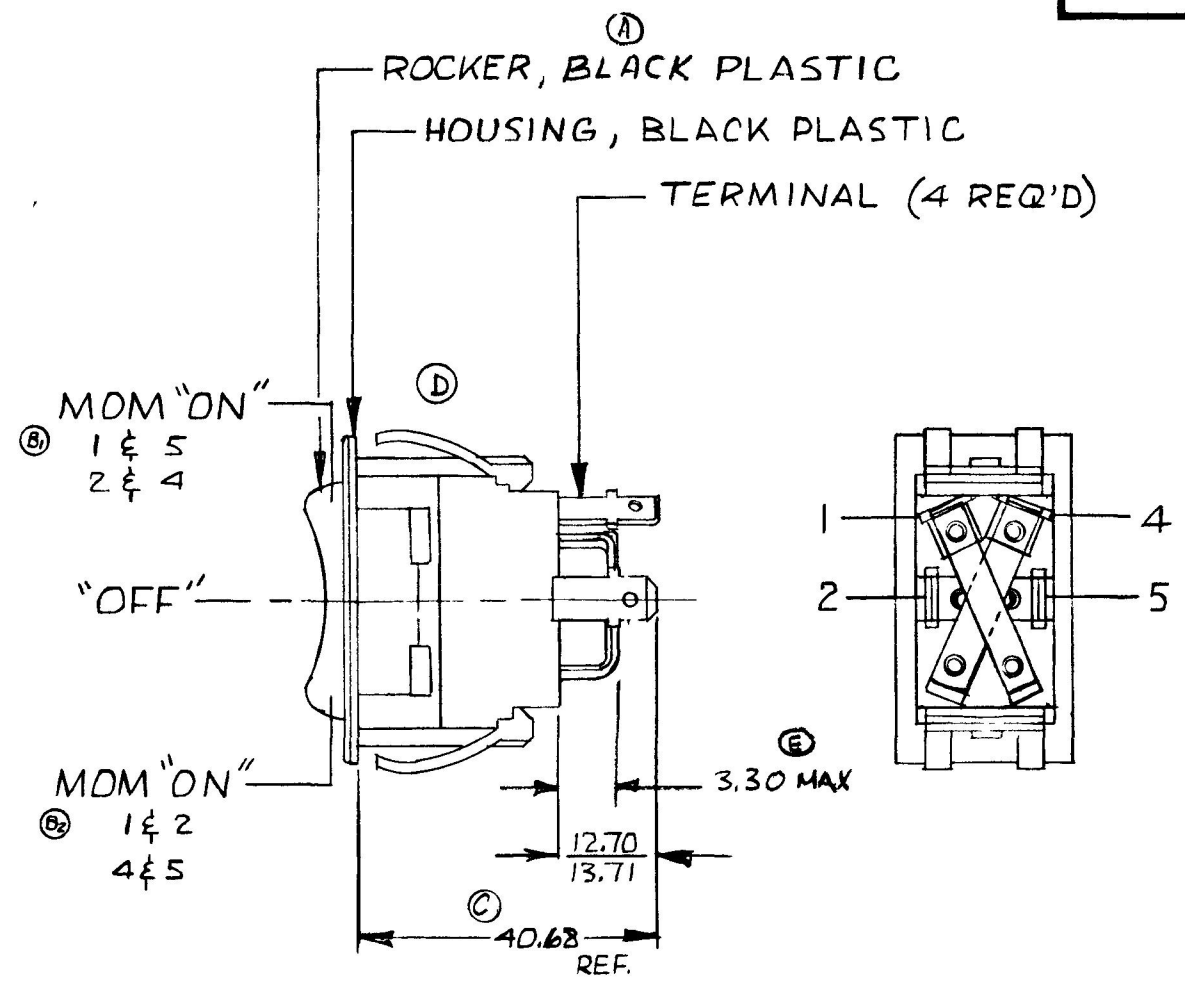
MM	IN
.25	.010
17.70	.500
13.71	.540
17.27	.680
21.08	.830
24.38	.960
30.22	1.190
36.83	1.450
40.68	1.601
43.18	1.700



MTG. HOLE DETAIL




METRIC



- NOTES: (C)
1. WEATHERPROOF
 2. SILVER CONTACTS
 3. HEAVY DUTY
 4. 25 AMPS @ 12 VDC LAMP LOAD

DO NOT SCALE

LET	WAS	DATE	BY	LET	WAS	DATE	BY	MATERIAL	DRAWN	CHECKED	APPRV'D	SCALE	BASIC DIM. & TOLER.	DATE DRAWN
				C	REV./21346	5-20-81	(B)	—H—	(B)	RA		1:1	BASIC DIM. & TOLER. WEATHERPROOF	10-2-80
				B ₂	WAS MDM ON 1,4 / 21239	11-24-80	(C)	FINISH						DATE BLUEPRINT
				B ₁	WAS MDM ON 2,5 / 21239			—H—						
E	ECN 24267	1-31-90	RF		ISSUED	10-9-80	RA	TOLERANCES	 Cole Hersee Co. <small>30 OLD COLONY AVENUE SOUTH BOSTON MA. U.S.A. 02137</small>					57014-03
D	ECN 23335	12-11-80	WA	A	WHITE	10-9-80	RA	DECIMAL ±, METRIC ±.25						REVERSING ROCKER SWITCH

CH-188(4-78)