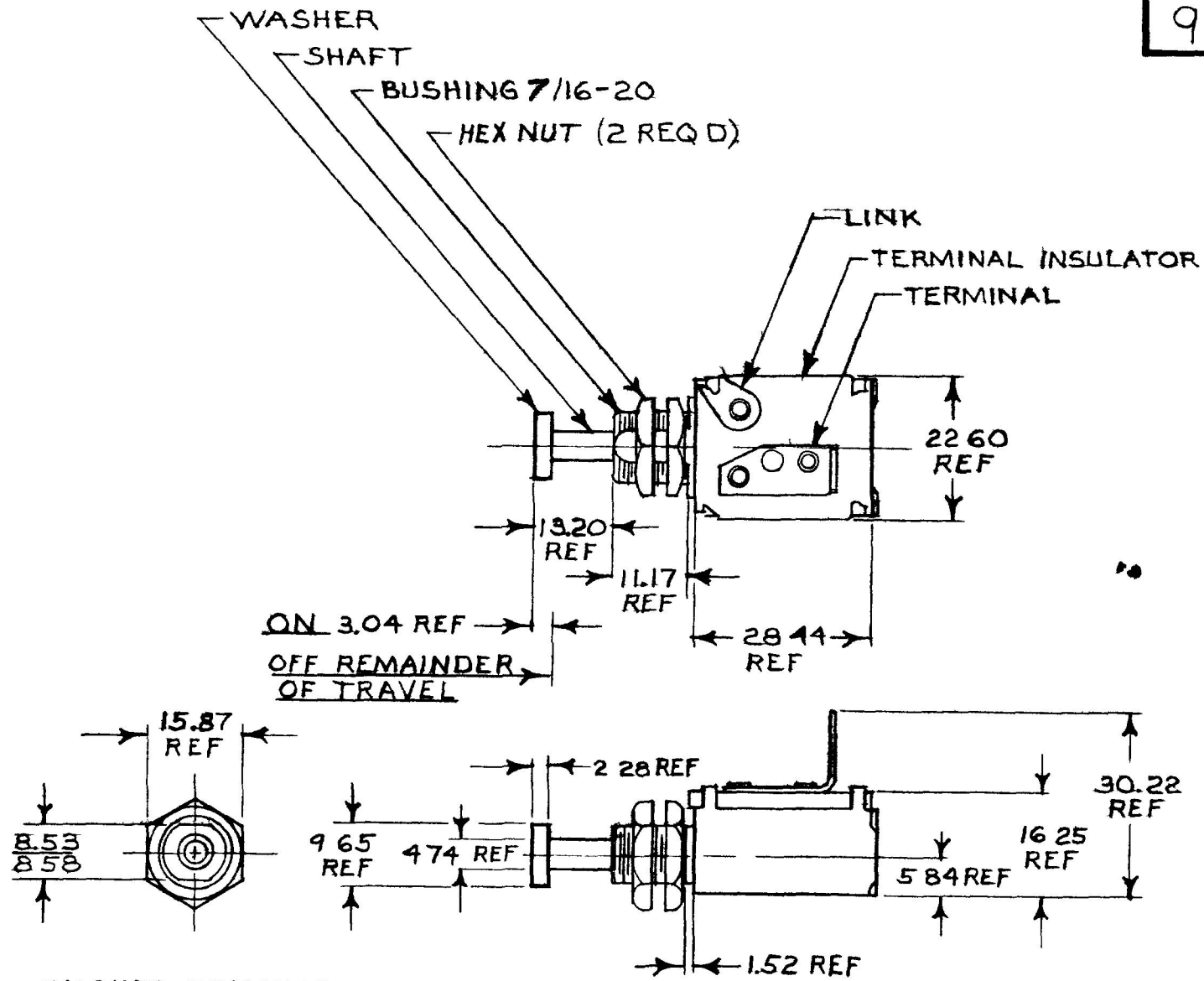


91812

MM	INCH
152	06
228	09
304	12
474	187
584	230
853	336
858	338
965	380
1117	440
1320	520
1587	625
1625	640
2260	890
2844	112
3622	119

EX-13553



METRIC WASHER REMOVED

DO NOT SCALE

LET	WAS	DATE	BY	LET	WAS	DATE	BY	MATERIAL	W	EC	ED	APPRV	SC	LE	DATE DRAWN
								<i>H</i>	MF				11		9-23-63
								FINISH							DATE BLUEPRINT
								<i>H</i>							
								TOLERANCES							
								DECIMAL ±							
								METRIC ±							
					H	REDRAWN	8/3/61	AK							SWITCH, MOM, NC, GND 91812

**CH** Cole Hersee Co.  
OL ON RUE SOUTH BO ON SET

CH 188(4 78)