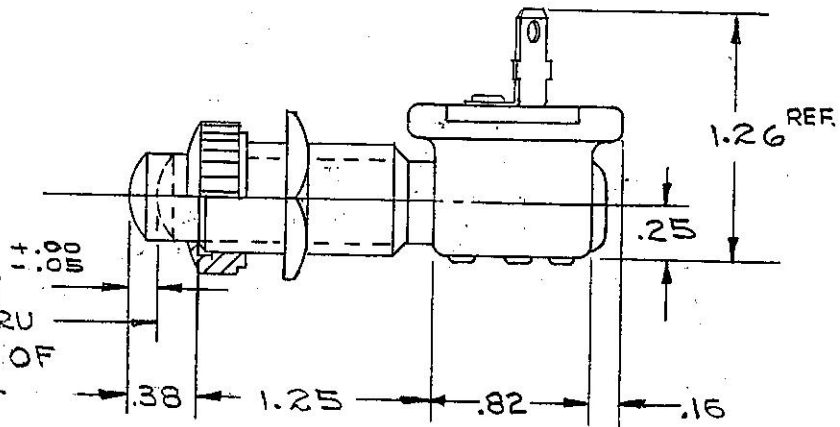
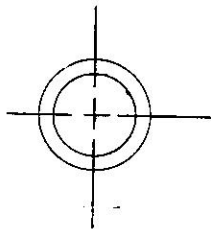
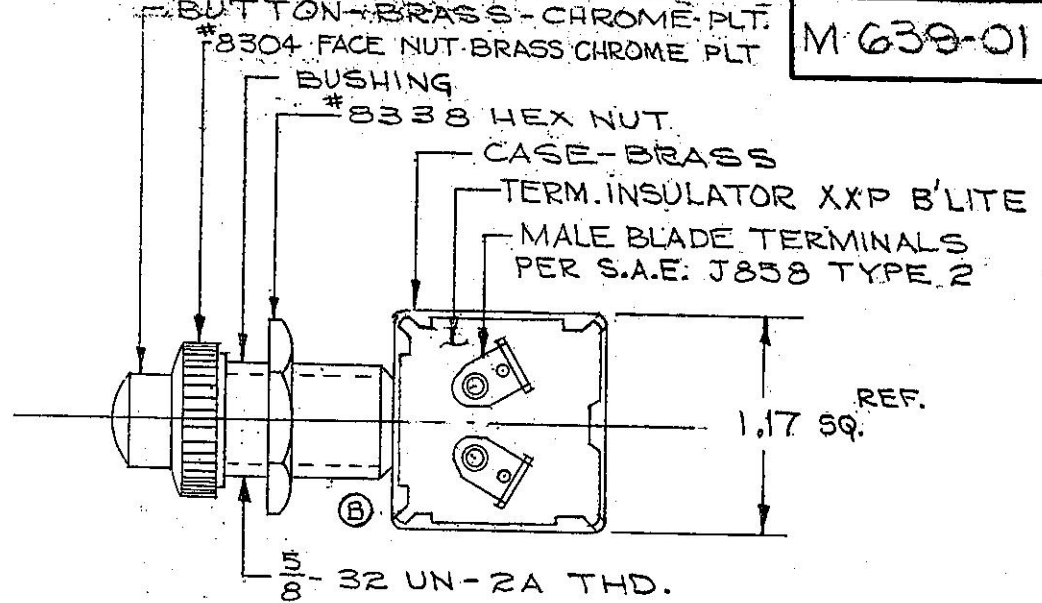


EX:14252-F

COLE-HERSEE CO.



NOTE  
 1. ALL METAL PARTS TO BE PLAIN BRASS UNLESS NOTED  
 2. ALL HARDWARE SHIPPED BAGGED  
 REMAINDER OF TRAVEL

INSERTION PRESSURE 3 1/2# TO 5#

10 AMPS @ 12 VOLTS  
 RESISTIVE LOAD

LET	WAS	DATE	BY	LET	WAS	DATE	BY	MATERIAL	DRAWN	CHECKED	APPR'D	SCALE	WORK ON M639 WITH BLADE TERM.	DATE DRAWN
				D	ECN # 82358	10-10-67	JH	✓	CF	UMK		FULL	(A)	2-8-66
				C	ECN # 99173	5-13-69	DP	FINISH	<b>COLE-HERSEE COMPANY</b> BOSTON 27, MASS., U. S. A.					DATE ISSUED
				B	ECN # 27164 ADDED CUTOUT	12-23-97	JMP	✓						
				A	ADDED #16910	2-17-70	JH	TOLERANCES	<b>MOMENTARY SW.</b>					PART NO.
					ISSUED	1-10-67	FF	FRACTIONAL ±.015 DECIMAL ±.010						