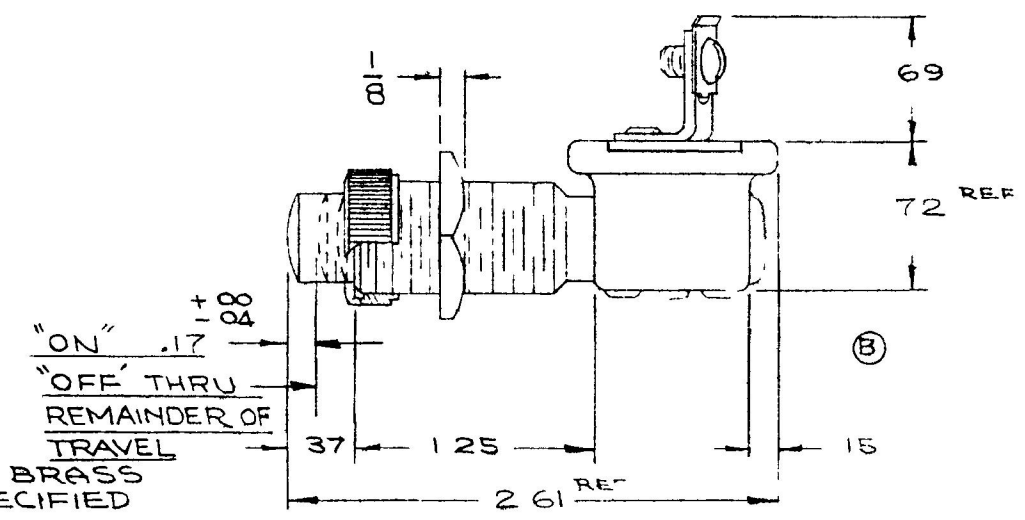
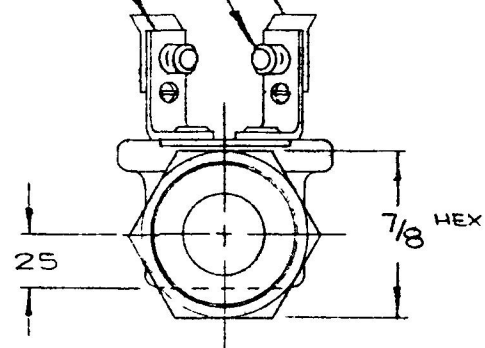
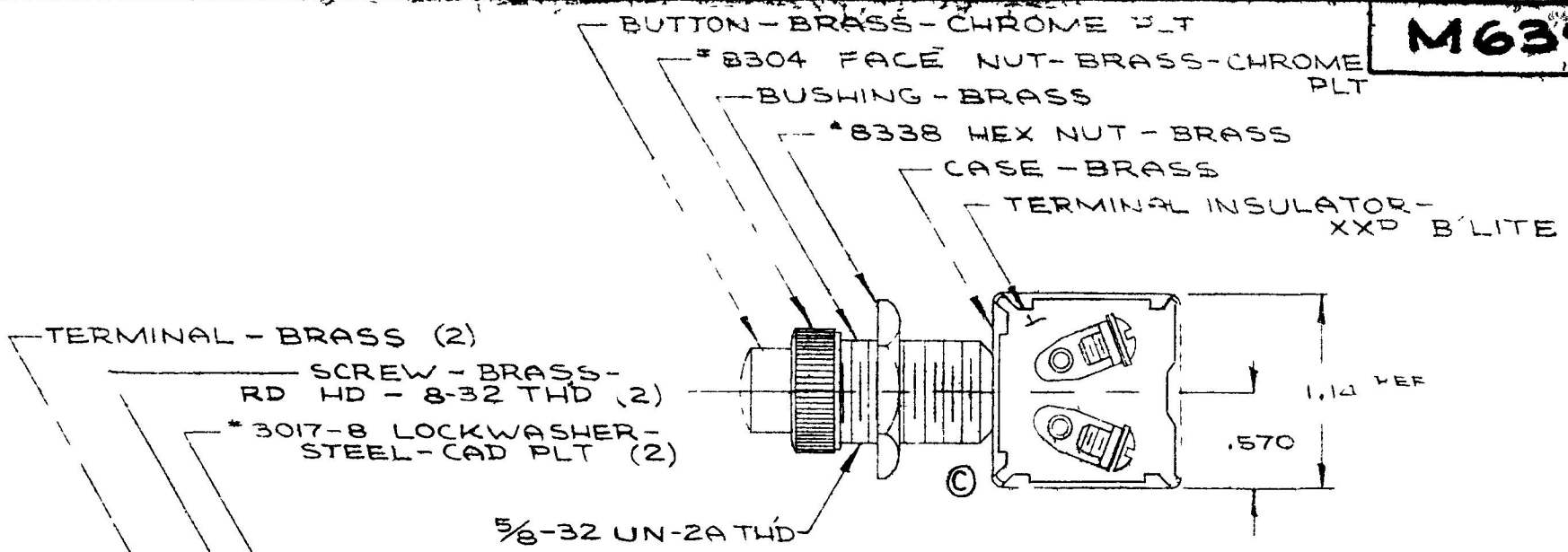


NDHM OFF
MAGE
EX-13830

COLE-HERSEE CO.

M639



NOTES
1 ALL METAL PARTS TO BE BRASS
'UNLESS OTHERWISE SPECIFIED

2 DEPRESSION FORCE 3 1/2# TO 5#
3 ALL HARDWARE SHIPPED LOOSE

10 AMPS @ 12 VDC. (A)

LET	WAB	DATE	BY	LEV	WAB	DATE	BY	MATERIAL	DRAWN	CHECKED	APPR V P	SCALE	USED ON	DATE DRAWN
				D	ECN #99173	9/31/78	JF		HK	✓		FULL		10-22-64
				C	ECN #27164 ADDED CUTOUT	12-31-97	Jmp	FINISH	COLE-HERSEE COMPANY BOSTON 27, MASS. U S A					DATE ISSUE
				B	ADDS STAMPED REV 21878	10-21-82	JF							
				A	ADD CURRENT RATING	3-14-67	JF	TOLERANCES FRACTIONAL ± 015 DECIMAL ± 010	MOM. SWITCH NC					PART NO M639
					ISSUE	10-28-64	A							