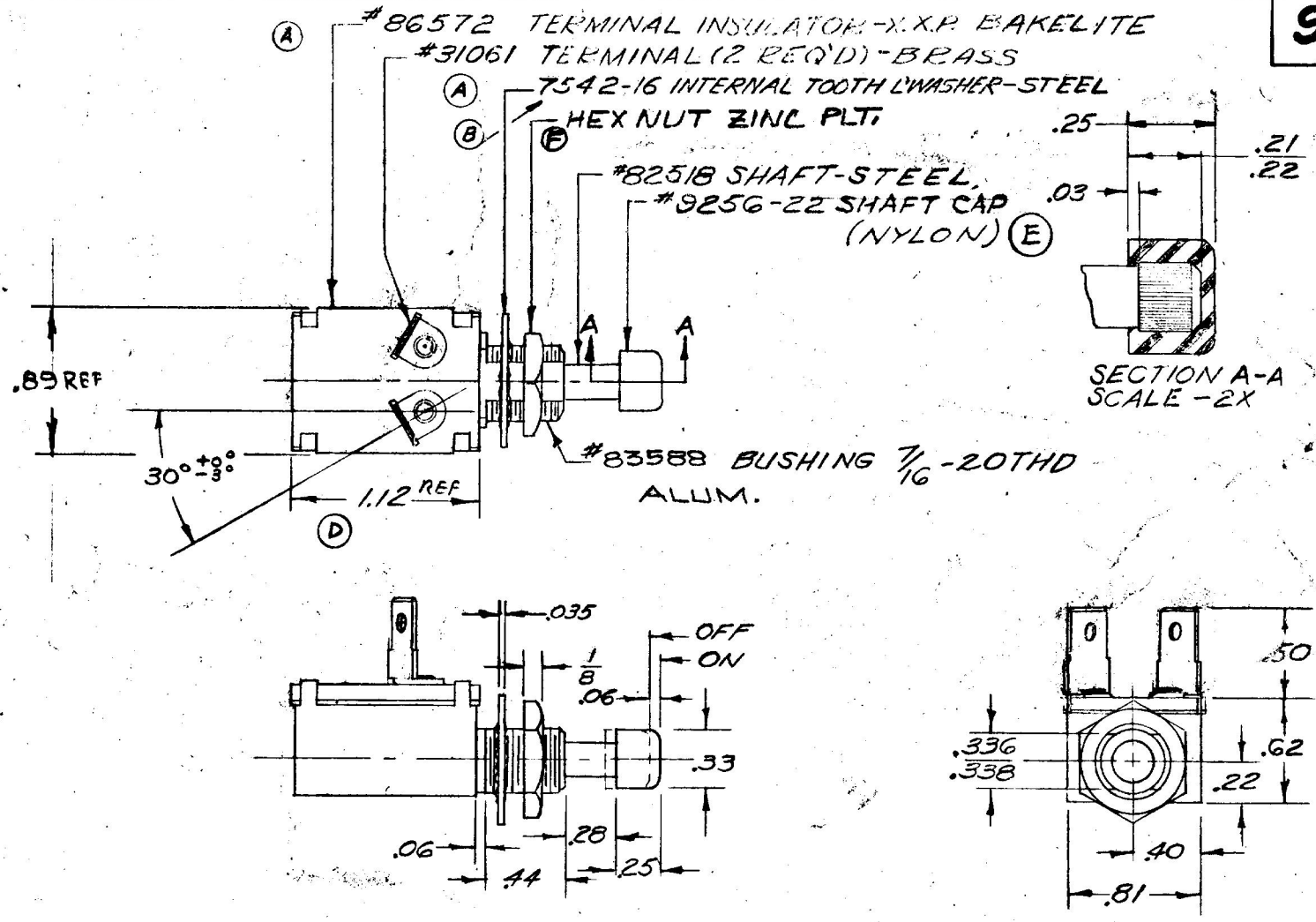


REF
SCREW
9256

9212



NOTES
 1) ALL STEEL PARTS PLATED (C)
 2) CONTACT & CONTACT RIVETS TO BE BRASS, NOT PLATED

NORMALLY "ON"

LET	WAS	DATE	BY	LET	WAS	DATE	BY	MATERIAL	DRAWN	CHECKED	APPR'V'D	SCALE	USED ON	DATE DRAWN
				D	ADD REF. 17518	1-11-76	RF		JP	H		1=1		3-7-58
				C	9025-2 13963	3-25-64	M	FINISH						DATE ISSUED
G	CAD PLT/25234	11/13/92	TJM	B	8322 10504	11-27-59	E							
F	REV 20975	10-15-80	(B)	A	8503 5007A-4	10492	EA	TOLERANCES FRACTIONAL ±.015 DECIMAL ±.010						
E	REV. ECN/18760	9-5-74	C		RELEASED	11-10-58	KAS							
NAME DOOR SWITCH													PART NO. 9212	
COLE-HERSEE COMPANY BOSTON 27, MASS., U. S. A.														

COLE-HERSEE CO