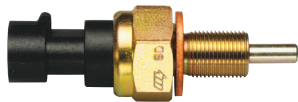


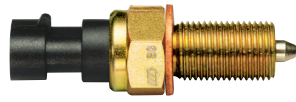
## 00711100 PLUNGER SWITCHES

12V/24V • “Superseal” Type • 1,5 series • Normally Open Mechanical



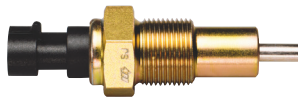
**00711100**

interchangeable with IVECO 98429631



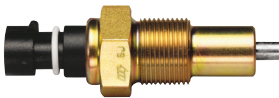
**00711200**

interchangeable with IVECO 4858212



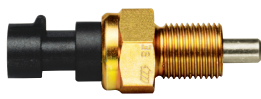
**00711400**

interchangeable with IVECO 4862212



**00711900**

interchangeable with IVECO 99437106



**00712000**

interchangeable with IVECO 99445107



**00711700**

interchangeable with IVECO 50302971



**00713000**

### Description

The mechanical switches signal many different situations that may occur on commercial vehicles: differential lock, low gears activation, handbrake failure, etc. Mechanical switches both with 12V and with 24V; available are versions with contacts normally open or contacts normally closed, and black seal connector IP 67/CEI EN 60529.

### Features and Benefits

- All the mechanical switches function both with 12V and with 24V
- Black seal connector IP 67/CEI EN 60529.
- Some versions are suitable for use under pressure conditions
- Silver plated contacts
- The superseal connector is protected with a rubber cap to prevent dirt intrusion before mounting

### Web Resources

Download technical resources at:  
[littelfuse.com/plungerswitches](http://littelfuse.com/plungerswitches)

### Specifications Overview

**Voltage:** 12V/24V  
**Ingress Protection:** IP69K

### Applications

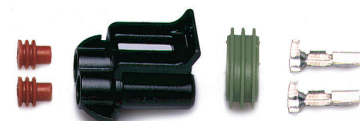
- IVECO Eurocargo
- IVECO Daily

### Ordering Information

	PART NUMBER	MATERIAL BODY	TYPE	LOAD WATT	CONTACT MATERIAL	USE IN PRESSURE	NUT
OB	00711100	Steel	Normally Open	3 watt lamp	silver-plated	-	22
OB	00711200	Steel	Normally Open	3 watt lamp	silver-plated	-	22
	00711400	Steel	Normally Open	3 watt lamp	silver-plated	-	27
	00711700	Steel	Normally Open	3 watt lamp	silver-plated	-	22
OB	00711900	Steel	Normally Open	3 watt lamp	silver-plated	-	27
OB	00712000	Steel	Normally Open	3 watt lamp	silver-plated	12,5 bar	22
	00713000	Steel	Normally Open	3 watt lamp	silver-plated	-	22

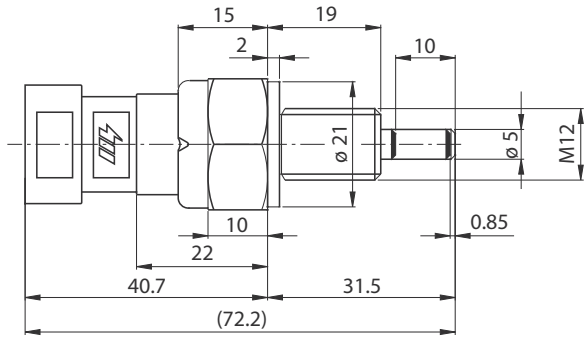
### Accessories

	PART NUMBER	DESCRIPTION
OB	00712100	Seal female connector for all switches with “Superseal” male connector

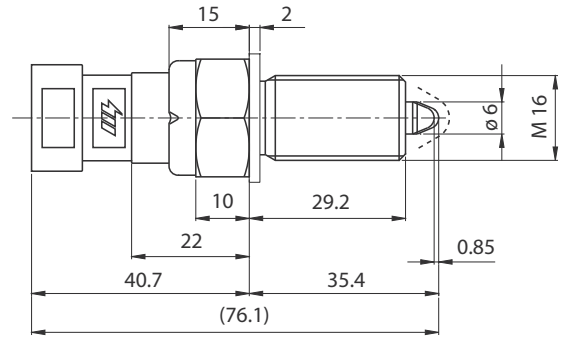


**00712100**

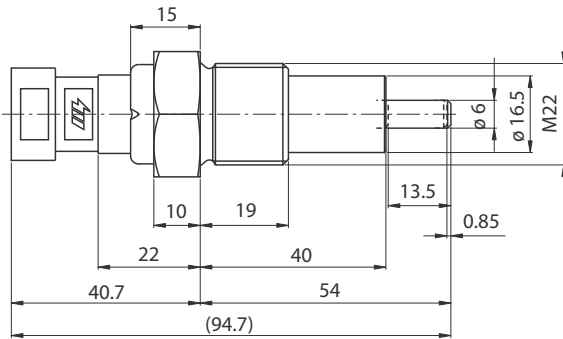
# 00711100 PLUNGER SWITCHESS



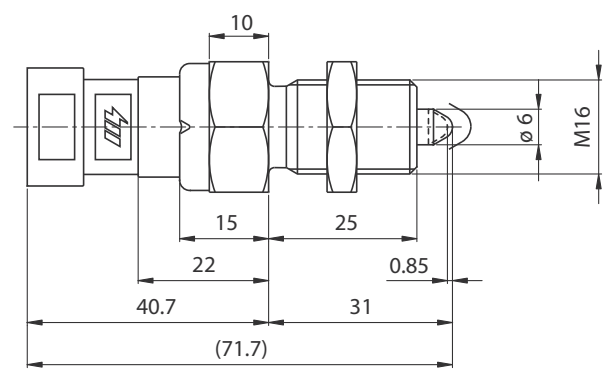
**00711100**



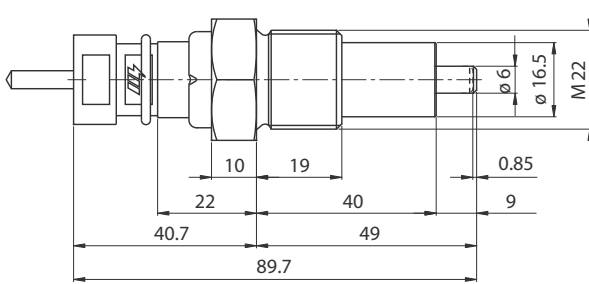
**00711200**



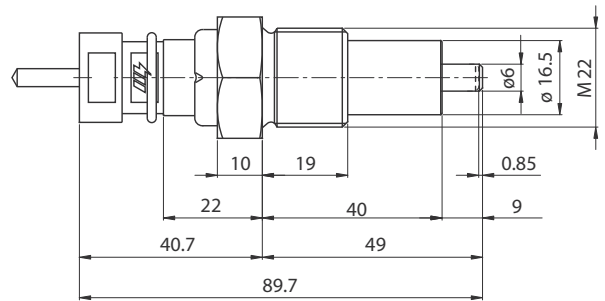
**00711400**



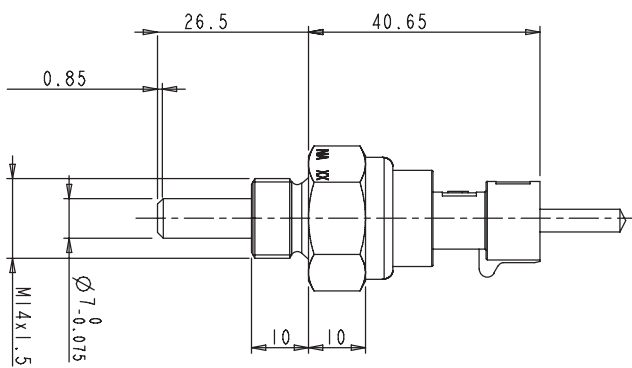
**00711700**



**00712000**



**00711900**



**00713000**