

Gas Discharge Tube: GQF Series



3-Electrode $\Phi 5.0$ x T7.2 mm Type

■ Features

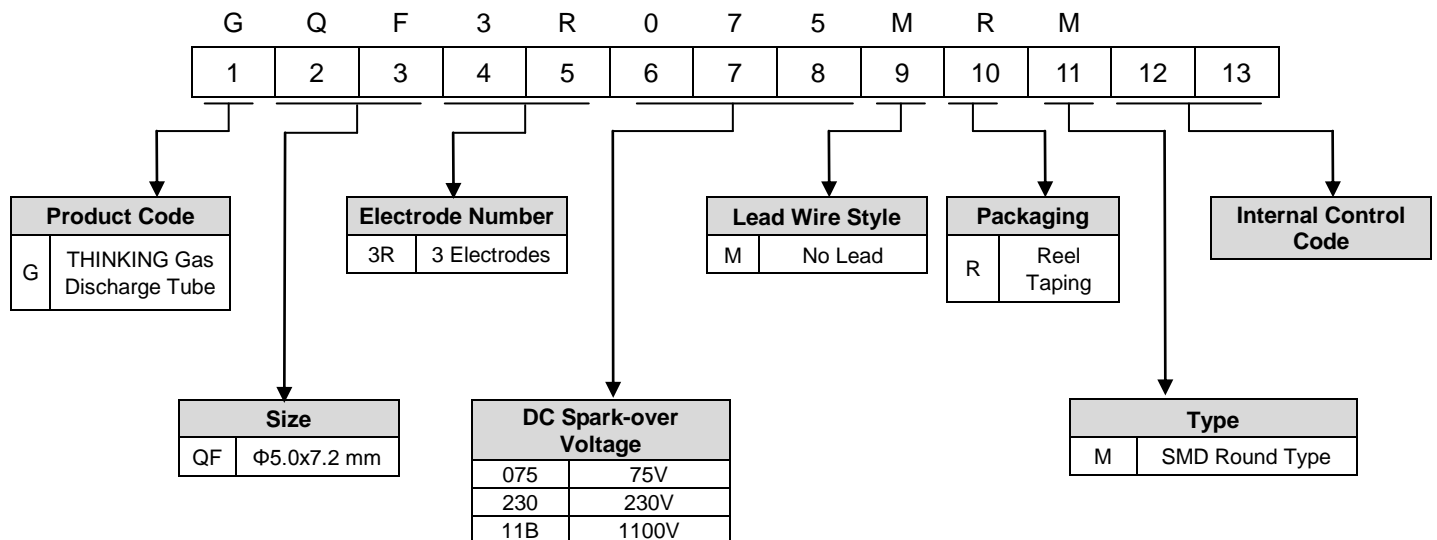
1. RoHS & HF compliant
2. Rugged ceramic-metal construction
3. DC spark-over voltage: 75~1100V
4. Low capacitance
5. Agency recognition: UL / cUL
6. Operating temperature: $-40^{\circ}\text{C} \sim +85^{\circ}\text{C}$
Storage temperature: $-40^{\circ}\text{C} \sim +115^{\circ}\text{C}$



■ Recommended Applications

1. Cable modem
2. xDSL
3. Set-top box
4. TV sets
5. Power supply
6. Consumer electronics

■ Part Number Code



Gas Discharge Tube: GQF Series



3-Electrode $\Phi 5.0$ x T7.2 mm Type

Characteristics

Part No.	DC Spark-over Voltage	Max. Impulse Breakdown Voltage		Max. Impulse Discharge Current (8/20 μ s)		Impulse Life (10/1000 μ s)	Normal Alternating Discharge Current	DC Holdover Voltage	Minimum Insulation Resistance	Maximum Capacitance (1MHz)	Safety Approvals			
	100V/S	100V/ μ s	1KV/ μ s	1 time	10 times	200A	50Hz, 1 Sec	<150ms			(G Ω)	(pF)	UL 1449 /cUL	UL 497B
	(V)	(V)	(V)	(KA)		(Times)	(A)	(V)					(V)	
GQF3R075MRM	75 \pm 20%	600	700	10	5	300	5	52	1	2		√		
GQF3R090MRM	90 \pm 20%	500	600					52			√			
GQF3R120MRM	120 \pm 20%	500	600					80			√			
GQF3R150MRM	150 \pm 20%	500	600					80			√			
GQF3R200MRM	200 \pm 20%	600	700	15	10		135	√						
GQF3R230MRM	230 \pm 20%	600	700				135	√						
GQF3R250MRM	250 \pm 20%	600	700				135	√						
GQF3R350MRM	350 \pm 20%	650	750				135	√						
GQF3R400MRM	400 \pm 20%	700	800				135	√						
GQF3R420MRM	420 \pm 20%	700	800				135	√						
GQF3R470MRM	470 \pm 20%	800	900				135	√						
GQF3R600MRM	600 \pm 20%	900	1000				135	√						
GQF3R800MRM	800 \pm 20%	1150	1400	10	5		135	√						
GQF3R10BMRM	1000 \pm 20%	1400	1700				135	√						
GQF3R11BMRM	1100 \pm 20%	1450	1750			135	√							

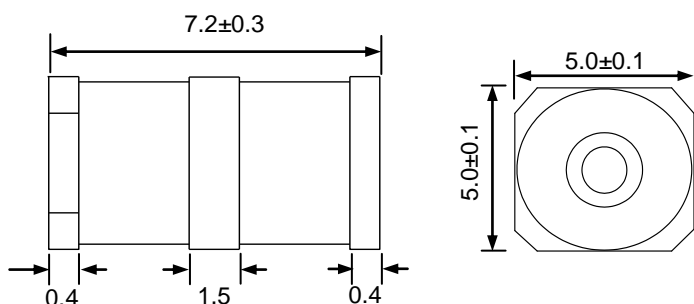
Note1: UL 497B File No: E245070, UL 1449 4th File No: E314979

Note 2: Insulation resistance test conditions:

DC Spark-over Voltage	DC Measuring Voltage
70-150V	50V
151-400V	100V
401-1000V	250V
1001-1100V	500V

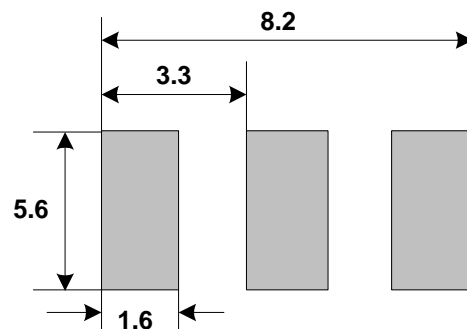
Dimension

(Unit: mm)



Recommended Pad Size

(Unit: mm)

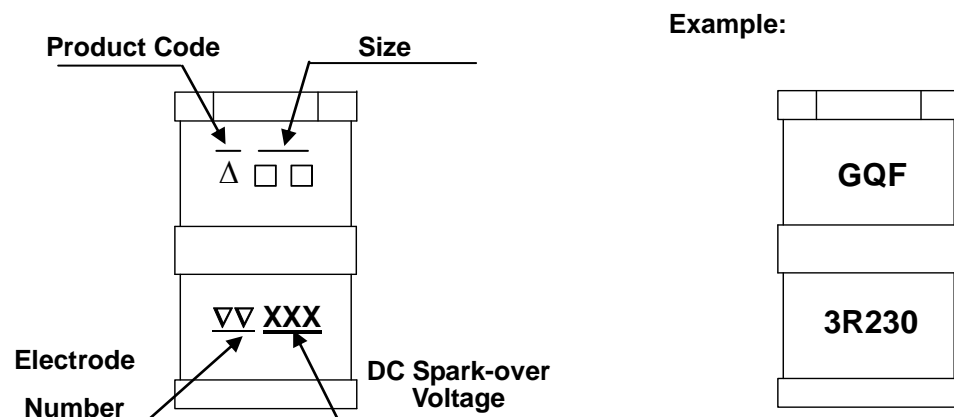


Gas Discharge Tube: GQF Series



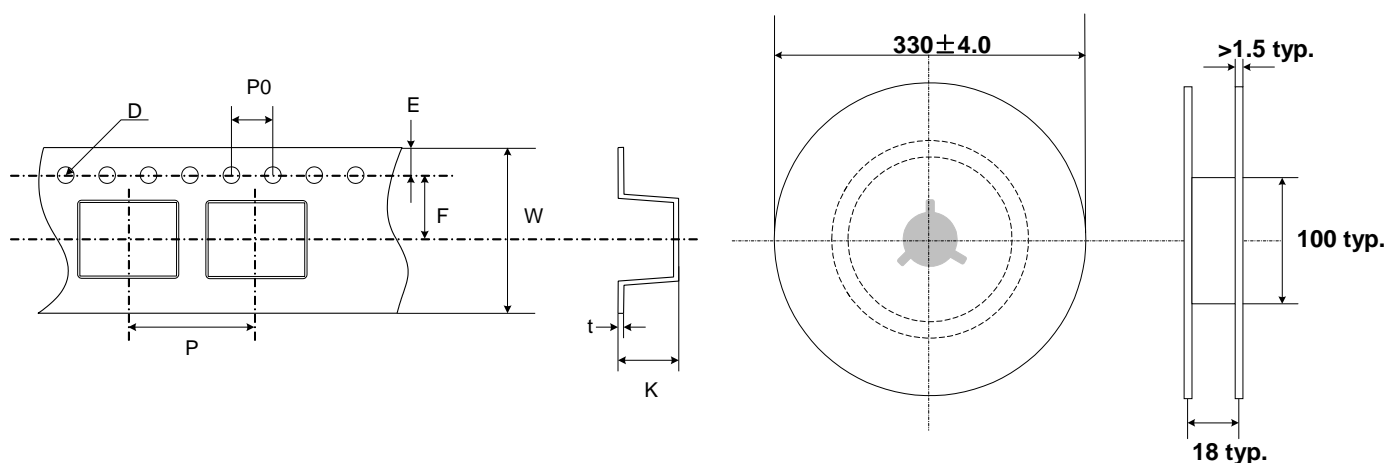
3-Electrode $\Phi 5.0$ x T7.2 mm Type

■ Marking



■ Packaging

● Taping



Quantity: 900pcs per reel (13")

(Unit: mm)

ITEM	P	P0	W	F	E	D	K	t
Spec.	12.0	4.0	16.0	7.5	1.75	$\Phi 1.55$	5.5	0.5
Tolerance	± 0.1	± 0.1	± 0.3	± 0.1	± 0.1	± 0.05	± 0.1	± 0.05

■ Warehouse Storage Conditions of Products

● Storage Conditions:

1. Storage Temperature: $-10^{\circ}\text{C} \sim +40^{\circ}\text{C}$
2. Relative Humidity: $\leq 75\% \text{RH}$
3. Keep away from corrosive atmosphere and sunlight.

● Period of Storage: 1 year