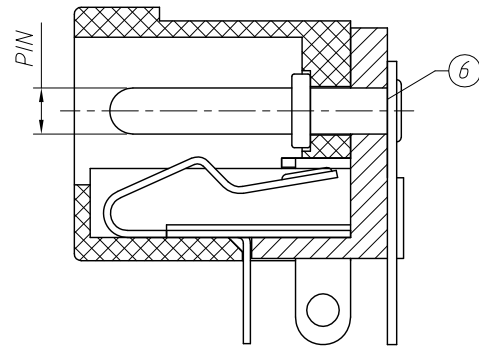
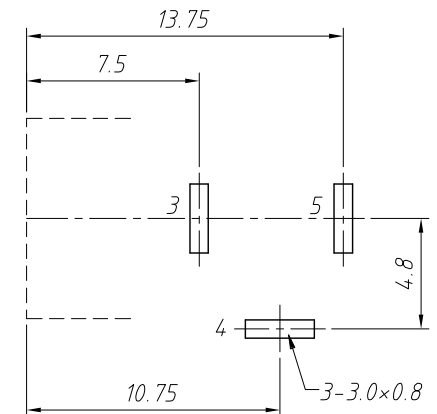
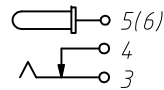


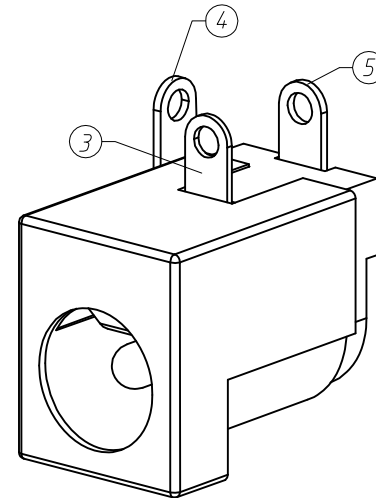
PCB LAYOUT TOP VIEW



SCHEMATIC



PIN	φ2.0	φ2.5
APPD		



SPECIFICATION

Rated Load: DC 30V 0.5A
 Contact resistance: 30mΩ, max
 Insulation resistance: 100MΩ, min
 Withstand Voltage: AC500V
 Actuating Force: 3~20N
 Life: 5000 cycles
 Operating Temperature: -30°C ~ 70°C

NO.	Description	QTY	Material	Plating
1	Housing	1	PBT	---
2	Cover	1	PBT	---
3	Spring Piece	1	Bronze	Sn-Plating
4	Curve Piece	1	Brass	Sn-Plating
5	Flat Foot	1	Brass	Sn-Plating
6	PIN	1	Brass	Ni-Plating

GENERAL TOLERANCE	PROJECTION		Description:
X. ±0.50	UNITS	mm	DC Power Jack connectors
.X ±0.25	SCALE	1:1	
.XX ±0.10	Draw by:	Jenny	
ANGLE TOLERANCE	Check by:		KLS P/N: L-KLS1-DC-005A-2.0-2A
X. ±5°	Date	2018-03-01	NingBo KLS ELECTRONIC CO.,L TD.
.X ±3°	SHEET	1 OF 1	
.XX ±2°			