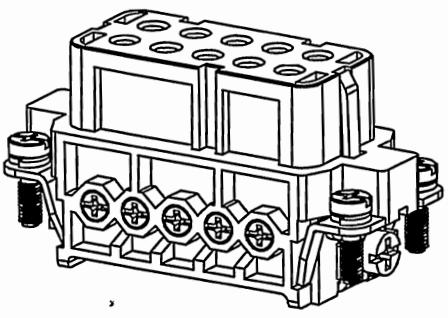
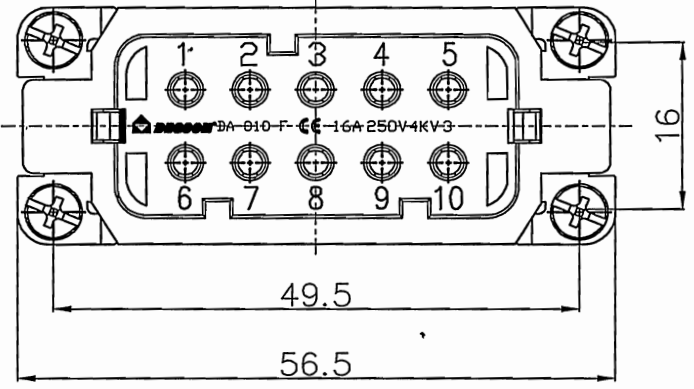
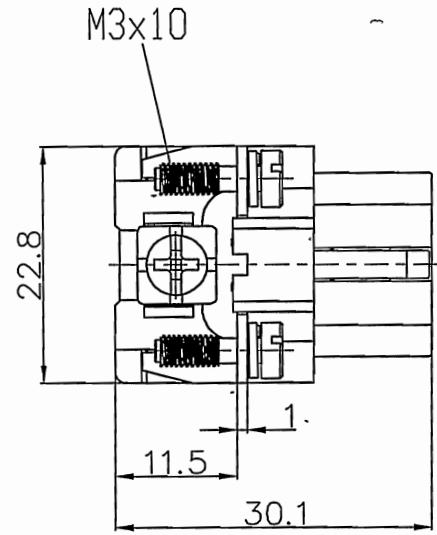


REVISION RECORD				
REV	ECN	DESCRIPTION	DRFT	DATE



Technical characteristics:

Specifications  
 DIN EN 60 664-1  
 DIN EN 61 984

Inserts

01. Number of contacts :10+PE
02. Rated Current :16A
03. Rated Voltage :250V
04. Pollution degree :3
05. Rated impulse voltage :4kv
06. Insulation resistance : $\geq 10^{10} \Omega$
07. Material:Polycarbonate
08. Colour:RAL 7032 (Light grey)
09. Rated voltage acc. to UL/CSA:600V
10. Limiting temperatures : $-40^{\circ}\text{C} \sim +125^{\circ}\text{C}$
11. Flammability acc. to UL94:V0
12. Mechanical working life (mating cycles) : $\geq 500$

Contacts

01. Material:Copper alloy
02. Surface:hard-silver plated
03. Contact resistance : $\leq 1\text{m}\Omega$
04. Terminal :Screw terminal
05. Wire gauge :1.0-2.5mm<sup>2</sup> (AWG 18-14)
06. Tightening torque :0.5Nm
07. Stripping length :7.5mm
08. Rohs Compliance

DETACHED LISTS	PART NO.: DA010F	宁波高松电子有限公司 NINGBO DEGSON ELECTRICAL CO., LTD		
	APPD: HYS 2016.8.26	NAME: DA-010-F		
	CHKD: Jm 2016.8.25	TITLE: CUSTOMER DRAWING		
	DRFT: Mr.yang 2016.07.25	DRAWING NO.: DA-010-F-E01		REV: DO-1
THIRD ANGLE PROJECTION		DRAWING NO.: DA-010-F-E01 SHEET 1/1	DO NOT SCALE DRAWING SCALE 1.5:1	