

Technical characteristics:

Specifications

DIN EN 60 664-1
DIN EN 61 984

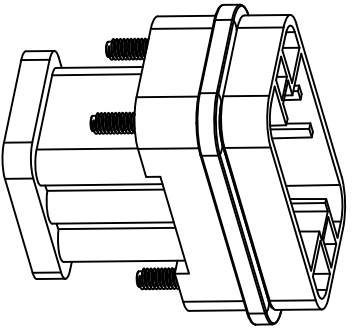
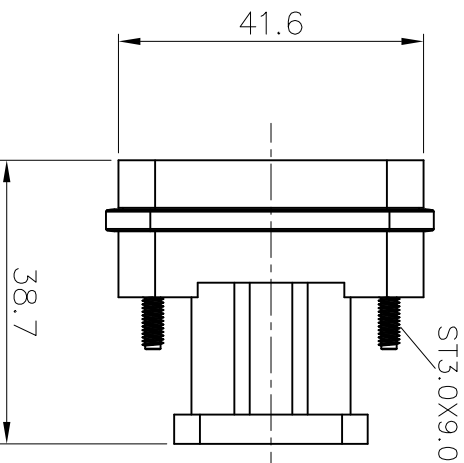
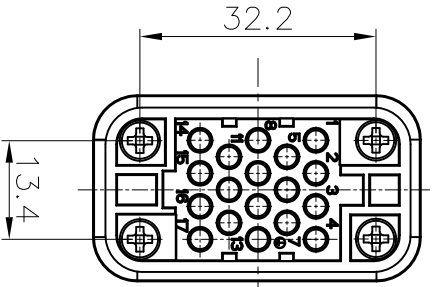
Inserts

- 01. Number of contacts : 17+PE
- 02. Rated Current : 10A
- 03. Rated Voltage : 250V
- 04. Pollution degree : 3
- 05. Rated impulse voltage : 4kV¹⁰
- 06. Insulation resistance : $\geq 10^9 \Omega$
- 07. Material: Polycarbonate
- 08. Colour:RAL7032
- 09. Rated voltage acc. to UL/CSA: 250V
- 10. Limiting temperatures : -40°C~+125°C
- 11. Flammability acc. to UL94: V0
- 12. Mechanical working life (mating cycles) : ≥ 500

Contacts

- 01. Material: Copper alloy
- 02. Surface: hard-silver plated
hard-Gold plated
- 03. Contact resistance : $\leq 3m\Omega$
- 04. Terminal : Crimp terminal
- 05. Wire gauge : 0.14-2.5mm² (AWG 26-14)
- 06. Stripping length : 7.5mm
- 07. Rohs Compliance

Note: Crimp contact pins should order separately



MATERIAL: / SURFACE: /

MAT NO.:

STATUS: /

APPD: Zhou X 2021.01.04

CHKD: Yang SH 2021.01.04

DRAFT: Chen HK 2021.01.04

DEGSON® 宁波高松电子有限公司
NINGBO DEGSON ELECTRICAL CO., LTD

NAME: DQ-017-MC

DRAWING NO.:

TYPE: CUSTOMER DRAWING

SCALE: 1:1 SHEET 1/1

REV ECN

DESCRIPTION

DRAFT DATE



SIZE: A4

1mm
1/16 inch

REV

DO

1/1