

REVISION RECORD			
REV	ECN	DESCRIPTION	DATE

Technical characteristics:

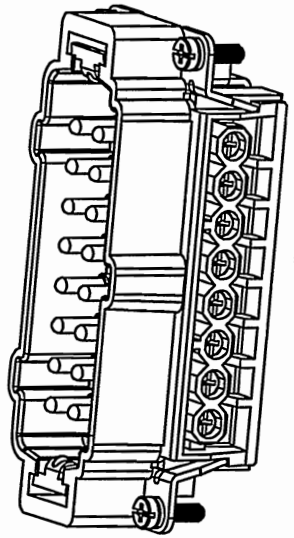
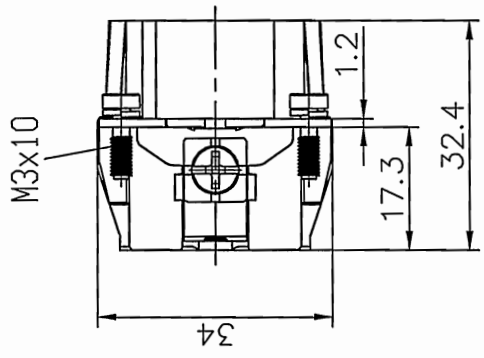
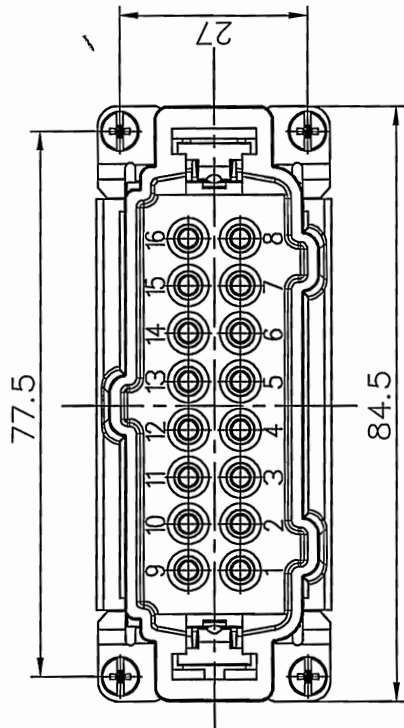
Specifications
 DIN EN 60 664-1
 DIN EN 61 984

Inserts

- 01. Number of contacts : 16+PE
- 02. Rated Current : 16A
- 03. Rated Voltage : 500V
- 04. Pollution degree : 3
- 05. Rated impulse voltage : 6kv¹⁰
- 06. Insulation resistance : $\geq 10\Omega$
- 07. Material: Polycarbonate
- 08. Rated voltage acc. to UL/CSA: 600V
- 09. Limiting temperatures : -40°C ~ +125°C
- 10. Flammability acc. to UL94: V0
- 11. Mechanical working life (mating cycles) : ≥ 500

Contacts

- 01. Material: Copper alloy
- 02. Surface: hard-silver plated
- 03. Contact resistance : $\leq 1m\Omega$
- 04. Terminal : Screw terminal
- 05. Wire gauge : 1.0-2.5mm² (AWG 18-14)
- 06. Tightening torque : 0.5Nm
- 07. Stripping length : 7.5mm
- 08. Rohs Compliance



PART NO.: /		DEGSON® 宁波高松电子有限公司	
APPD: HYS 2016.9.6	NAME: NINGBO DEGSON ELECTRICAL CO., LTD		
CHKD: LJM 2016.9.15	DE-016-M		
DRFT: Mr. Yang 2016.08.08	TITLE: CUSTOMER DRAWING		
THIRD ANGLE PROJECTION	DRAWING NO.:	REV	DO
	MM (INCH)	/	1/1
	DO NOT SCALE	DRAWING	SCALE
	2	1	1:1

DETACHED LISTS