

Technical characteristics:

Specifications  
DIN EN 60 664-1  
DIN EN 61 984

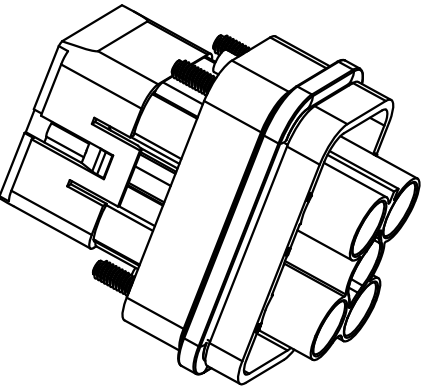
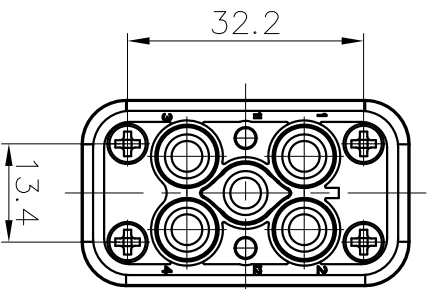
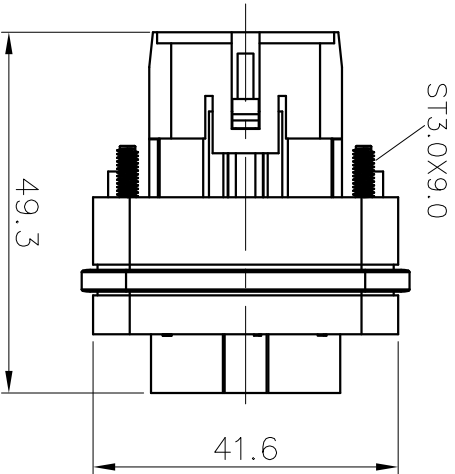
Inserts

- 01. Number of contacts : 4/2+PE
- 02. Rated Current : 40A/10A
- 03. Rated Voltage : 400V/690V/250V
- 04. Pollution degree : 3
- 05. Rated impulse voltage : 6kV/4kV
- 06. Insulation resistance :  $\geq 10^{10} \Omega$
- 07. Material: Polycarbonate
- 08. Colour: RAL7032
- 09. Rated voltage acc. to UL/CSA: 600V/250V
- 10. Limiting temperatures : -40°C~+125°C
- 11. Flammability acc. to UL94: V0
- 12. Mechanical working life (mating cycles) :  $\geq 500$

Contacts

- 01. Material: Copper alloy
- 02. Surface: hard-silver plated hard-Gold plated
- 03. Contact resistance :  $\leq 1m\Omega$
- 04. Terminal : Crimp terminal
- 05. Wire gauge : 1.5-6mm<sup>2</sup> (AWG16-10)  
0.14-2.5mm<sup>2</sup> (AWG 26-14)
- 06. Stripping length : 9mm/7.5mm
- 07. Rohs Compliance

Note: Crimp contact pins should order separately



MATERIAL: / SURFACE: /

MAT NO: /

STATUS: /

APPD: Zhou X 2021.01.04

CHKD: Yang SH 2021.01.04

DRAFT: Chen HK 2021.01.04

NINGBO DEGSON ELECTRICAL CO., LTD

DQ-4/2-MC

REV	ECN	DESCRIPTION	DRAFT	DATE	SIZE: A4	TYPE: CUSTOMER DRAWING	SCALE: 1:1	REV	SHEET
					mm inch			D0	1/1