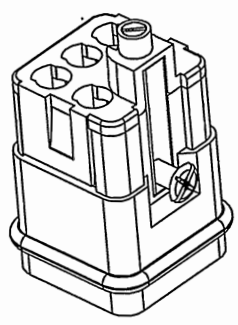
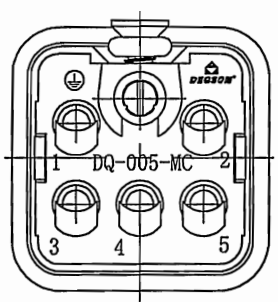
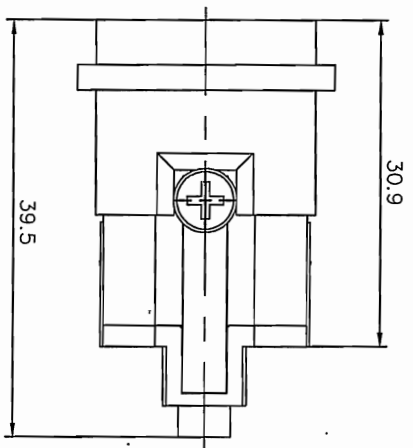
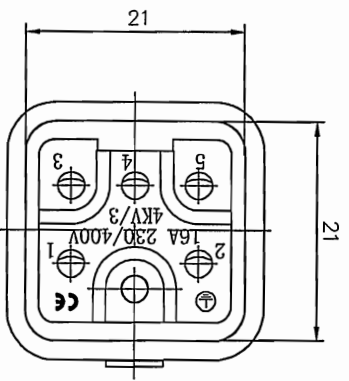


REVISION RECORD			
REV	ECN	DESCRIPTION	DATE

Technical characteristics:
Specifications
 DIN EN 60 664-1
 DIN EN 61 984

- Inserts**
- 01. Number of contacts : 5+PE
 - 02. Rated Current : 16A
 - 03. Rated Voltage conductor-ground: 230V
 - 04. Rated Voltage conductor-conductor: 400V
 - 05. Pollution degree : 3
 - 06. Rated impulse voltage : 4kV¹⁰
 - 07. Insulation resistance : $\geq 10^9 \Omega$
 - 08. Material: Polycarbonate
 - 09. Rated voltage acc. to UL/CSA: 600V
 - 10. Limiting temperatures : -40°C ~ +125°C
 - 11. Flammability acc. to UL94: V0
 - 12. Mechanical working life (mating cycles) : ≥ 500

- Contacts**
- 01. Material: Copper alloy
 - 02. Surface: hard-Silver plated hard-Gold plated
 - 03. Contact resistance : $\leq 1m\Omega$
 - 04. Terminal : Crimp terminal
 - 05. Wire gauge : 0.14-2.5mm² (AWG 26-14)
 - 06. Stripping length : 7.5mm
 - 07. Rohs Compliance
- Note: Crimp contact pins should order separately



DETACHED LISTS			
PART NO.: /	NAME: DEGSON 宁波高热电子有限公司 NINGBO DEGSON ELECTRICAL CO.,LTD	REV	DO-1
APPR: HYS 2016.10.20	TITLE: CUSTOMER DRAWING	SHEET	1/1
CHKD: JYM 2016.10.18	DRAWING NO.: DQ-005-MC	SCALE	1.5:1
DFT: MY 2016.09.25	DO NOT SCALE DRAWING		
THIRD ANGLE PROJECTION			