

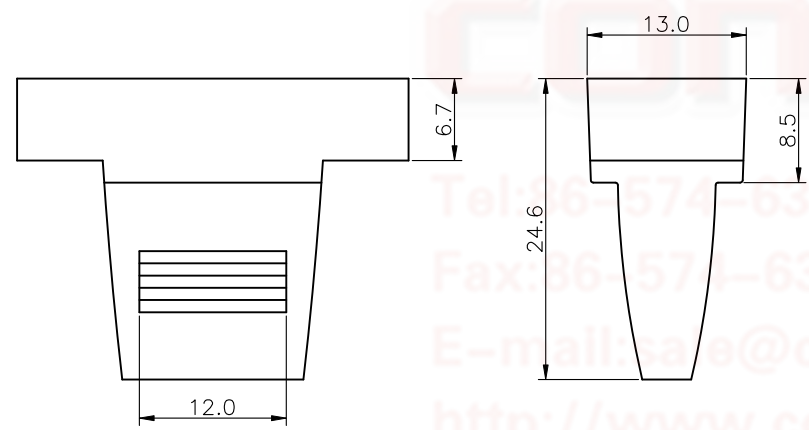
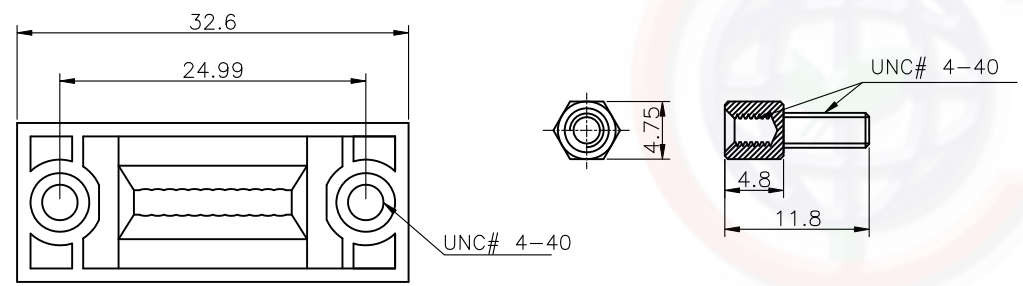
REV.	DESCRIPTION	DRAWN	CHECKED	APPROVED
A	NEW RELEASE	JLZ 09/28/16'	~	

NOTES:

1. PART NUMBER CODE:

DS1045-22 - X X X X

- Packing type
- 1: Mix packing
- Q: Full packing
- Cover Material
- P: Plastic(ABS)
- Cover Color
- B: Black
- Position
- 09: 9pin



CONNFLY®

Tel: 36-574-63508787
 Fax: 36-574-63510817
 E-mail: sae@connfly.com
 http://www.connfly.com
 Add: East Industry Zone KuangYan
 Town Cixi Ningbo China
 P.C: 315333

GENERAL TOLERANCE		ANGLE TOLERANCE		PROJECTION		TITLE	D-SUB Plastic Hood 180°	
X.	±0.60	X.	±5°	UNITS	mm		9 Positions	
.X	±0.38	.X	±3°	SHEET SIZE	A4	SERIES	DS1045-22	SERIES
.XX	±0.25	.XX	±2°	晨翔电子有限公司 CONNFLY® CONNFLY ELECTRONIC CO., LTD				
DRAWING TYPE		COSTOMER						
SCALE	1:1	SHEET	1 OF 1					
DRAWING NO.		C-DS1045-22-XXXX-A						

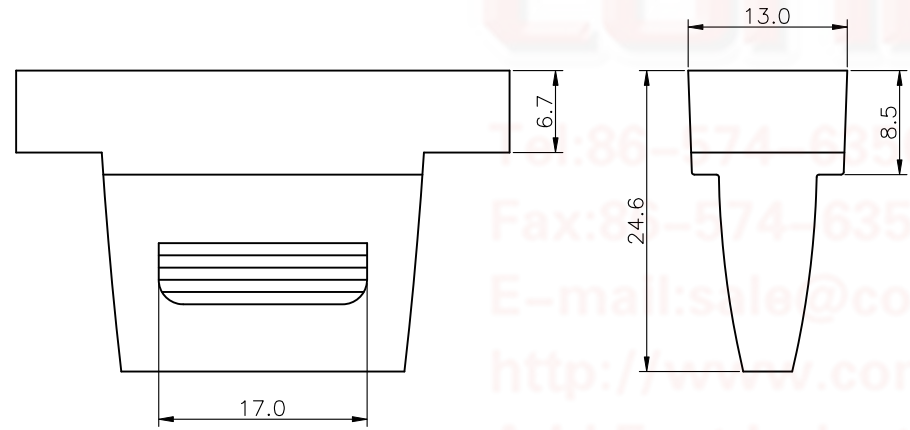
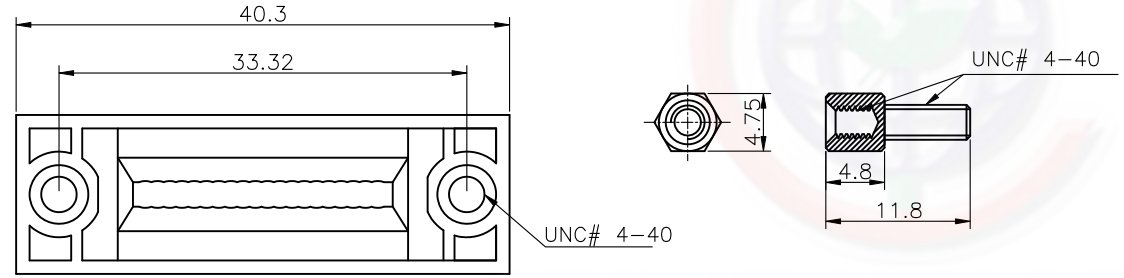
REV.	DESCRIPTION	DRAWN	CHECKED	APPROVED
A	NEW RELEASE	JLZ 09/28/16'	~	

NOTES:

1. PART NUMBER CODE:

DS1045-22 - X X X X

- Packing type
- 1: Mix packing
- Q: Full packing
- Cover Material
- P: Plastic(ABS)
- Cover Color
- B: Black
- Position
- 15: 15pin



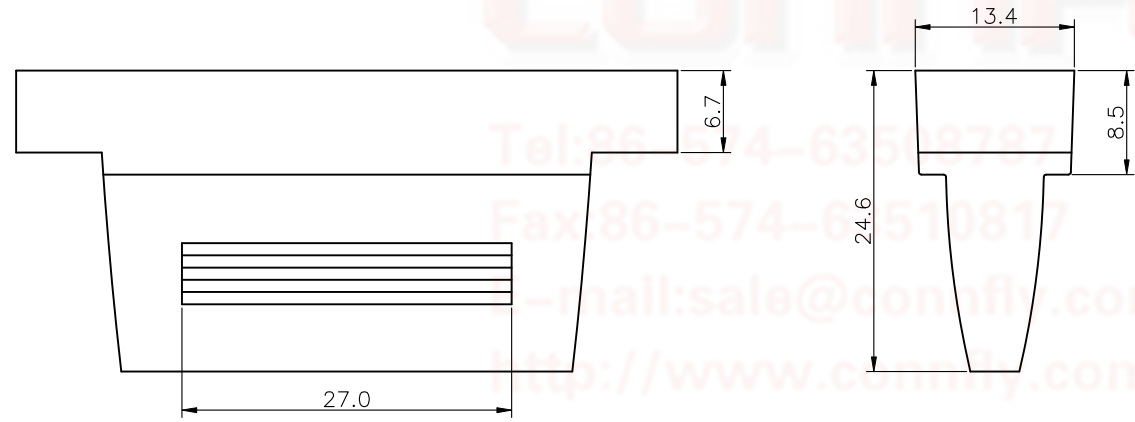
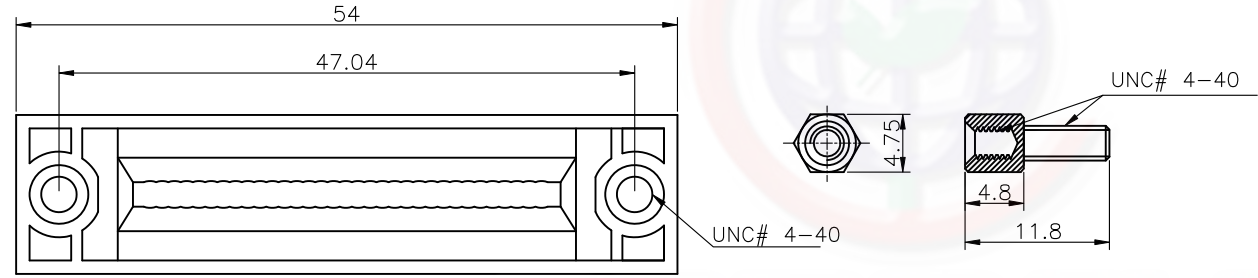
CONNFLY®
 Tel: 86-574-63508787
 Fax: 86-574-63510817
 E-mail: sales@connfly.com
 http://www.connfly.com
 Add: East Industry Zone KuangYan
 Town Cixi Ningbo China
 P.C: 315335

GENERAL TOLERANCE		ANGLE TOLERANCE		PROJECTION		TITLE	D-SUB Plastic Hood 180°	
X.	±0.60	X.	±5°	UNITS	mm	15 Positions		
.X	±0.38	.X	±3°	SHEET SIZE	A4	SERIES	DS1045-22 SERIES	
.XX	±0.25	.XX	±2°	晨翔电子有限公司 CONNFLY® CONNFLY ELECTRONIC CO., LTD				
DRAWING TYPE		COSTOMER						
SCALE	1:1	SHEET	1 OF 1					
DRAWING NO.		C-DS1045-22-XXXX-A						

REV.	DESCRIPTION	DRAWN	CHECKED	APPROVED
A	NEW RELEASE	JLZ 09/28/16'	~	

NOTES:
 1. PART NUMBER CODE:
 DS1045-22 - X X X X

Packing type
 1: Mix packing
 Q: Full packing
 Cover Material
 P: Plastic(ABS)
 Cover Color
 B: Black
 Position
 25: 25pin



Tel: 86-574-6358787
 Fax: 86-574-6510817
 E-mail: sale@connfly.com
 http://www.connfly.com
 Add: East Industry Zone KuangYan
 Town Cixi Ningbo China
 P.C: 315335

GENERAL TOLERANCE		ANGLE TOLERANCE	
X.	±0.60	X.	±5°
.X	±0.38	.X	±3°
.XX	±0.25	.XX	±2°

PROJECTION		TITLE	D-SUB Plastic Hood 180° 25 Positions
UNITS	mm	SHEET SIZE	A4
SHEET SIZE	A4	SERIES	DS1045-22 SERIES

DRAWING TYPE	COSTOMER		
SCALE	1:1	SHEET	1 OF 1
DRAWING NO.	C-DS1045-22-XXXX-A		

晨翔电子有限公司
CONNFLY® CONNFLY ELECTRONIC CO., LTD