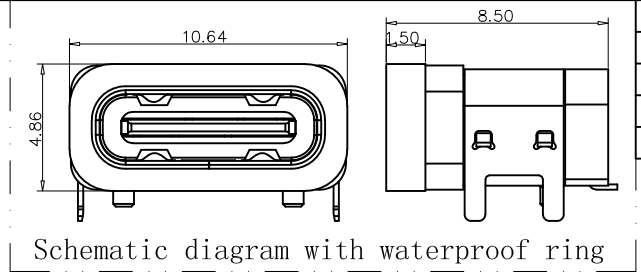
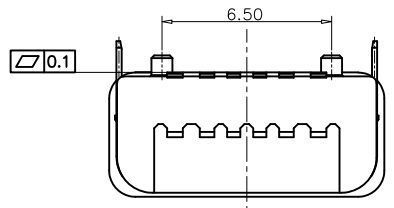


The information provided herein is from CONNPLY Electronic Co., Ltd. and is confidential. Any disclosure to a party other than the recipient is prohibited. The intellectual properties and its rights contained herein, including but not limited to, trademarks, patents, copyrights, trade secrets, and technical know-how, are owned exclusively by CONNPLY or its affiliates. Unauthorized use or reproduction of this information without the written consent of CONNPLY may enforce its intellectual property rights at its own discretion; failures or delays to exercise such rights does not constitute a waiver of such rights.

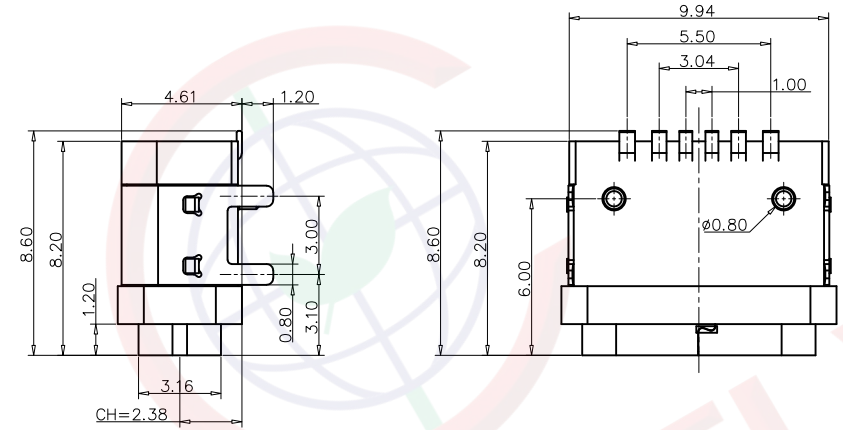
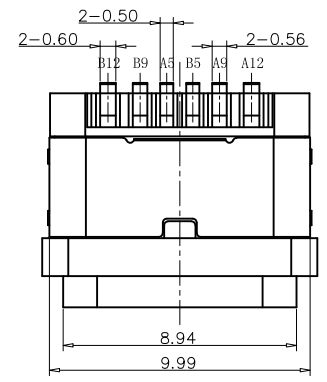
Dept	Qty	REV.		DESCRIPTION	DRAWN	CHECKED	APPROVED
DC	1	A		NEW RELEASE	JLZ 01/18/21'		
ED	1						
IE	1						
ISO	1						
PD	1						
R&D	1						
SD	1						
QA	1						
QC	1						
QE	1						



Schematic diagram with waterproof ring

PIN ASSIGNMENT:

PIN NO	A1&B12	A4&B9	A5	A5	A9&B4	A12&B1
SIGNAL NAME	GND	VBUS	CC1	CC2	VBUS	GND
PCB PAD NO.	C1	C2	C3	C4	C5	C6

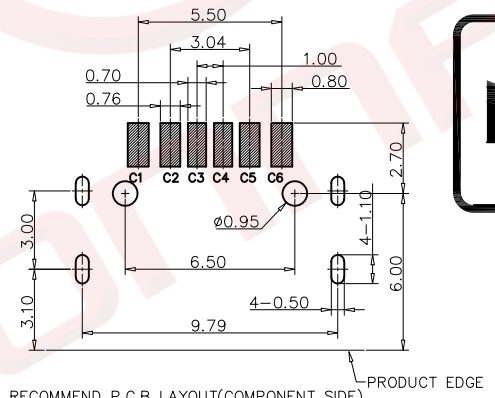
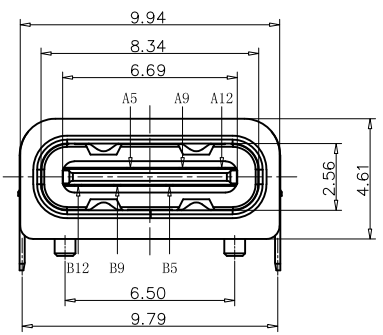


NOTES:

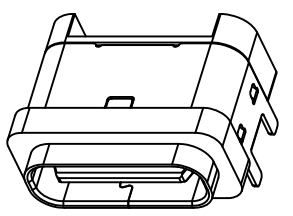
- SPECIFICATION:
- CURRENT RATING: 3.0A MAX
 - VOLTAGE: 100 VAC
 - TEMPERATURE RANGE: -30°C~+85°C
 - CONTACT RESISTANCE: 40 MILLIONHM MAX
 - INSULATION RESISTANCE: 100 MEGOHMS MIN
 - INSERTION FORCE: 5N~20N
 - UNMATING FORCE: 8N~20N
 - DURABILITY: 10000 CYCLES
 - WATER PROOFNESS: THIS PRODUCT IS BASED ON IPX7.
 - Product number code:

DS1144-56 - X X X X X X X

- No. of contacts: 6: 6pin
- Connector type: F: Female
- Mounting type: S: SMT type
- Packing Type: R: Tape On Reel
- Shell Plating: N: Full Nickel
- Housing color: B: Black
- Contact Plating: 4: Selective 3u" gold, 0: Selective gold flash



RECOMMEND P.C.B LAYOUT (COMPONENT SIDE)
TOLERANCE FOR PCB LAYOUT IS ±0.05



(Series Image-Reference Only)

TABLE:

NO	PART	Q'TY	Material
1	SHELL	1	STAINLESS STEEL, NI PLATED
2	CONTACT	6	COPPER STEEL, TIN/AU/NI PLATED
3	MID PLATE	1	STAINLESS STEEL, NO PLATING
4	1MD HOUSING	1	HIGH TEMPERATURE RESISTANT PLASTIC BLACK UL94 V-0
5	2MD HOUSING	1	HIGH TEMPERATURE RESISTANT PLASTIC BLACK UL94 V-0
6	SHIELDING PLATE	1	STAINLESS STEEL, NI PLATED

GENERAL TOLERANCE		ANGLE TOLERANCE	
X.	±0.60	X.	±5°
.X	±0.38	.X	±3°
.XX	±0.25	.XX	±2°

PROJECTION		TITLE	USB C Type 6P Female SMT Type L=8.2mm
UNITS	mm		Centre-H=2.38mm Waterproof Grade IP-X7
SHEET SIZE	A4	SERIES	DS1144-56 SERIES

DRAWING TYPE	CUSTOMER
SCALE	1:1 SHEET 1 OF 1
DRAWING NO.	C-DS1144-56-XXXXXX-A

晨翔电子有限公司

CONNPLY CONNPLY ELECTRONIC CO. LTD