

MS1005SK

Quasi-Resonant Power Supply IC

Feature

- Quasi-resonant mode
- Four-step soft-start function
- HV startup circuit
- The automatic bottom-skip function (1time)
- Auto-burst mode
- Ultra-standby mode
- Soft drive circuit reduces noise
- Vcc-GND short circuit protection function
- Overload protection (timer latch 2sec.)
- Overvoltage protection (latch)
- Thermal shutdown (latch)
- Pb free
- RoHS:Yes

Outline

House Name: SOP14



1 Absolute Maximum Ratings (at Tc=25°C)**1 絶対最大定格(at Tc=25°C)****1-1 Thermal Ratings****1-1 熱規格**

Item 項目	Symbol 記号	Ratings 規格値	Unit 単位
Storage temperature 保存温度	Tstg	-55~150	°C
Junction temperature 接合部温度	Tj	-20~150	°C
Total power dissipation 許容損失	Pt	0.8	W

1-2 Electrical Ratings**1-2 電気的規格**

Item 項目	Symbol 記号	Ratings 規格値	Unit 単位
Vin maximum applied voltage Vin端子最大印加電圧	Vin	500	V
Vin reverse bias voltage Vin端子逆バイアス電圧	-----	-0.3	V
VCC maximum applied voltage VCC端子最大印加電圧	VCC	30	V
VCC reverse bias voltage VCC端子逆バイアス電圧	-----	-0.3	V
UT into maximum current Z/C端子最大流入電流	IUT	±5	mA
UT into maximum current Z/C端子最大流入電流	IZ/C	±5	mA
F/B into maximum current F/B端子最大流入電流	IF/B	±5	mA
OCL into maximum current OCL端子最大流入電流	IOCL	±5	mA

Notes : Using with parameters, condition of use and logic controls that are not specified in the specifications are not assured.

When used with the conditions that are not specified, please consult us in advance.

The contents described herein are subject to change without notice.

注意 : 本仕様書に記載されていない項目、使用条件、論理の組み合わせでの使用は保証していません。

記載されている以外の条件で使用する場合は必ず事前に当社担当営業部門までご相談下さい。

記載内容は改良などのためにお断り無しに変更することがあります。

2 Recommended Operation Conditions

2 推奨動作条件

Item 項目	Symbol 記号	Recommended value 推奨値			Unit 単位
		min	typ	max	
Operating temperature 動作温度	Top	-20	---	125	°C
Vin applied voltage Vin端子印加電圧	Vin	95	---	450	V
VCC applied voltage VCC端子印加電圧	VCC	11	---	24	V
Z/C into current Z/C端子入力電流	I _{Z/C}	-4.5	---	4.5	mA

Notes : The product life depends on the condition of use even within the above operating conditions.
Using at T_j = 100°C or less is recommended for the equipment where a long life is expected.

注意 : 上記の規格範囲内においても、製品寿命に関しましてはお客様の使用環境により異なりますので、長寿命を期待される製品に、ご使用される場合には T_j=100°C以下でご使用頂く事を推奨致します。

3-1 Electrical/Thermal Characteristics (at Ta=25°C)

3-1 電氣的・熱的特性 (at Ta=25°C)

Item 項目	Symbol 記号	Condition 条件	Ratings 規格値			Unit 単位
			min	typ	max	

VCC端子 (VCC Terminal)

On-State voltage 発振開始電圧	VCC(start)	VOCL=0V VF/B=2.5V	10.8	12.0	13.2	V
Under-Voltage lockout 発振停止電圧	VCC(stop stby)	VOCL=0V VF/B=2.5V	6.3	7.0	7.7	V
	VCC(stop normal)	VOCL=0.4V VF/B=2.5V	7.2	8.0	8.8	V
Latch circuit reset voltage フリップ解除電圧	VJUL	VOCL=0V VF/B=2.5V	2.5	3.2	4.5	V
Start-Up circuit cut off voltage 起動回路OFF電圧	VCC(stup off)	VOCL=0V VF/B=12kΩ Vin=100V	10.8	12.0	13.2	V
Start-Up circuit on voltage 起動回路ON電圧	VCC(stup on stby)	VOCL=0V VF/B=12kΩ Vin=100V	7.2	8.0	8.8	V
	VCC(stup on normal)	VOCL=0.4V VF/B=12kΩ Vin=100V	8.1	9.0	9.9	V
Over-Voltage threshold 過電圧フリップ電圧	VOVP	VOCL=0V VF/B=2.5V	24.7	26.0	27.3	V
VCC current (Active mode) VCC電流(動作時)	ICC(active)	VCC=14V VOCL=0.1V VF/B=2.5V fZ/C=50kHz	1.0	1.9	3.0	mA
VCC current (Auto standby mode) VCC電流(自動スタンバイモード発振停止時)	ICC(auto stby)	VCC=14V VOCL=0V VF/B=0V	0.7	1.3	2.0	mA
VCC current (UT mode) VCC電流(UTスタンバイモード時)	ICC(UT stby)	VCC=14V VUT ≤ 4.5V	---	---	10.0	μA
VCC current (Start-Up mode) VCC電流(起動モード時)	ICC(stup)1	Vin=100V VCC=0 to 1.5V	---	-1.0	---	mA
	ICC(stup)2	Vin=100V VCC=1.5V to VCC(stup off)-0.8V	-13.0	-8.0	-3.0	mA

3-2 Electrical/Thermal Characteristics (at Ta=25°C)

3-2 電氣的・熱的特性 (at Ta=25°C)

Item 項目	Symbol 記号	Condition 条件	Ratings 規格値			Unit 単位
			min	typ	max	

Z/C端子 (Z/C Terminal)

Zero current detection voltage ゼロ検出電圧	VZ/C	VCC=14V VOCL=0.1V VF/B=2.5V	0.15	0.25	0.35	V
Clamping voltage (High) クランプ電圧(High)	VCL(H)	IZ/C=1mA	5.8	6.2	6.6	V
Clamping voltage (Low) クランプ電圧(Low)	VCL(L)	IZ/C=-1mA	-1.0	-0.7	-0.5	V

F/B端子 (F/B Terminal)

F/B Output current F/B定電流源	IF/B(nomal)	VOCL=0.1V VCC=14V VF/B=0V	-235	-205	-175	μ A
F/B Minmum on time F/Bオン幅min	TonF/B(min)	VCC=14V VOCL=0.1V fZ/C=20kHz	0	0.7	1.4	μ s
F/B Maximum on time F/Bオン幅max	TonF/B(max)	VCC=14V VOCL=0.1V fZ/C=20kHz	25	31	37	μ s

電流検出 (Current Detection)

Over current limit correction start voltage 垂下入力補正スタート電圧	VTH(OCL start)	VCC=14V VF/B=3.0V fZ/C=20kHz	0.342	0.380	0.418	V
Over current limit correction clamp voltage 垂下入力補正クランプ電圧	VTH(OCL)clamp	VCC=14V VF/B=3.0V fZ/C=20kHz	0.486	0.540	0.594	V
Over current limit correction time width 垂下入力補正幅	TOCL	VCC=14V VF/B=3.0V fZ/C=20kHz VOCL=VTH(OCL start) ⇒ VTH(OCL)clamp	6.2	7.3	8.4	us
Leading edge blanking time リーディングエッジブランクタイム	TLEB	VCC=14V VF/B=2.5V VOCL=0.4V	---	300	---	ns

3-3 Electrical/Thermal Characteristics (at Ta=25°C)

3-3 電氣的・熱的特性 (at Ta=25°C)

Item 項目	Symbol 記号	Condition 条件	Ratings 規格値			Unit 単位
			min	typ	max	

自動スタンバイ(Auto standby mode)

Standby switch time スタンバイ切替時間	Tstby	VCC=14V VF/B=2.5V VOCL=0V fZ/C=25kHz	180	230	280	ms
On-State voltage 発振開始電圧	VF/B(stby start)	VCC=14V VOCL=0V fZ/C=25kHz	1.6	1.8	2.0	V
Under-Voltage lockout 発振停止電圧	VF/B(stby stop)	VCC=14V VOCL=0V fZ/C=25kHz	0.6	0.8	1.0	V
Standby reset F/B voltage スタンバイ解除F/B電圧	VF/B(stby reset)	VCC=14V VOCL=0V fZ/C=25kHz	2.7	3	3.3	V
Standby switch voltage スタンバイ切替電圧	VOCL(stby)	VCC=14V VF/B=2.5V fZ/C=25kHz	---	45	---	mV
Standby threshold voltage スタンバイ電流しきい値電圧	VTH(stby)	VCC=14V VF/B=2.5V fZ/C=25kHz	47	57	65	mV

3-4 Electrical/Thermal Characteristics (at Ta=25°C)

3-4 電氣的・熱的特性 (at Ta=25°C)

Item 項目	Symbol 記号	Condition 条件	Ratings 規格値			Unit 単位
			min	typ	max	

ウルトラスタンバイ(Ultra standby mode)

UT charging current UT充電電流	IUT1	VCC=14V VF/B=12kΩ VOCL=0.1V VUT=0 to 1.0V	30	50	75	uA
	IUT2	VCC=14V VF/B=12kΩ VOCL=0.1V VUT=1.0V to VUT(vcc cut off)	230	315	410	uA
VCC cut off voltage VCCカットオフ電圧	VUT(vcc cut off)	VCC=14V VF/B=12kΩ VOCL=0.1V	4.3	4.5	4.8	V
UT reset voltage UTスタンバイ解除電圧	VUT(reset)	VCC=14V VF/B=12kΩ VOCL=0.1V	0.6	0.8	1.0	V
UT charging current switch voltage UTスタンバイ充電電流切替わり 電圧	VUT(charge)	VCC=14V VF/B=12kΩ VOCL=0.1V	0.7	0.9	1.1	V

自動谷飛び(Bottom skip)

Bottom skip start time 谷飛び開始周期	T(bottom skip start)	VCC=14V VF/B=1.5V VOCL=0.1V	6.95	7.7	8.45	μ s
Bottom skip stop time 谷飛び停止周期	T(bottom skip stop)	VCC=14V VF/B=1.5V VOCL=0.1V	12.5	14.3	16.0	μ s
Bottom skip time hysteresis 谷飛び周期ヒステリシス	T(bottom skip hys)	VCC=14V VF/B=1.5V VOCL=0.1V	---	6.5	---	μ s
Bottom skip frequency 谷飛び回数	F(bottom skip)	VCC=14V VF/B=1.5V VOCL=0.1V	---	1	---	count

タイマーラッチ(Timer latch)

Timer latch count ラッチカウント	T(latch count)	VCC=14V VF/B=5V VOCL=0V fZ/C=20kHz	1.7	2.0	2.3	s
Timer latch count start voltage ラッチカウント開始電圧	VF/B(latch count)	VCC=14V VOCL=0V fZ/C=20kHz	4.2	4.6	4.9	V

3-5 Electrical/Thermal Characteristics (at Ta=25°C)

3-5 電氣的・熱的特性 (at Ta=25°C)

Item 項目	Symbol 記号	Condition 条件	Ratings 規格値			Unit 単位
			min	typ	max	

ソフトドライブ(Soft drive)

Clamp voltage クランプ電圧	VG(clamp)	VCC=14V VF/B=2.5V VOCL=0V	10.7	12.0	13.2	V
Trigger voltage トリガー電圧	VG(trigger)	VCC=14V VF/B=2.5V VOCL=0V	6.3	7.0	7.7	V
Trigger current トリガー電流	IG(trigger)	VCC=14V VF/B=2.5V VOCL=0V VG=4V	-36	-29	-22	mA
Source current ソース電流	IG(source)	VCC=14V VF/B=2.5V VOCL=0V VG=10V	-4.5	-3.6	-2.5	mA
Sink current シンク電流	IG(sink)	VCC=14V VF/B=0V VOCL=0V VG=5V	190	270	350	mA

ソフトスタート(Soft start mode)

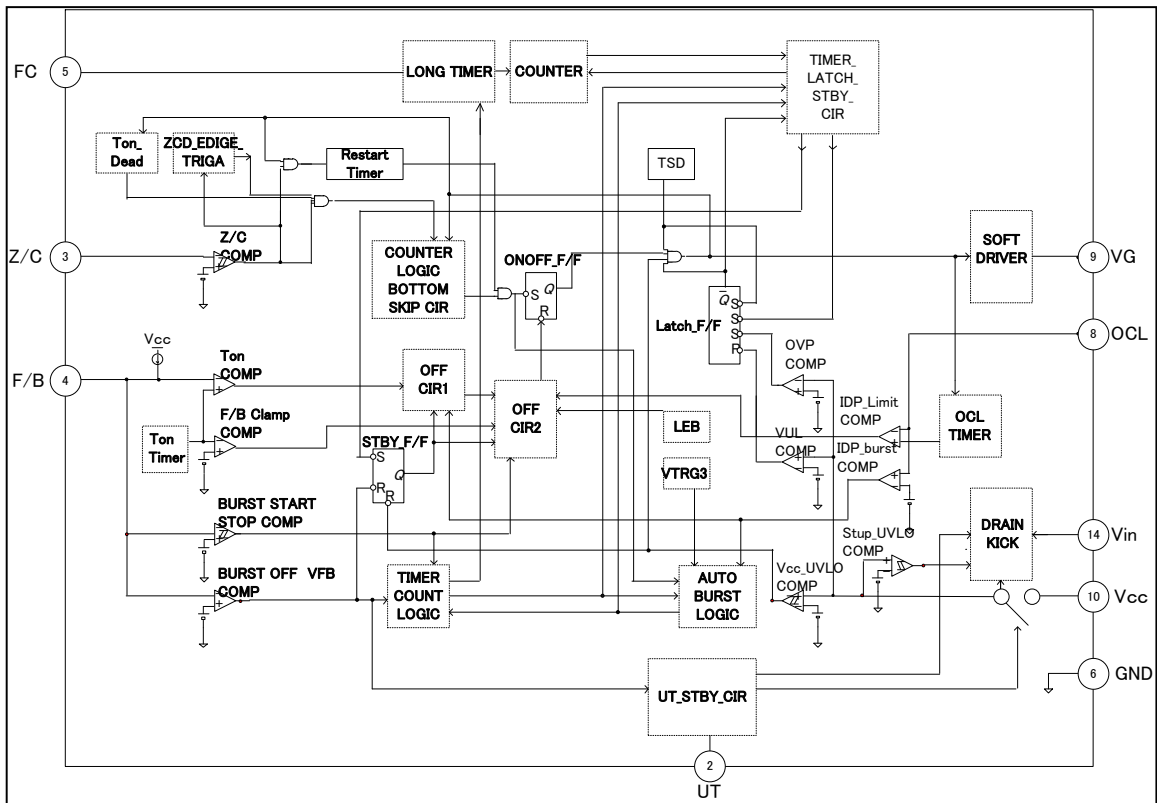
SS threshold voltage1 ソフトスタートしきい値電圧1	Vss1	VCC=14V VF/B=2.5V fZ/C=25kHz t=Tss1, Tss(stby return)1, Tss(ut return)1	25	45	65	mV
SS threshold voltage2 ソフトスタートしきい値電圧2	Vss2	VCC=14V VF/B=2.5V fZ/C=25kHz t=Tss2 t=Tss2, Tss(stby return)2, Tss(ut return)2	60	100	140	mV
SS threshold voltage3 ソフトスタートしきい値電圧3	Vss3	VCC=14V VF/B=2.5V fZ/C=25kHz t=Tss1 t=Tss3, Tss(stby return)3, Tss(ut return)3	280	350	420	mV
SS time ソフトスタート時間	Tss1	VCC=14V VF/B=2.5V fZ/C=25kHz VOCL=Vss1	30	45	60	ms
	Tss2	VCC=14V VF/B=2.5V fZ/C=25kHz VOCL=Vss2	20	35	50	ms
	Tss3	VCC=14V VF/B=2.5V fZ/C=25kHz VOCL=Vss3	20	35	50	ms
Soft start time when standby returns スタンバイ復帰時ソフトスタート時間	Tss(stby return)1	VCC=14V VF/B=3.5V fZ/C=25kHz VOCL=Vss1	---	0.7	---	ms
	Tss(stby return)2	VCC=14V VF/B=3.5V fZ/C=25kHz VOCL=Vss2	---	0.5	---	ms
	Tss(stby return)3	VCC=14V VF/B=3.5V fZ/C=25kHz VOCL=Vss3	---	0.5	---	ms
Soft start time when UT returns UT復帰時ソフトスタート時間	Tss(UT return)1	VCC=14V VF/B=3.5V fZ/C=25kHz VOCL=Vss1	---	10	---	ms
	Tss(UT return)2	VCC=14V VF/B=3.5V fZ/C=25kHz VOCL=Vss2	---	8	---	ms
	Tss(UT return)3	VCC=14V VF/B=3.5V fZ/C=25kHz VOCL=Vss3	---	8	---	ms

その他 (Others)

Restart time リスタートタイム	Trestart	VCC=14V VF/B=2.5V VOCL=0.1V	15	35	60	μs
	Trestart(ocl)	VCC=14V VF/B=2.5V VOCL=0.4V	130	190	250	μs
On dead time オンデッドタイム	Tondead	VCC=14V VF/B=2.5V VOCL=0.4V	1	2	3	μs
Thermal shutdown temperature(※) サーマルシャットダウン(※)	TSD	VCC=14V VF/B=2.5V	---	150	---	°C
Thermal resistance 熱抵抗	θjc	ガラエポ基板: 114.3mm×76.2mm, 厚さ: 1.6mm, 内面銅箔サイズ 74.2mm×74.2mm, 厚さ: 35μm	---	---	30	°C/W
	θja	Glass-Epoxy Board: 114.3mm×76.2mm, Thickness: 1.6mm inside copper foil 74.2mm×74.2mm, Thickness: 35μm	---	---	160	°C/W

(※)design assurance

4 Block Diagram
4 ブロック図

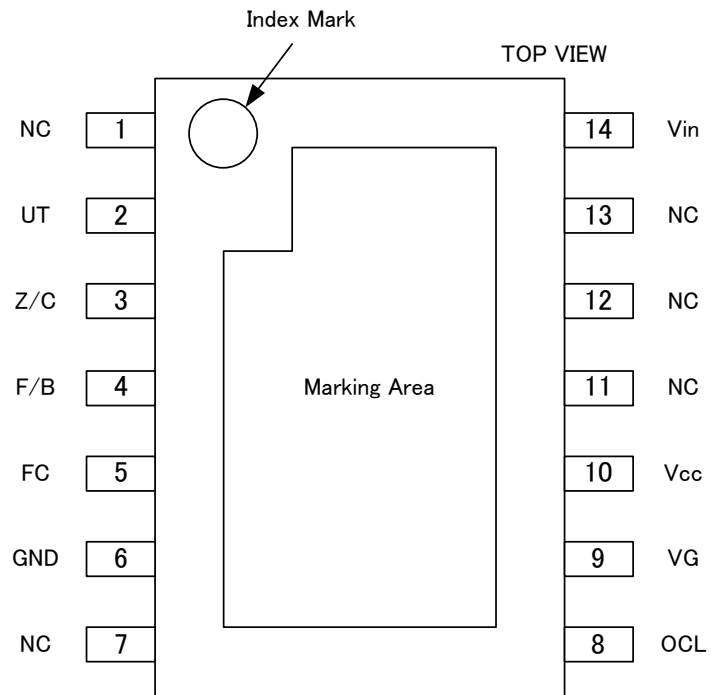


Terminal No. 端子番号	Symbol 記号	Terminal Name 端子名称
2	UT	Ultra Standby Terminal ウルトラスタンバイ端子
3	Z/C	Zero Current Detection Terminal ゼロ電流検出端子
4	F/B	Feed Back Terminal フィードバック端子
5	FC	Function Terminal 機能端子
6	GND	Ground Terminal グランド端子
8	OCL	Over Current Limit Terminal オーバーカレントリミット端子
9	VG	VG Terminal VG端子
10	Vcc	Vcc Terminal Vcc端子
14	Vin	Vin Terminal Vin端子

Notes : 1, 7, 11, 12, and 13 pin are Non-Connection terminals.
注意 : 1, 7, 11, 12, 13端子はNC端子です

Notes : Please connect Function Terminal to Ground Terminal.
注意 : 機能端子はグランド端子に接続して下さい。

5 PIN Assignment
5 端子配置

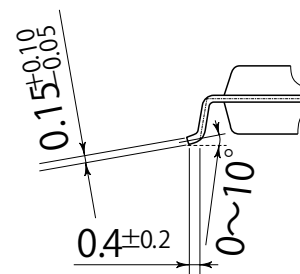
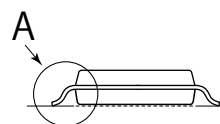
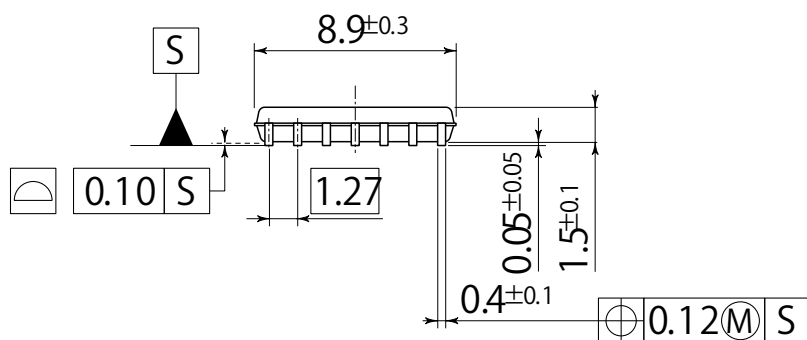
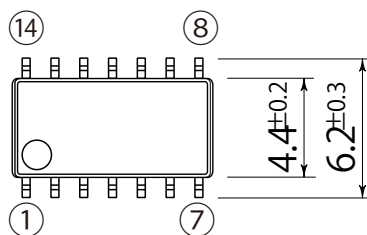


Package Outline-Dimensions

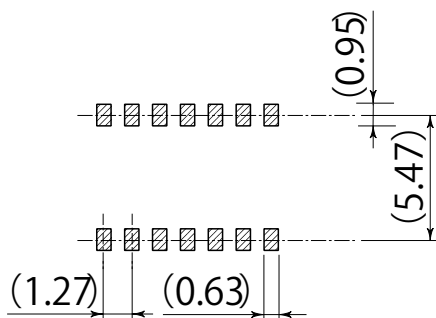
unit : mm
scale: 3/1

L4

JEDEC Code	-
JEITA Code	-
House Name	SOP14



Detail A



Referential Soldering Pad

- 量産時には、適正化を図って下さい
- Optimize soldering pad to the board design and soldering condition.

- 本資料の記載内容は、改良のため予告なく変更することがあります
- ご使用にあたりましては、別途仕様書を必ずご請求下さい
- The content specified herein is subject to change for improvement without notice.
- If you wish to use any such products, please be sure to refer to the specifications.

U182(2019.02)

Notes

1. If you wish to use any such product, please be sure to refer to the specifications issued by Shindengen.
2. All products described or contained herein are designed with a quality level intended for use in standard applications requiring an ordinary level of reliability. If these products are to be used in equipment or devices for special or specific applications requiring an extremely high grade of quality or reliability in which failures or malfunctions of products may directly affect human life or health, a local Shindengen office must be contacted in advance to confirm that the intended use of the product is appropriate. Shindengen products are grouped into the following three applications according to the quality grade.
 - 【Standard applications】
Computers, office automation and other office equipment, communication terminals, test and measurement equipment, audio/visual equipment, amusement equipment, consumer electronics, machine tools, personal electronic equipment, industrial equipment, etc.
 - 【Special applications】
Transportation equipment (vehicles, ships, etc.), trunk-line communication equipment, traffic signal control systems, anti-disaster/crime systems, safety equipment, medical equipment, etc.
 - 【Specific applications】
Nuclear reactor control systems, aircraft, aerospace equipment, submarine repeaters, life support equipment and systems, etc.
3. Although Shindengen continuously endeavors to enhance the quality and reliability of its products, customers are advised to consider and take safety measures in their design, such as redundancy, fire containment and anti-failure, so that personal injury, fires, or societal damages can be prevented.
4. Please note that all information described or contained herein is subject to change without notice due to product upgrades and other reasons. When buying Shindengen products, please contact the Company's offices or distributors to obtain the latest information.
5. Shindengen shall not bear any responsibility with regards to damages or infringement of any third-party patent rights and other intellectual property rights incurred due to the use of information on this website.
6. The information and materials on this website neither warrant the use of Shindengen's or any third party's patent rights and other intellectual property rights, nor grant license to such rights.
7. In the event that any product described or contained herein falls under the category of strategic products controlled under the Foreign Exchange and Foreign Trade Control Law of Japan, exporting of such products shall require an export license from the Japanese government in accordance with the above law.
8. No reprinting or reproduction of the materials on this website, either in whole or in part, is permitted without proper authorization from Shindengen.