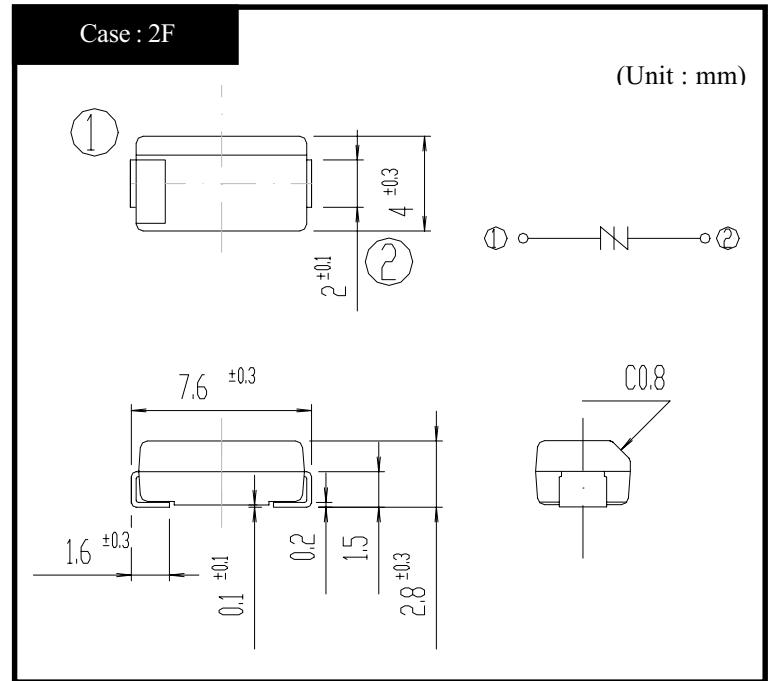


# KP4N12

### OUTLINE DIMENSIONS



### RATINGS

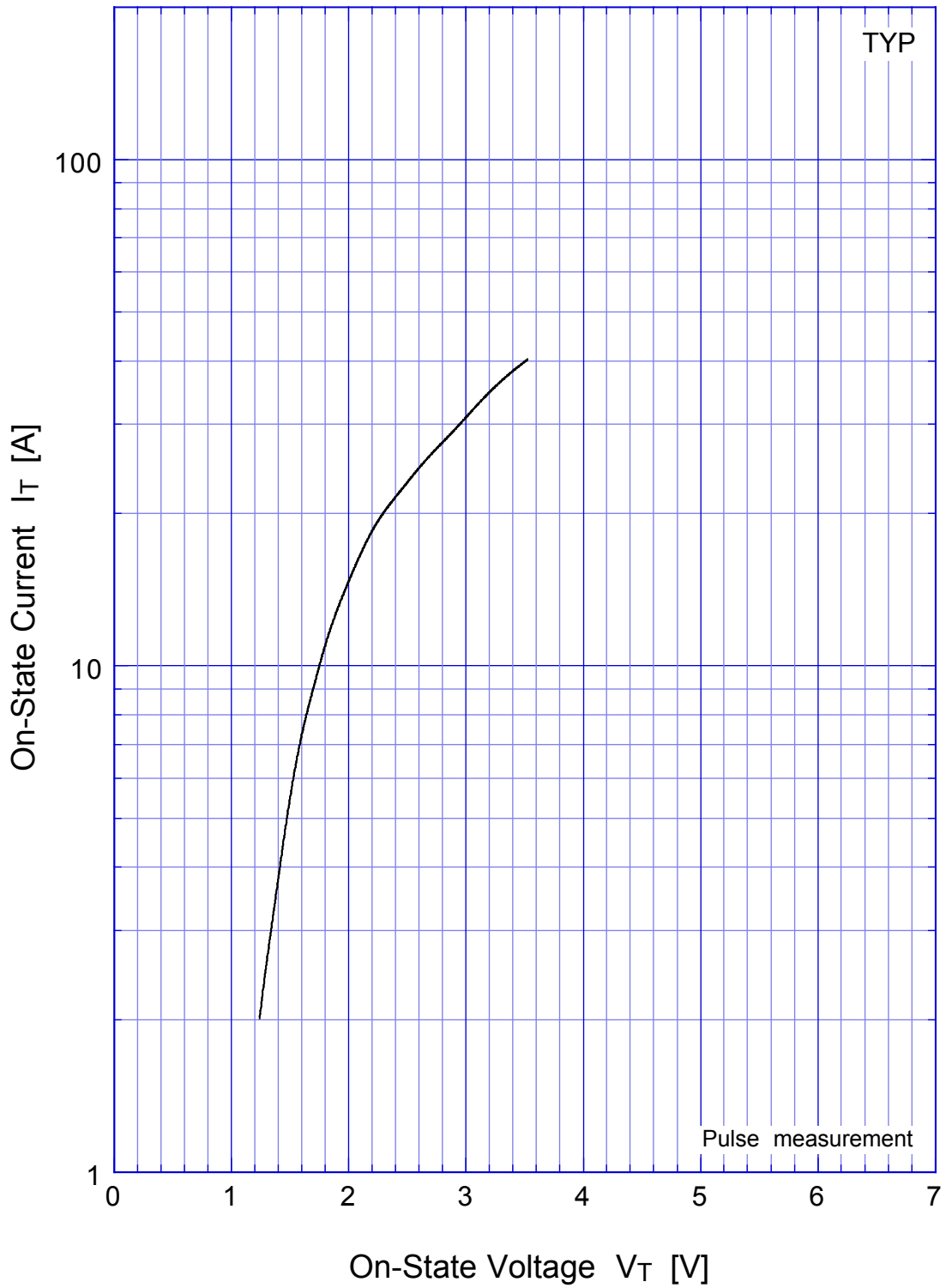
#### ● Absolute Maximum Ratings

Item	Symbol	Conditions	Ratings	Unit
Storage Temperature	$T_{stg}$		-40~125	°C
Junction Temperature	$T_j$		125	°C
Maximum Off-State Voltage	$V_{DRM}$		100	V
Surge On-State Current	$I_{TSM}$	10/1000 $\mu$ s, Non-repetitive	40	A
		10/200 $\mu$ s, Non-repetitive	60	
		8/20 $\mu$ s, Non-repetitive	150	

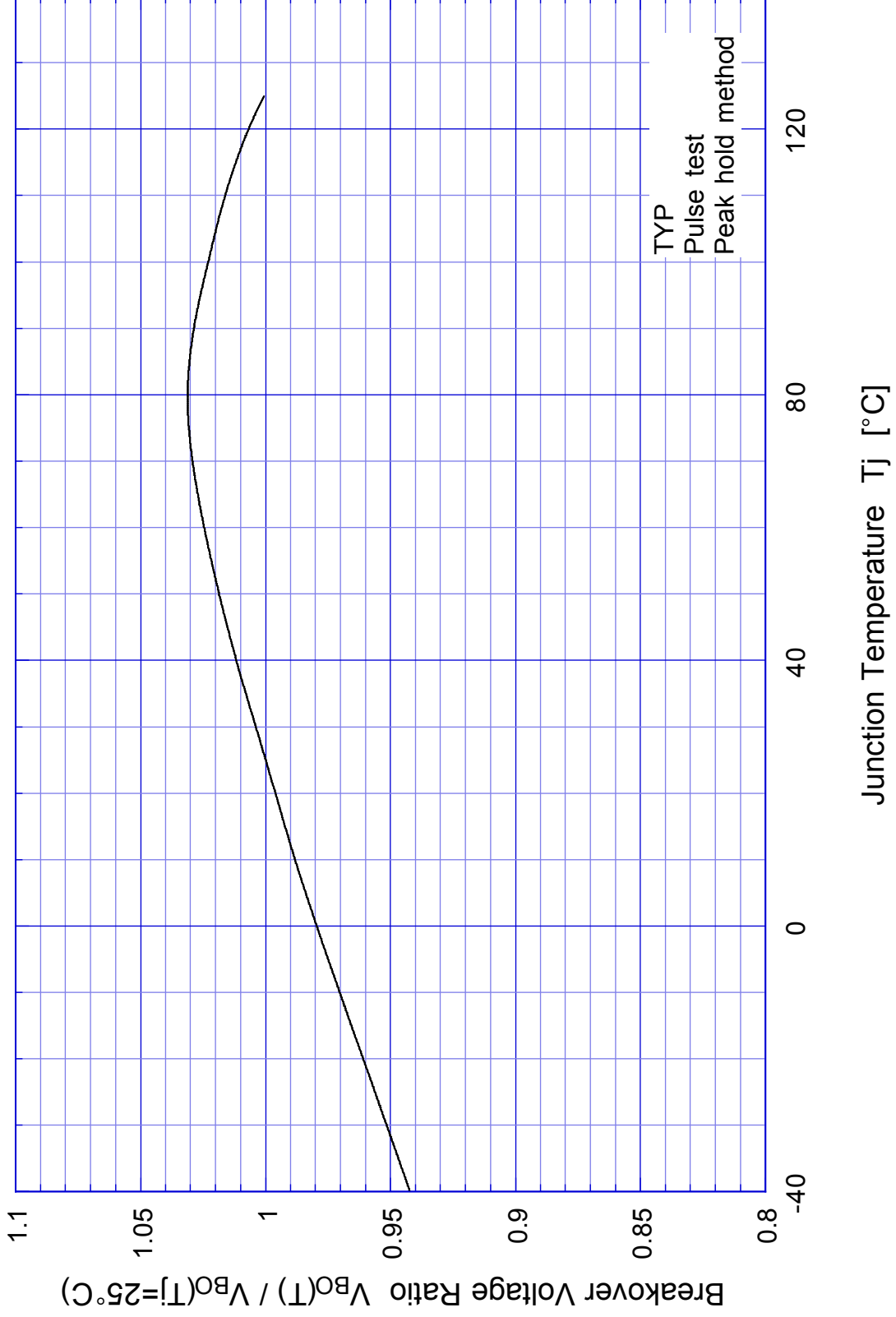
#### ● Electrical Characteristics (Tl=25°C)

Item	Symbol	Conditions	Ratings	Unit
Breakover Voltage	$V_{BO}$	Pulse measurement (Peak hold)	Min 110	V
Off-State Current	$I_{DRM}$	$V_D = V_{DRM}$	Max 10	$\mu$ A
Holding Current	$I_H$	Pulse measurement	Min 100	mA
On-State Voltage	$V_T$	$I_T = 2A$	TYP 1.25	V
Junction Capacitance	$C_j$	f = 1kHz OSC = 1V, $V_D = 50V$	Max 50	pF
Clamping Voltage	$V_{CL}$	$dv/dt = 100V/\mu s$	Max 135	V

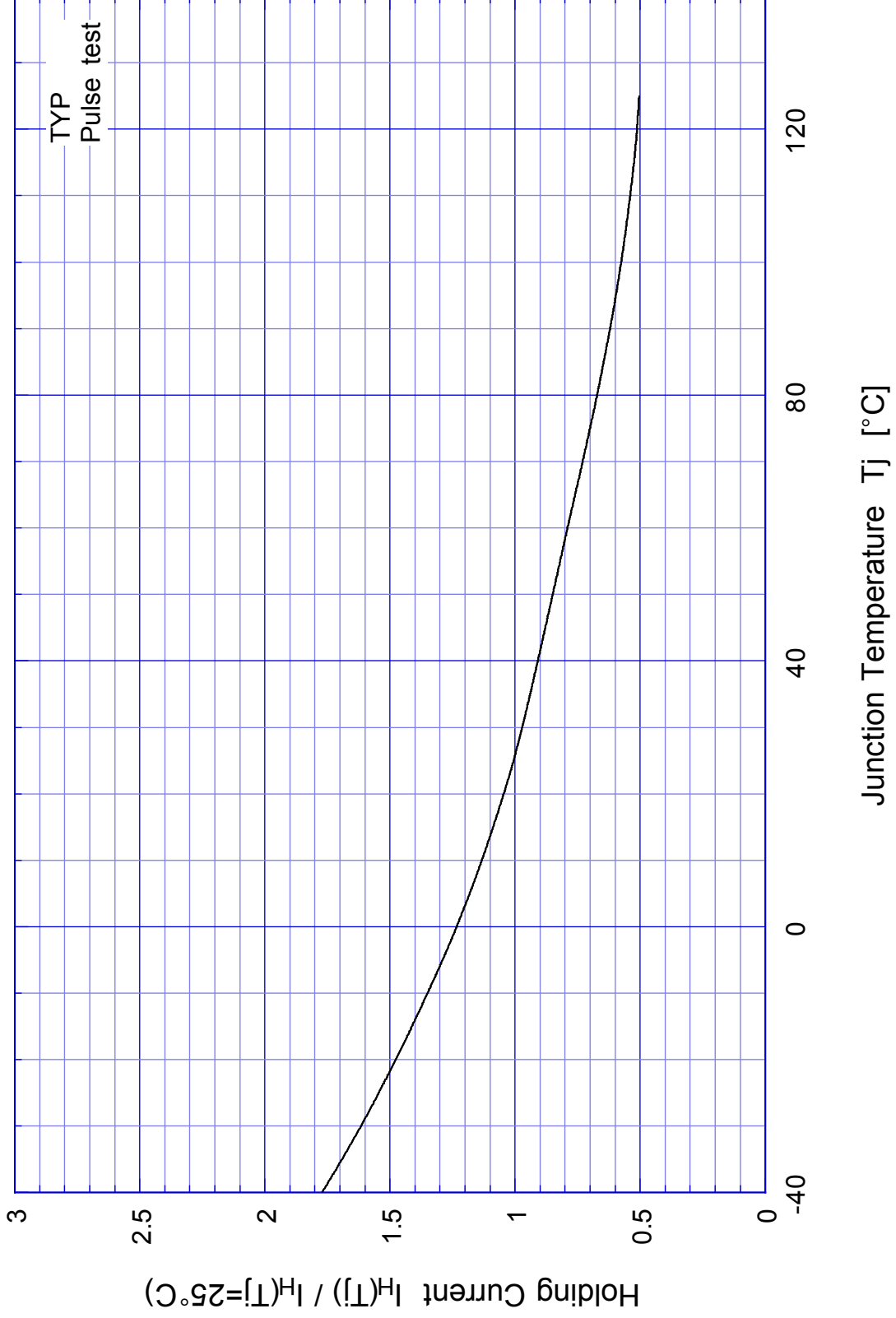
KP4N12 On-State Voltage - On-State Current



# KP4N12 Breakover Voltage - Junction Temperature

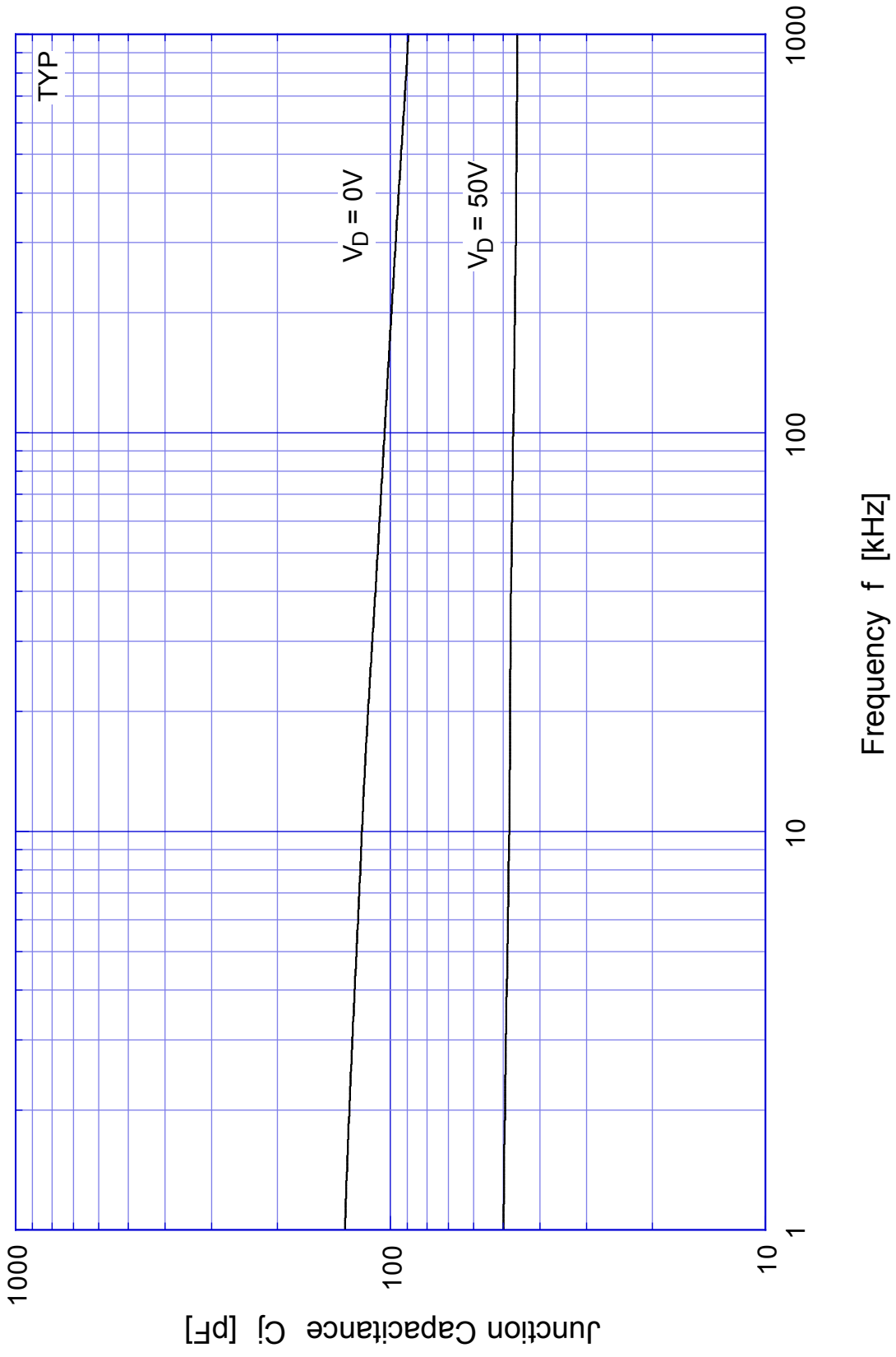


# KP4N12 Holding Current - Junction Temperature

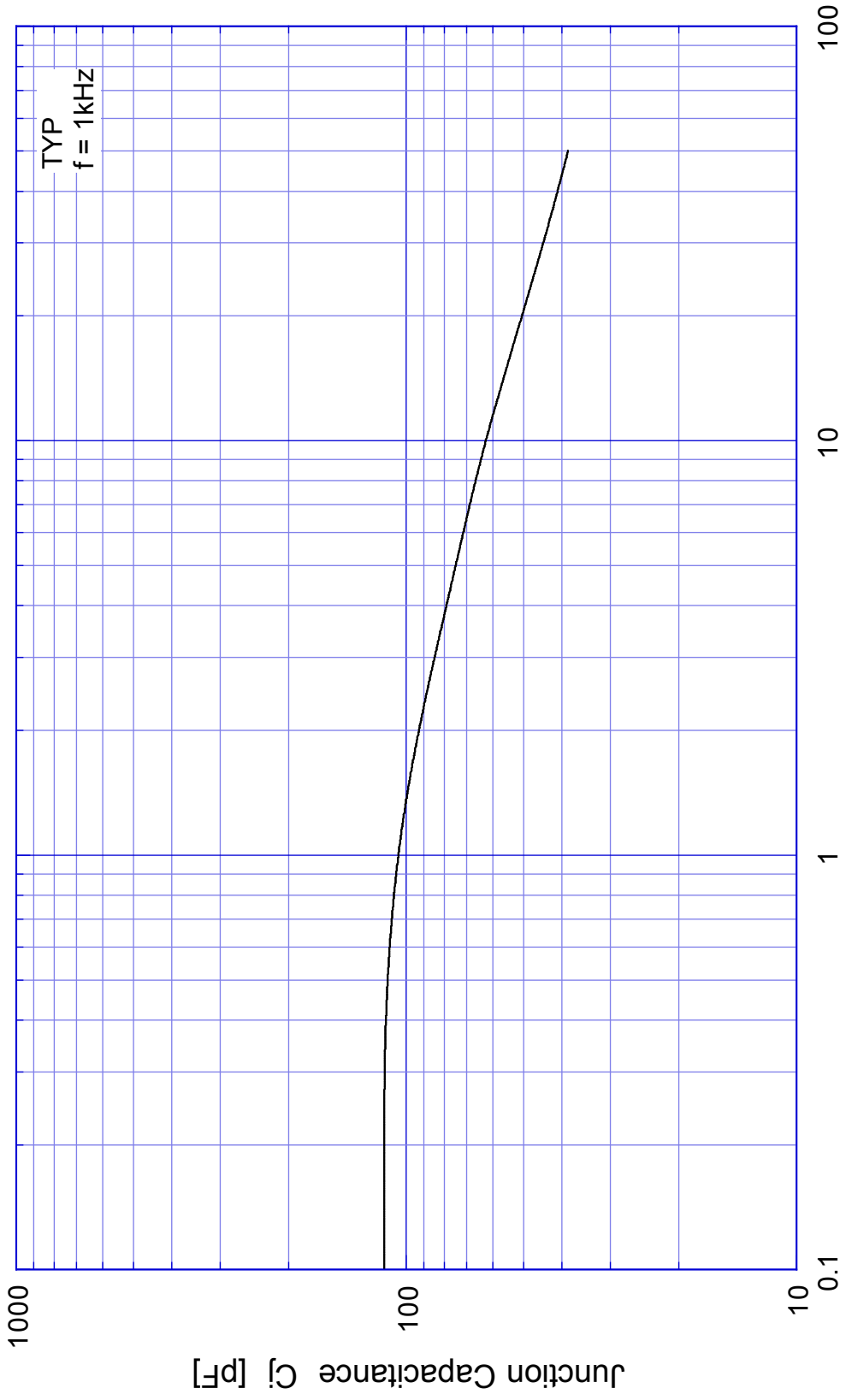


# KP4N12

## Junction Capacitance



# KP4N12 Junction Capacitance



Off-State Applied Voltage  $V_D$  [V]