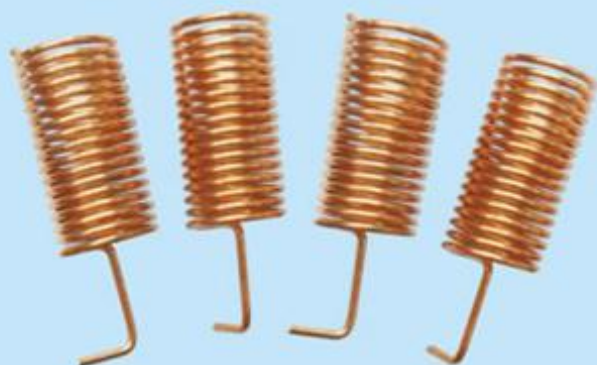


433MHz Copper spring antenna

Product Specification



Catalogue

1. Description.....	- 3 -
2. Technical Parameter.....	- 3 -
3. Size.....	- 3 -
4. VSWR Chart.....	- 3 -

Note: Revision History

Revision	Date	Comment
V1.0	2013-05	First release
V2.0	2016-06	Typesetting, measurements revised
V2.1	2017-06	Logo updated
V2.2	2018-6	Correct the wire diameter
V2.3	2020-11	logo and product description updated

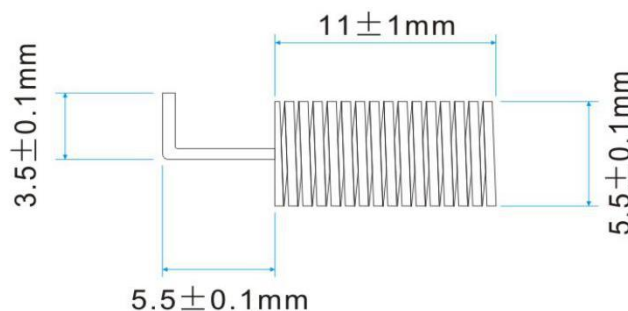
1. Description

SW433-TH10, copper spring antenna, designed specially for 433MHz wireless communication, it has good VSWR, Compact dimensions, easy installation, stable performance, with good anti-vibration and anti-aging ability.

2. Technical Parameter

- Frequency Range: 433 ± 5 MHz
- VSWR: ≤ 1.8
- Gain: 2.15 dBi
- Input impedance: 50Ω
- Wire diameter: 0.5mm
- Max power: 5 W
- Height: 11.3 ± 1 mm
- Interface form: welding directly
- Antenna Color: copper
- Weight: 2 g

3. Size (Unit:mm)



4. VSWR Chart

Antennas have been tested under wireless simulated environment by Network Analyzer.

